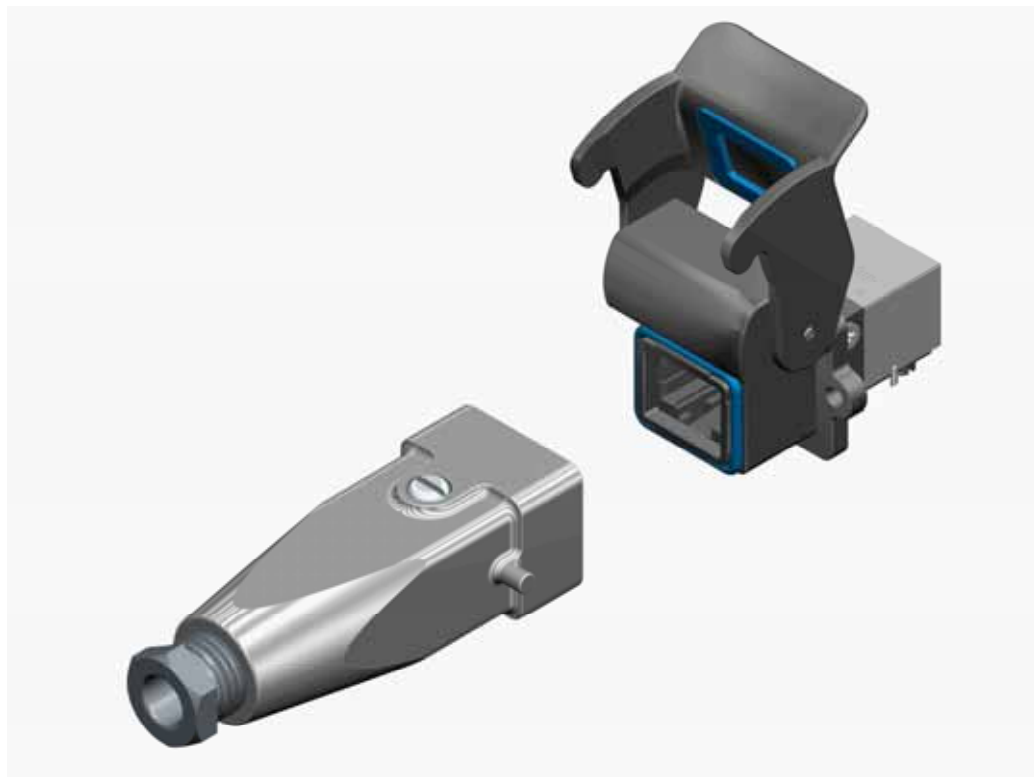


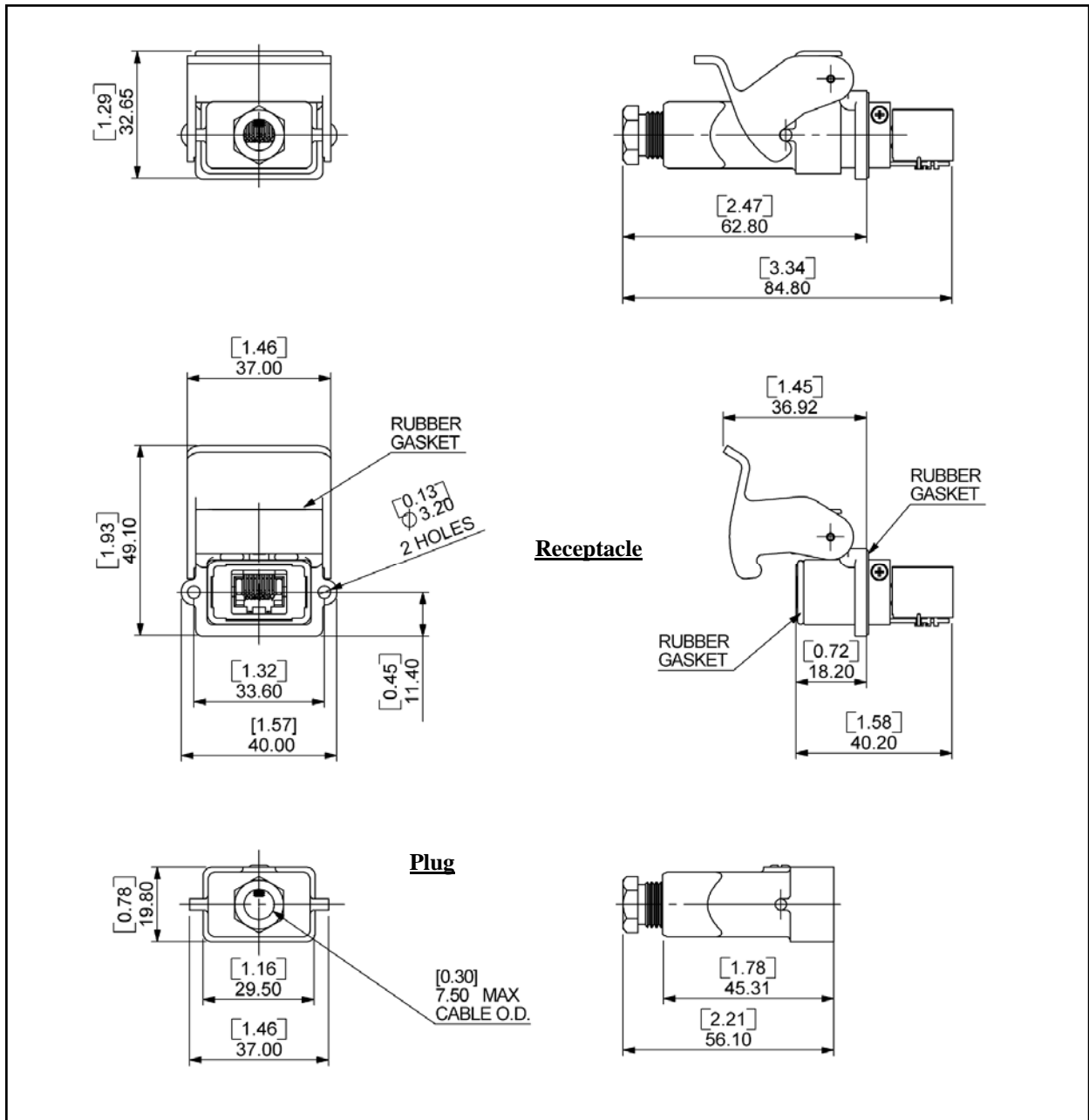
Rugged Industrial/Military RJ & USB Connector

IP67



Features:

- Built in spring loaded dust cover with gasket provides environmental protection in the unmated condition.
- Dust cover acts additionally as a positive locking mechanism to the mating plug.
- Die cast aluminum housing for extra robustness (nickel or olive drab finish).
- Available with RJ, USB or power connector configuration.
- Plug accepts wire size as large as 22 AWG for rugged applications.
- Easy field termination with solder connection or with a built in terminal block.



Receptacle termination can be an RJ, USB or discrete wires.

Ordering Information:

ID750-RJ-RXXX
 ID750-RJ-PXXX
 ID750-USB-RXXX
 ID750-USB-PXXX
 ID750-PW-RXXX
 ID750-PW-PXXX

RJ Receptacle
 RJ Plug
 USB Receptacle
 USB Plug
 4 Pin Power Receptacle
 4 Pin Power Plug