

EKO TECH CO. LTD.

MAGNETIC COMPONENTS

www.eko.com.tw

INDEX

DIP

Telecom & T3/DS3/E3/STS-1 & T1/CEPT/ISDN-PRI Transformer

AD04XXX	3 — 4
TD10XXX	5 — 6
TB12XXX	7 — 8
TD16XXX	9 — 10

10/100 Base-T Transformer

MX12XXX	11 — 15
MX16XXX	16 — 25
MX20XXX	26 — 30
MC24XXX	31 — 32
MX40XXX	33 — 37
MC48XXX	38 — 39
MX50XXX	40 — 43
MX72XXX	44 — 46

10/100/1000 Base-T Transformer

GX18XXX	47 — 50
GX24XXX	51 — 54
GX36XXX	55 — 61
GX48XXX	62 — 68
GX72XXX	69 — 77
GB88XXX	78 — 88
GD9001D	89 — 90
GX96XXX	91 — 94
GB144XXX	95 — 97

SMD

Telecom & T3/DS3/E3/STS-1 & T1/CEPT/ISDN-PRI Transformer

TS04XXX	98 — 100
TS06XXX	101 — 103
TS12XXX	—
TS32XXX	104 — 106
TX40XXX	107 — 109
TS48XXX	110 — 114
TS16XXX	115 — 116
TS24XXX	117 — 123

Choke 124 125

CS08XXX	126 — 129
CS16XXX	130 — 133

10/100 Base-T Transformer

MS12XXX	134 — 136
MS16XXX	137 — 151
MS40XXX	152 — 155

10/100/1000 Base-T Transformer

GS24XXX	156 — 178
GS48XXX	179 — 192
GS50XXX	193 — 204

10G Base-T Transformer

NS24XXX	205 — 207
---------------	-----------

EKO TECH CO. LTD.

TRANSFORMER FOR DIGITAL AUDIO DATA

Models Match To Leading Transceiver IC's.

Available In Standard & Extended Temperature.

Low Profile Surface Mount Packaging Designed For Hi-Temp Reflow Process (245 °C Peak).

For RoHS Compliance.

ELECTRICAL SPECIFICATIONS @ 25°C - Operating Temperature 0°C to 70°C

Part Number	Turns Ratio +/-3%	Primary Pins	Open Oct Inductance OCL(mH min)	Interwinding Capacitance Cw/w(pF max)	Leakage Inductance L/L(uH max)	DCR (Ω max)	
						Pri	Sec
AD0401D	1CT:1.26CT	1-2 , 3-4	3.5	20	1	0.7	1.0

Note : Isolation Voltage (HiPot) of 1500Vrms

NOTE. DIMENSIONS:MM(INCHES)/UNLESS OTHERWISE SPECIFIED ALL TOLERANCES ARE ±0.25(0.010).

EKO TECH CO. LTD.

HEAD OFFICE :

5F-1, 128, Xinhu 2nd. Rd.,

Neihu Chiu, Taipei, Taiwan 114

TEL : 886- 2- 2791- 9208

FAX : 886- 2- 2791- 9271

Email : sales@eko.com.tw

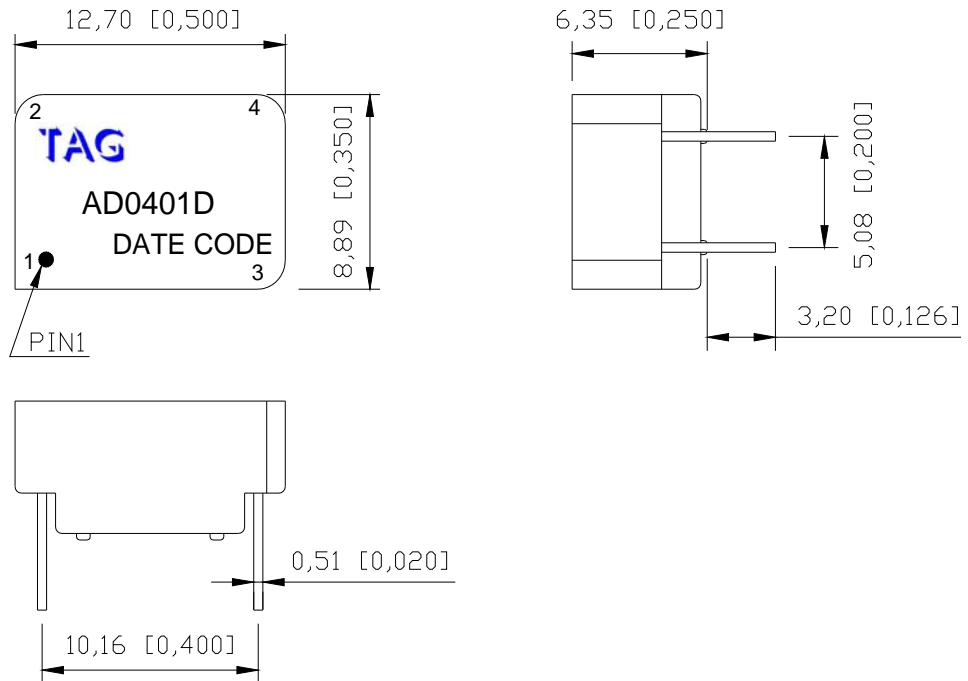
Data subject to change without notice.Please contact Tag for assistance locating product specifications

EKO TECH CO. LTD.

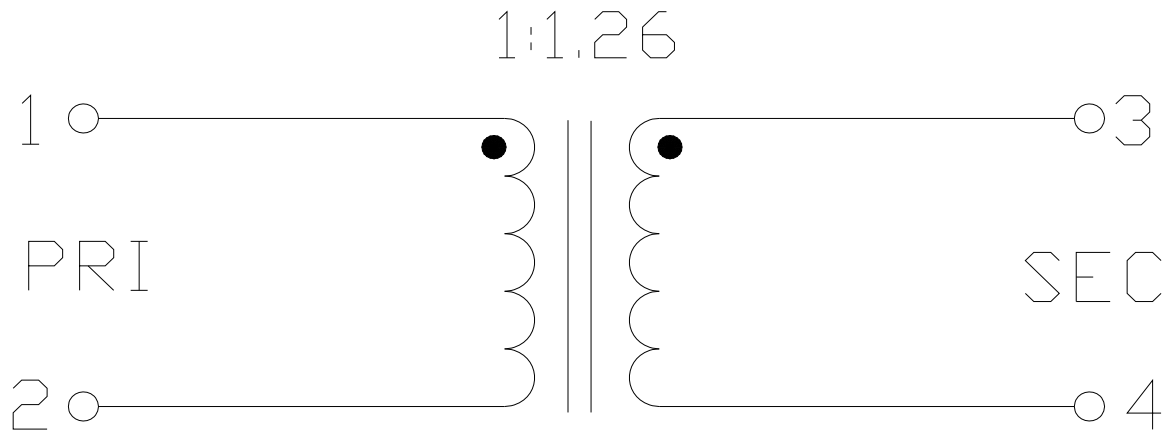
TRANSFORMER FOR DIGITAL AUDIO DATA

MECHANICAL SPECIFICATIONS

AD0401D



AD0401D



EKO TECH CO. LTD.

HEAD OFFICE :

5F-1, 128, Xinhua 2nd. Rd.,

Neihu Chiu, Taipei, Taiwan 114

TEL : 886- 2- 2791- 9208

FAX : 886- 2- 2791- 9271

Email : sales@eko.com.tw

Data subject to change without notice. Please contact Tag for assistance locating product specifications

EKO TECH CO. LTD.

T1/CEPT/ISDN-PRI TRANSFORMER

Models Match To Leading Transceiver IC's.

Available In Standard & Extended Temperature.

Low Profile Surface Mount Packaging Designed For Hi-Temp Reflow Process (245 °C Peak).

For RoHS Compliance.

ELECTRICAL SPECIFICATIONS @ 25°C - Operating Temperature 0°C to 70°C

Part Number	Turns Ratio	Primary	Open Oct Inductance	Interwinding Capacitance	Leakage Inductance	DCR (Ω max)	
						Pri	Sec
	+/-3%	Pins	OCL(mH min)	Cw/w(pF max)	L/L(uH max)		
TD1001DR	1CT:2CT	1-5 , 10-6	1.2	15	0.8	0.7	1.1

Note : Isolation Voltage (HiPot) of 1500Vrms

NOTE. DIMENSIONS:MM(INCHES)/UNLESS OTHERWISE SPECIFIED ALL TOLERANCES ARE $\pm 0.25(0.010)$.

EKO TECH CO. LTD.

HEAD OFFICE :

5F-1, 128, Xinhu 2nd. Rd.,

Neihu Chiu, Taipei, Taiwan 114

TEL : 886- 2- 2791- 9208

FAX : 886- 2- 2791- 9271

Email : sales@eko.com.tw

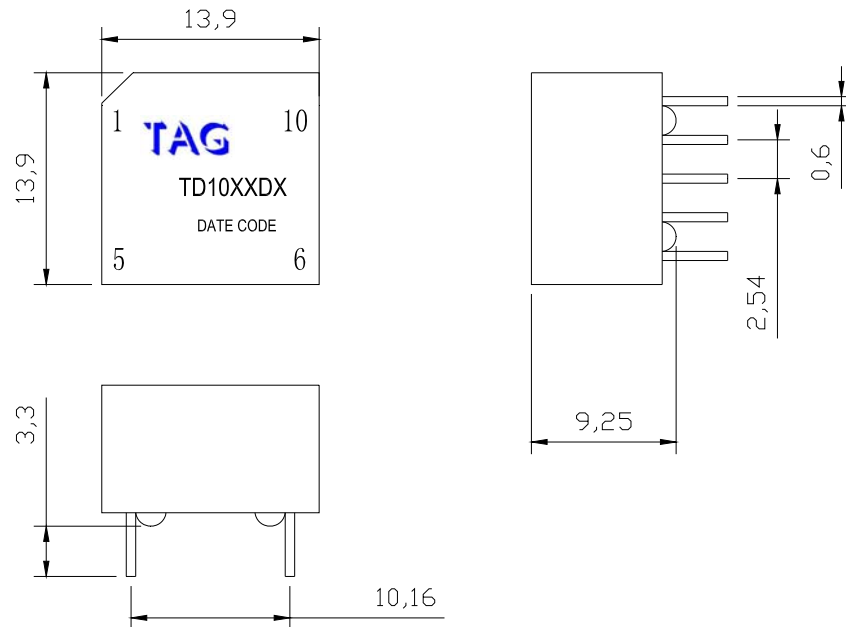
Data subject to change without notice. Please contact Tag for assistance locating product specifications

EKO TECH CO. LTD.

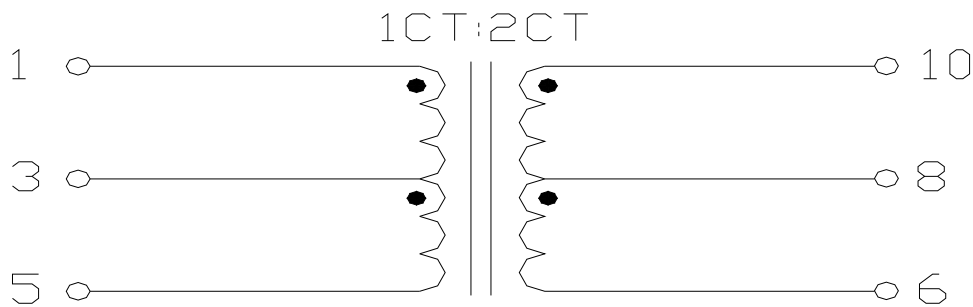
T1/CEPT/ISDN-PRI TRANSFORMER

MECHANICAL SPECIFICATIONS

TD10XXDX



TD1001DR



EKO TECH CO. LTD.

HEAD OFFICE :

5F-1, 128, Xinhua 2nd. Rd.,

Neihu Chiu, Taipei, Taiwan 114

TEL : 886- 2- 2791- 9208

FAX : 886- 2- 2791- 9271

Email : sales@eko.com.tw

Data subject to change without notice. Please contact Tag for assistance locating product specifications

EKO TECH CO. LTD.

T1/CEPT/ISDN-PRI TRANSFORMER

Models Match To Leading Transceiver IC's.

Available In Standard & Extended Temperature.

Low Profile Surface Mount Packaging Designed For Hi-Temp Reflow Process (245 °C Peak).

For RoHS Compliance.

ELECTRICAL SPECIFICATIONS @ 25°C - Operating Temperature 0°C to 70°C

Part Number	Turns Ratio	Return Loss (dB min)					Crosstalk (dB min)	
		2-30MHz	60MHz	80MHz	1MHz	1-30MHz	30-60MHz	60-100MHz
TB1201A	22CT:18CT/10CT:17CT	-16	-12	-10	-55	-45	-40	-33

Note : Isolation Voltage (HiPot) of 1500Vrms

NOTE. DIMENSIONS:MM(INCHES)/UNLESS OTHERWISE SPECIFIED ALL TOLERANCES ARE $\pm 0.25(0.010)$.

EKO TECH CO. LTD.

HEAD OFFICE :

5F-1, 128, Xinhu 2nd. Rd.,

Neihu Chiu, Taipei, Taiwan 114

TEL : 886- 2- 2791- 9208

FAX : 886- 2- 2791- 9271

Email : sales@eko.com.tw

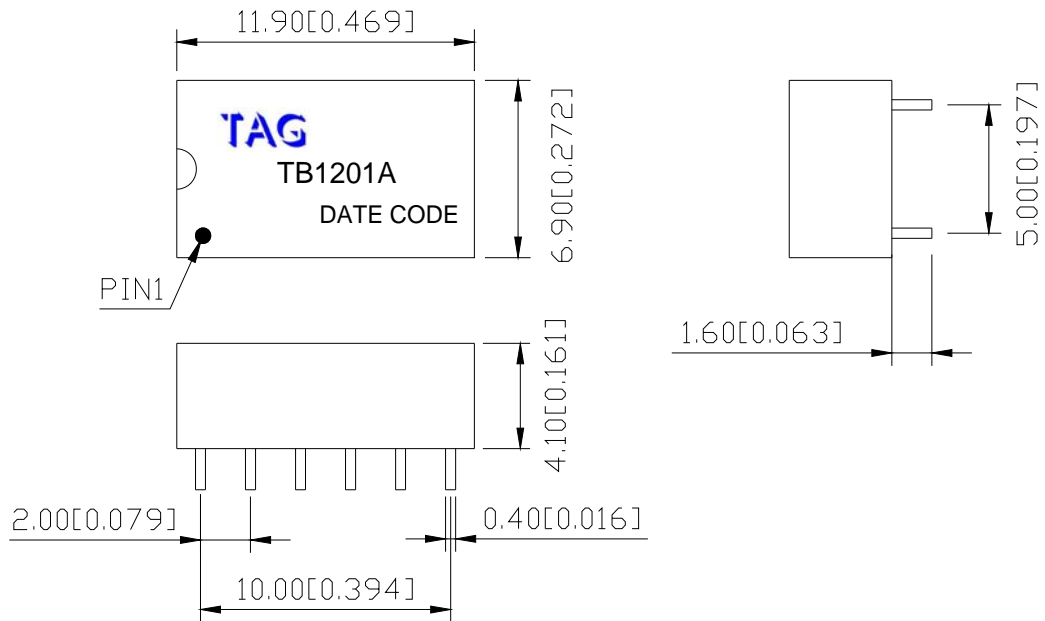
Data subject to change without notice. Please contact Tag for assistance locating product specifications

EKO TECH CO. LTD.

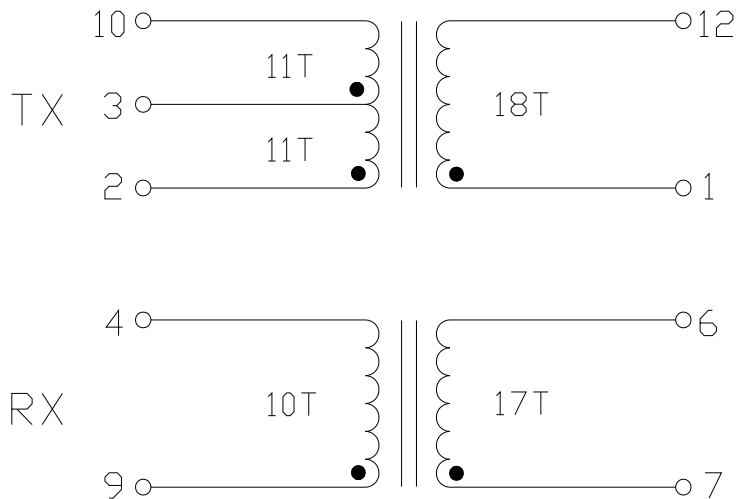
T1/CEPT/ISDN-PRI TRANSFORMER

MECHANICAL SPECIFICATIONS

TB1201A



TB1201A



EKO TECH CO. LTD.

HEAD OFFICE :

5F-1, 128, Xinhu 2nd. Rd.,

Neihu Chiu, Taipei, Taiwan 114

TEL : 886- 2- 2791- 9208

FAX : 886- 2- 2791- 9271

Email : sales@eko.com.tw

EKO TECH CO. LTD.

T1/CEPT/ISDN-PRI TRANSFORMER

Models Match To Leading Transceiver IC's.

Available In Standard & Extended Temperature.

Low Profile Surface Mount Packaging Designed For Hi-Temp Reflow Process (245 °C Peak).

For RoHS Compliance.

ELECTRICAL SPECIFICATIONS @ 25°C - Operating Temperature 0°C to 70°C

Part Number	Turns Ratio	Primary	Open Oct Inductance	Interwinding Capacitance	Leakage Inductance	DCR (Ω max)	
	+/-3%	Pins	OCL(uH min)	Cw/w(pF max)	L/L(uH max)	Pri	Sec
TD1601D	1CT:1CT	1-13,4-13,7-10	80	10	0.2	0.3	0.3

Note : Isolation Voltage (HiPot) of 1500Vrms

NOTE. DIMENSIONS:MM(INCHES)/UNLESS OTHERWISE SPECIFIED ALL TOLERANCES ARE $\pm 0.25(0.010)$.

EKO TECH CO. LTD.

HEAD OFFICE :

5F-1, 128, Xinhu 2nd. Rd.,

Neihu Chiu, Taipei, Taiwan 114

TEL : 886- 2- 2791- 9208

FAX : 886- 2- 2791- 9271

Email : sales@eko.com.tw

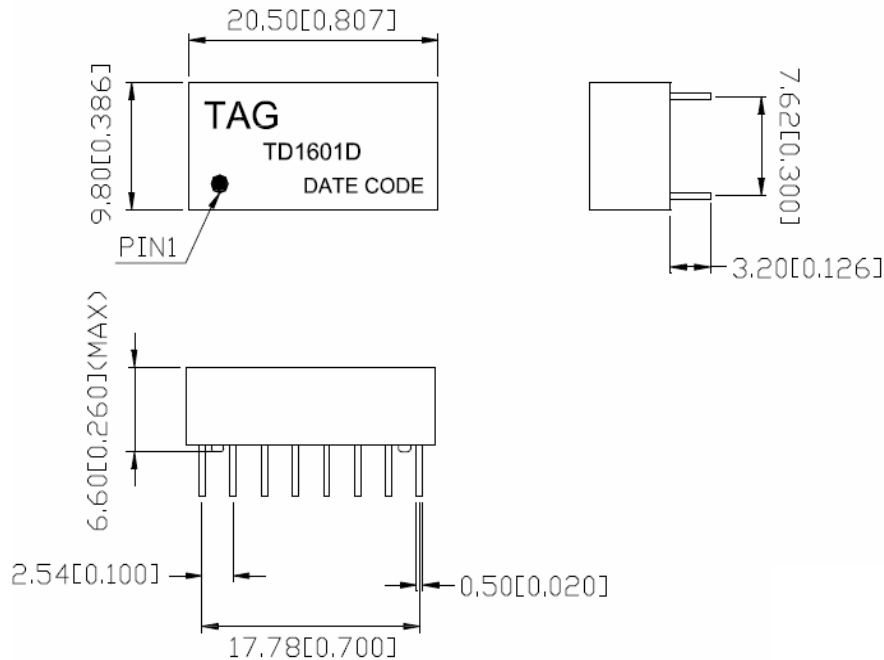
Data subject to change without notice. Please contact Tag for assistance locating product specifications

EKO TECH CO. LTD.

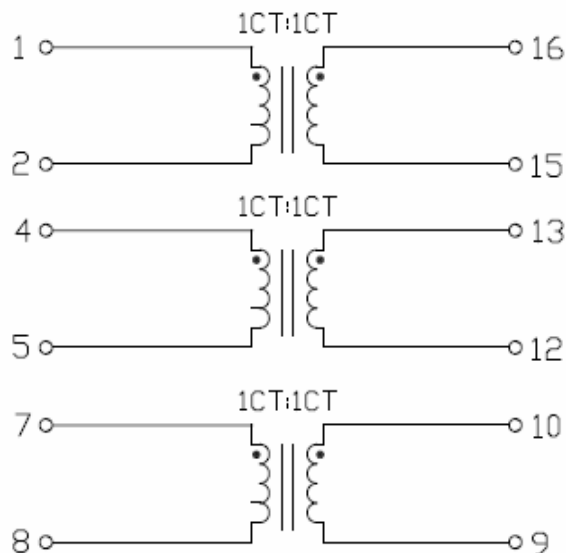
T1/CEPT/ISDN-PRI TRANSFORMER

MECHANICAL SPECIFICATIONS

TD1601D



TD1601D



EKO TECH CO. LTD.

HEAD OFFICE :

5F-1, 128, Xihu 2nd. Rd.,

Neihu Chiu, Taipei, Taiwan 114

TEL : 886- 2- 2791- 9208

FAX : 886- 2- 2791- 9271

Email : sales@eko.com.tw

EKO TECH CO. LTD.

10/100 BASE-T TRANSFORMER MODULES

Compliant With IEEE 802.3 standards including Baseline Wander Compensation specification of 350uH OCL when biased at 8mA from 0°C to 70°C

Single Channel Interface For 10/100Mbps Ethernet Applications with CMC's tuned to enhance EMC system performance.

For RoHS Compliance.

ELECTRICAL SPECIFICATIONS @ 25°C - Operating Temperature 0°C to 70°C

Part Number	Insertion Loss (dB max)		Return Loss (dB min)			Crosstalk (dB min)		CMRR (dB min)		
	1-100MHz	1-40MHz	50MHz	60MHz	60-80MHz	1-30MHz	60-100MHz	1-30MHz	60MHz	80-100MHz
MB1201A	-1.1	-16	-13.1	-12	-12	-40	-35	-42	-35	-35
MD1201B	-1.1	-16	-14.1	-12.5	-10	-40	-33	-40	-35	-28
MD1201BI	-1.1	-16	-14.1	-12.5	-10	-40	-33	-40	-35	-28
MD1201D	-1.1	-16	-14.1	-12.5	-10	-40	-33	-40	-35	-28
MD1201DI	-1.1	-16	-14.1	-12.5	-10	-40	-33	-40	-35	-28
MD1202D	-1.1	-16	-14.1	-12.5	-10	-40	-33	-40	-35	-28
MD1203BP	-1.2	-16	-13	-12	-12	-45	-35	-37	-37	-37
MD1203D	-1.2	-16	-14	-13	-12	-45	-35	-42	-35	-35
MD1203DP	-1.2	-16	-14	-13	-12	-45	-35	-42	-35	-35
MD1204D	-1.1	-16	-14.1	-12.5	-10	-40	-33	-40	-35	-28
MD1205D	-1.1	-16	-14.1	-12.5	-10	-35.8	-28	-40	-35	-30
MD1205B	-1.1	-16	-14.1	-12.5	-10	-35.8	-28	-40	-35	-30
MD1206DP	-1.1	-16	-14.1	-12.5	-10	-35.8	-28	-40	-35	-30
MD1207A	-1.1	-16	-13.1	-12	-12	-40	-40	-40	-40	-40
MB1208A	-1.1	-16	-13.1	-12	-12	-40	-35	-42	-35	-35
MD1208B	-1.1	-16	-13.1	-12	-12	-40	-35	-42	-35	-35
MD1209B	-1.1	-16	-13.1	-12	-12	-40	-35	-42	-35	-35

Note : Isolation Voltage (HiPot) of 1500Vrms

“**I**” with Extended Temperature(-40°C to +85°C)

“**P**” With PoE(720mA Current Capability)

NOTE. DIMENSIONS:MM(INCHES)/UNLESS OTHERWISE SPECIFIED ALL TOLERANCES ARE ±0.25(0.010).

EKO TECH CO. LTD.

HEAD OFFICE :

TEL : 886- 2- 2791- 9208

5F-1, 128, Xinhu 2nd. Rd.,

FAX : 886- 2- 2791- 9271

Neihu Chiu, Taipei, Taiwan 114

Email : sales@eko.com.tw

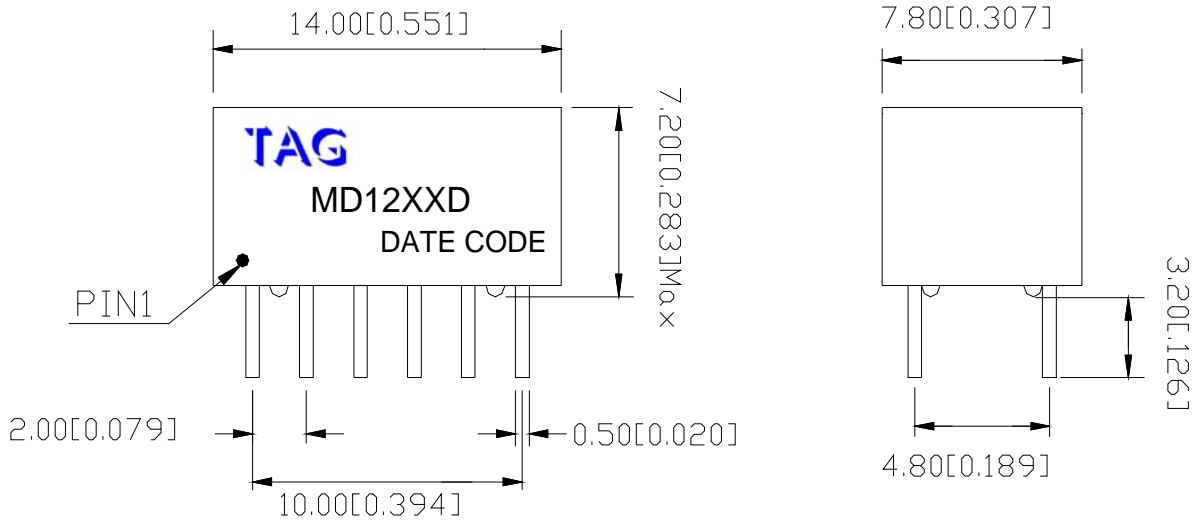
Data subject to change without notice. Please contact Tag for assistance locating product specifications

EKO TECH CO. LTD.

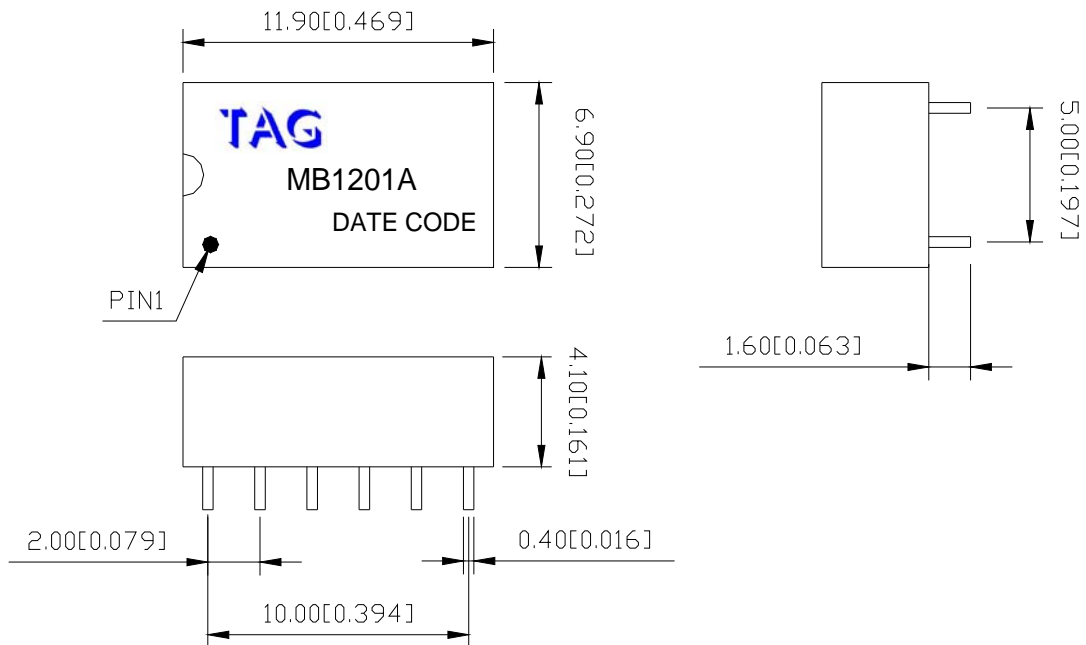
10/100 BASE-T TRANSFORMER MODULES

MECHANICAL SPECIFICATIONS

MD12XXDXX



MB12XXAXX



NOTE. DIMENSIONS:MM(INCHES)/UNLESS OTHERWISE SPECIFIED ALL TOLERANCES ARE $\pm 0.25(0.010)$.

EKO TECH CO. LTD.

HEAD OFFICE :

5F-1, 128, Xinhu 2nd. Rd.,

Neihu Chiu, Taipei, Taiwan 114

TEL : 886- 2- 2791- 9208

FAX : 886- 2- 2791- 9271

Email : sales@eko.com.tw

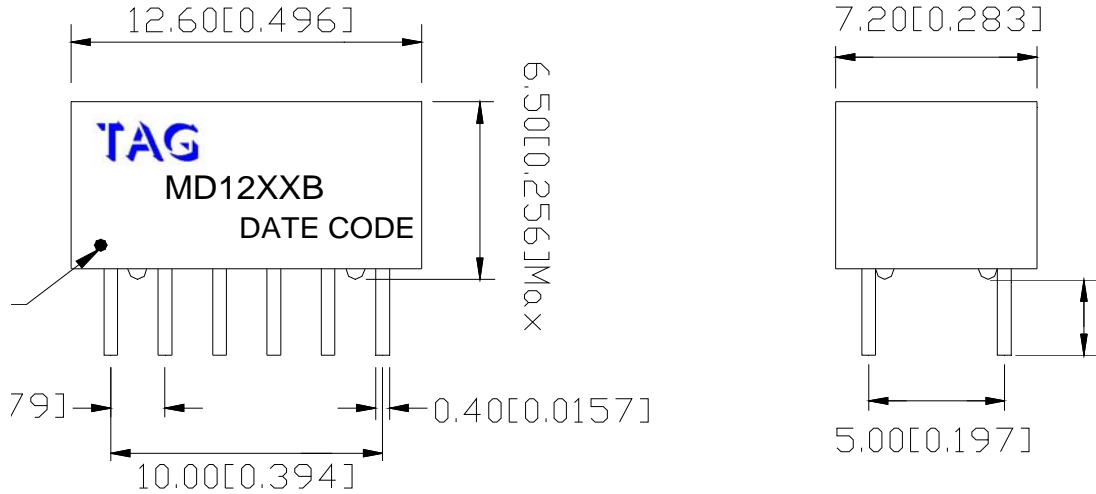
Data subject to change without notice. Please contact Tag for assistance locating product specifications

EKO TECH CO. LTD.

10/100 BASE-T TRANSFORMER MODULES

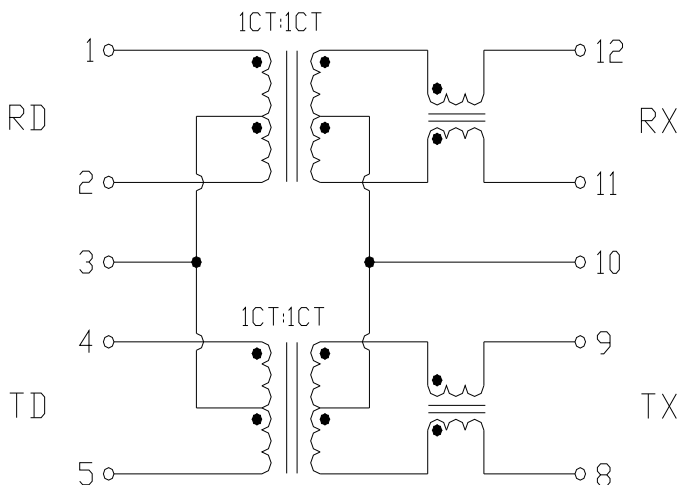
MECHANICAL SPECIFICATIONS

MD12XXBXX



SCHEMATICS

MD1201X/MB1201X



EKO TECH CO. LTD.

HEAD OFFICE :

5F-1, 128, Xinhua 2nd. Rd.,

Neihu Chiu, Taipei, Taiwan 114

TEL : 886- 2- 2791- 9208

FAX : 886- 2- 2791- 9271

Email : sales@eko.com.tw

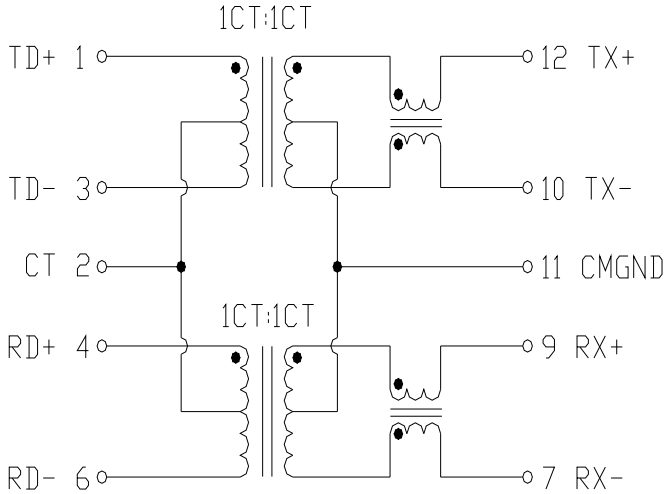
Data subject to change without notice. Please contact Tag for assistance locating product specifications

EKO TECH CO. LTD.

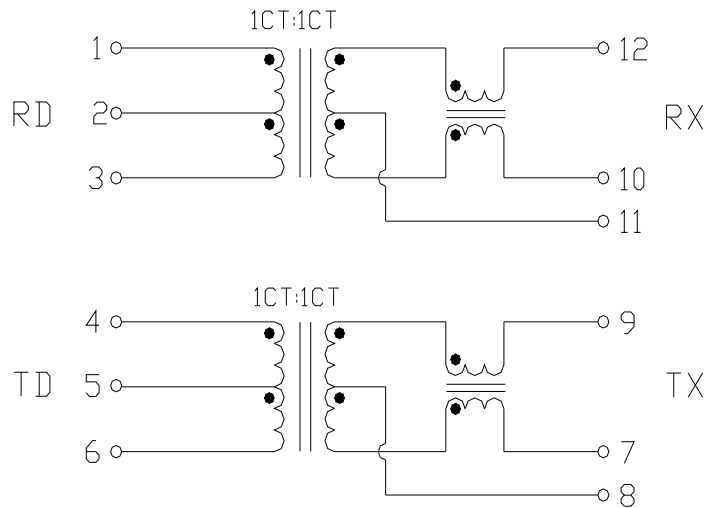
10/100 BASE-T TRANSFORMER MODULES

SCHEMATICS

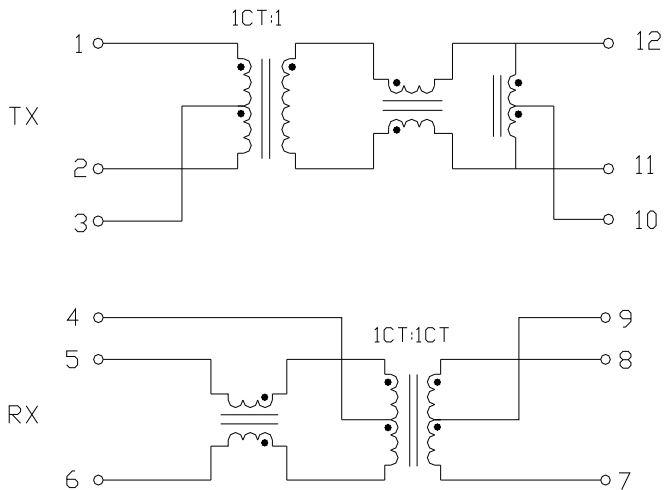
MD1202X



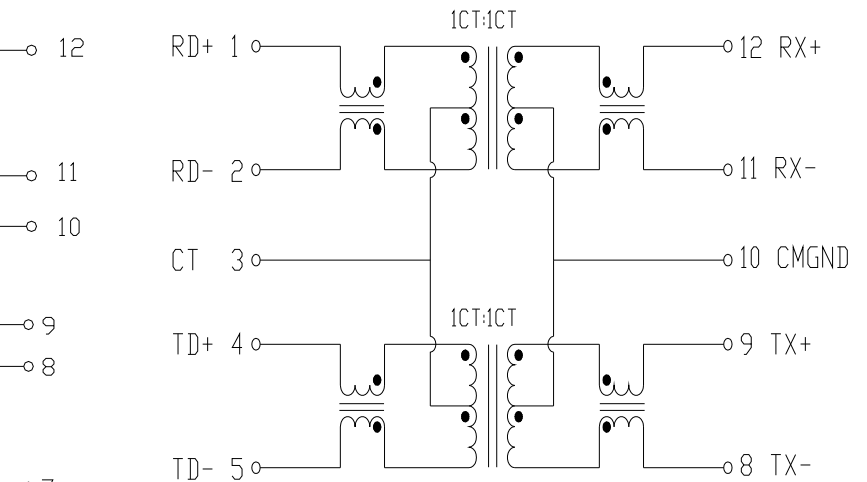
MD1203X



MD1204X



MD1205X



EKO TECH CO. LTD.

HEAD OFFICE :

TEL : 886- 2- 2791- 9208

5F-1, 128, Xinhua 2nd. Rd.,

FAX : 886- 2- 2791- 9271

Neihu Chiu, Taipei, Taiwan 114

Email : sales@eko.com.tw

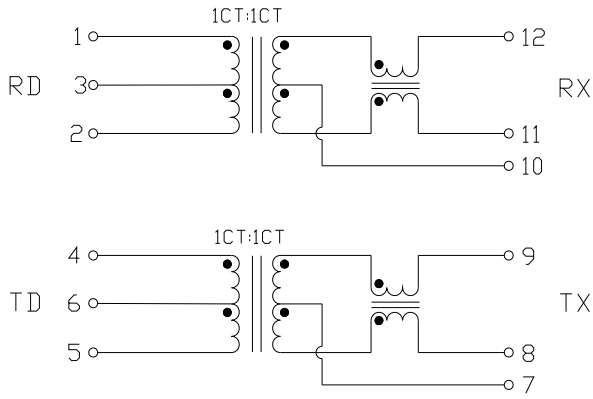
Data subject to change without notice. Please contact Tag for assistance locating product specifications

EKO TECH CO. LTD.

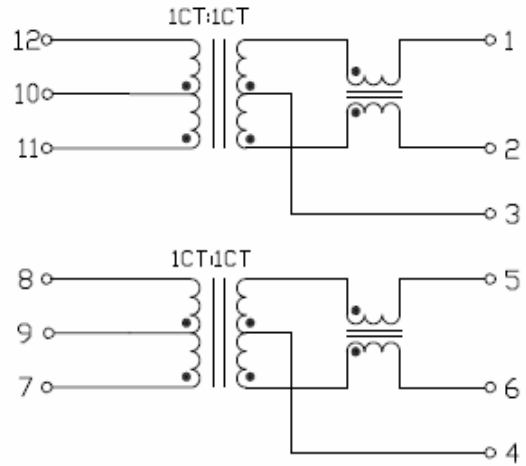
10/100 BASE-T TRANSFORMER MODULES

SCHEMATICS

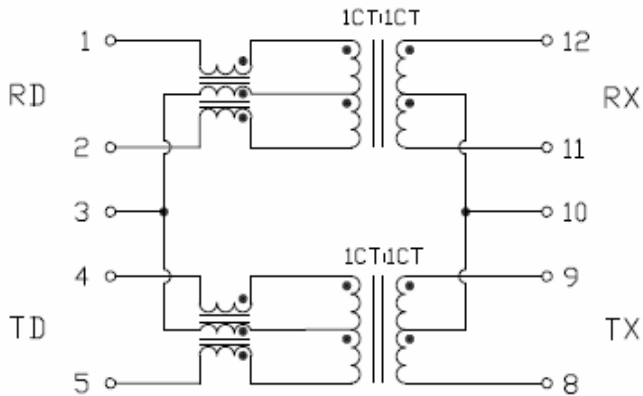
MD1206X



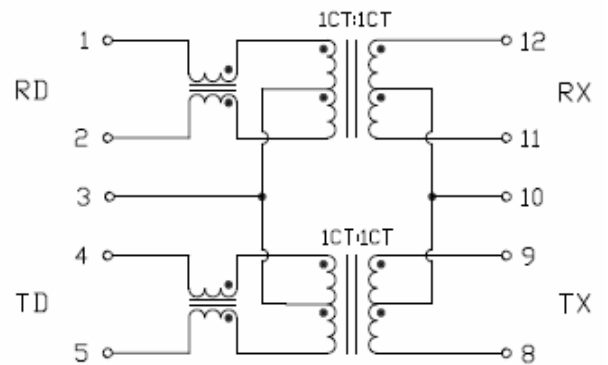
MD1207X



MD1208X



MD1209X



EKO TECH CO. LTD.

HEAD OFFICE :

5F-1, 128, Xinhu 2nd. Rd.,

Neihu Chiu, Taipei, Taiwan 114

TEL : 886- 2- 2791- 9208

FAX : 886- 2- 2791- 9271

Email : sales@eko.com.tw

Data subject to change without notice. Please contact Tag for assistance locating product specifications

EKO TECH CO. LTD.

10/100 BASE-T TRANSFORMER MODULES

Compliant With IEEE 802.3 standards including Baseline Wander Compensation

specification of 350uH OCL when biased at 8mA from 0°C to 70°C

Single Channel Interface For 10/100Mbps Ethernet Applications with CMC's tuned to enhance EMC system performance.

For RoHS Compliance.

ELECTRICAL SPECIFICATIONS @ 25°C - Operating Temperature 0°C to 70°C

Part Number	Insertion Loss (dB max)		Return Loss (dB min)			Crosstalk (dB min)		CMRR (dB min)		
	1-100MHz	1-30MHz	40MHz	50MHz	60-80MHz	1-60MHz	60-100MHz	1-30MHz	60MHz	80-100MHz
MD1601D	-1.1	-18	-16	-14.5	-12	-42	-35	-40	-35	-30
MD1602C	-1.1	-18	-16	-14.5	-12	-42	-35	-40	-35	-30
MD1602CP	-1.1	-18	-16	-14.5	-12	-42	-35	-40	-35	-30
MD1602D	-1.1	-18	-16	-14.5	-12	-42	-35	-40	-35	-30
MD1603A	-1.1	-18	-16	-14.5	-12	-42	-35	-40	-35	-30
MD1604B	-1.0	-18	-16	-14.5	-12	-42	-35	-40	-35	-30
MD1605D	-1.1	-18	-16	-14.5	-12	-42	-35	-40	-35	-30
MD1605DI	-1.1	-18	-16	-14.5	-12	-42	-35	-40	-35	-30
MD1605F	-1.0	-18	-14.4	-13.1	-12	-45	-40	-37	-37	-25
MD1606E*	\	\	\	\	\	\	\	\	\	\
MD1607F	-1.0	-18	-14.4	-13.1	-12	-45	-40	-37	-37	-25
MD1607D	-1.1	-18	-16	-14.5	-12	-42	-35	-40	-35	-30
MC1607A	-1.1	-18	-16	-14.5	-12	-42	-35	-35	\	\
MD1608F	-1.1	-18	-16.5	-15.3	-12	-35	-27	-40	-35	-30
MD1609A	-1.0	-16	-12	-12	-10	-42	-35	-40	-35	-30
MD1610D	-1.1	-18	-16	-14.5	-12	-42	-35	-40	-35	-30

Note : Isolation Voltage (HiPot) of 1500Vrms

“P” With PoE(720mA Current Capability)

“*” OCL:80~120uH Min @ 100KHz,0.2V

“I” with Extended Temperature(-40°C to +85°C)

EKO TECH CO. LTD.

HEAD OFFICE :

5F-1, 128, Xinhua 2nd. Rd.,

Neihu Chiu, Taipei, Taiwan 114

TEL : 886- 2- 2791- 9208

FAX : 886- 2- 2791- 9271

Email : sales@eko.com.tw

Data subject to change without notice. Please contact Tag for assistance locating product specifications

EKO TECH CO. LTD.

10/100 BASE-T TRANSFORMER MODULES

Compliant With IEEE 802.3 standards including Baseline Wander Compensation
specification of 350uH OCL when biased at 8mA from 0°C to 70°C

Single Channel Interface For 10/100Mbps Ethernet Applications with CMC's tuned to enhance EMC system performance.

For RoHS Compliance.

ELECTRICAL SPECIFICATIONS @ 25°C - Operating Temperature 0°C to 70°C

Part Number	Insertion Loss (dB max)		Return Loss (dB min)			Crosstalk (dB min)		CMRR (dB min)		
	1-100MHz	1-30MHz	40MHz	50MHz	60-80MHz	1-60MHz	60-100MHz	1-30MHz	60MHz	80-100MHz
MD1611G	-1.1	-18	-16	-14.5	-12	-42	-35	-40	-35	-30
MD1612G	-1.1	-18	-16	-14.5	-12	-42	-35	-40	-35	-30
MD1613D	-1.2	-18	-15	-15	-12	-40	-33	-35	-35	-35
MD1614D	-1.2	-18	-15	-15	-12	-40	-33	-35	-35	-35

Note : Isolation Voltage (HiPot) of 1500Vrms

“P” With PoE(720mA Current Capability)

“*” OCL:80~120uH Min @ 100KHz,0.2V

“I” with Extended Temperature(-40°C to +85°C)

EKO TECH CO. LTD.

HEAD OFFICE :

5F-1, 128, Xinhua 2nd. Rd.,

Neihu Chiu, Taipei, Taiwan 114

TEL : 886- 2- 2791- 9208

FAX : 886- 2- 2791- 9271

Email : sales@eko.com.tw

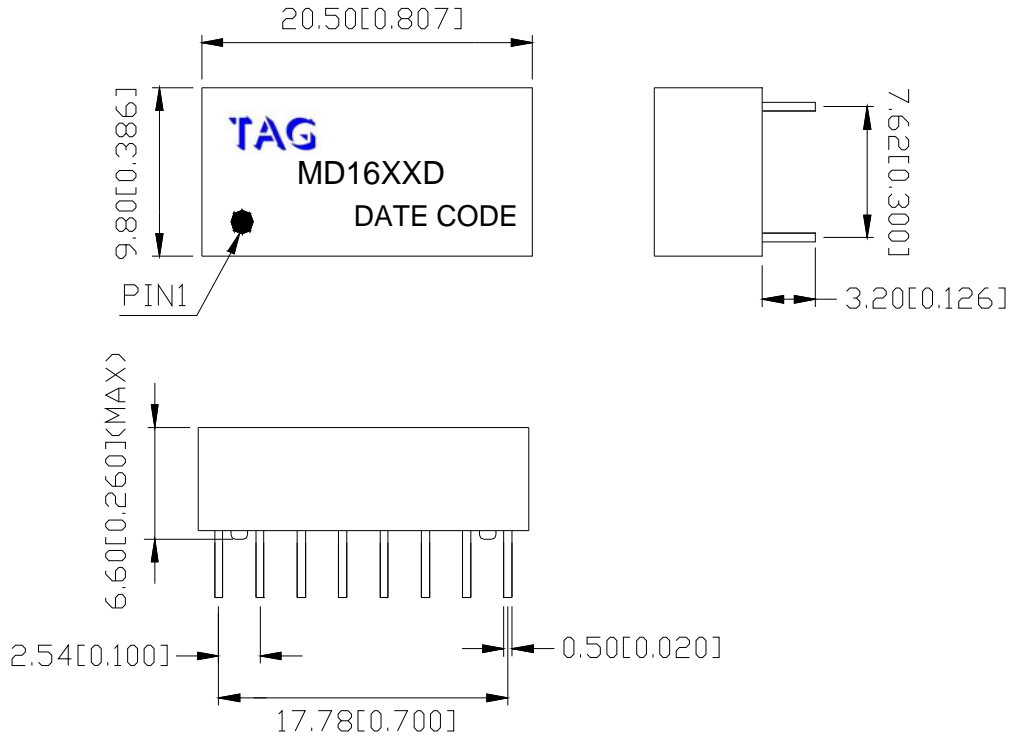
Data subject to change without notice. Please contact Tag for assistance locating product specifications

EKO TECH CO. LTD.

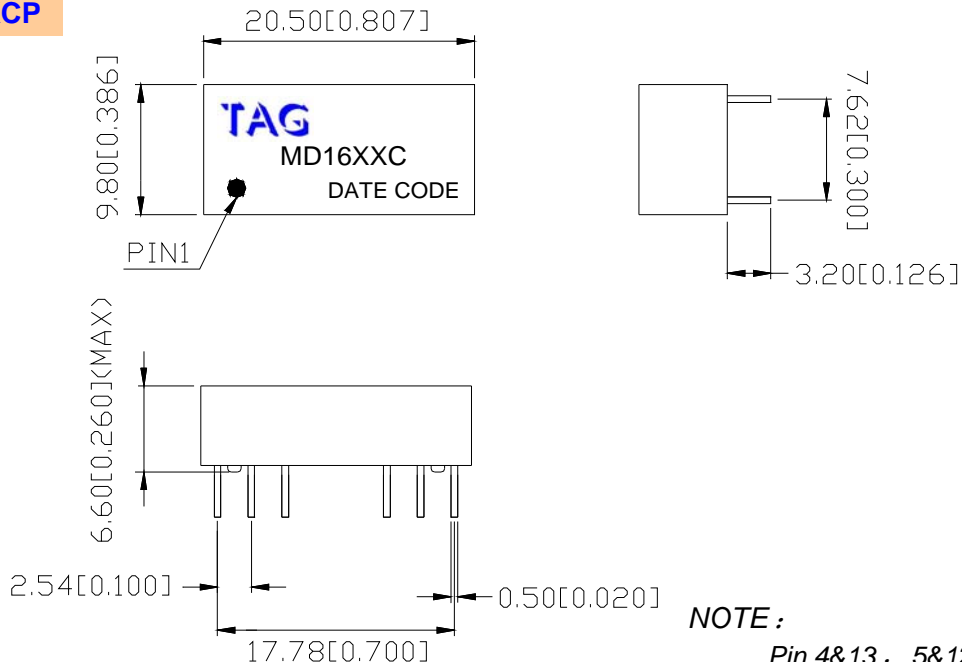
10/100 BASE-T TRANSFORMER MODULES

MECHANICAL SPECIFICATIONS

MD16XXD



MD16XXCMD16XXCP



NOTE. DIMENSIONS:MM(INCHES)/UNLESS OTHERWISE SPECIFIED ALL TOLERANCES ARE $\pm 0.25(0.010)$.

EKO TECH CO. LTD.

HEAD OFFICE :

5F-1, 128, Xinhu 2nd. Rd.,

Neihu Chiu, Taipei, Taiwan 114

TEL : 886- 2- 2791- 9208

FAX : 886- 2- 2791- 9271

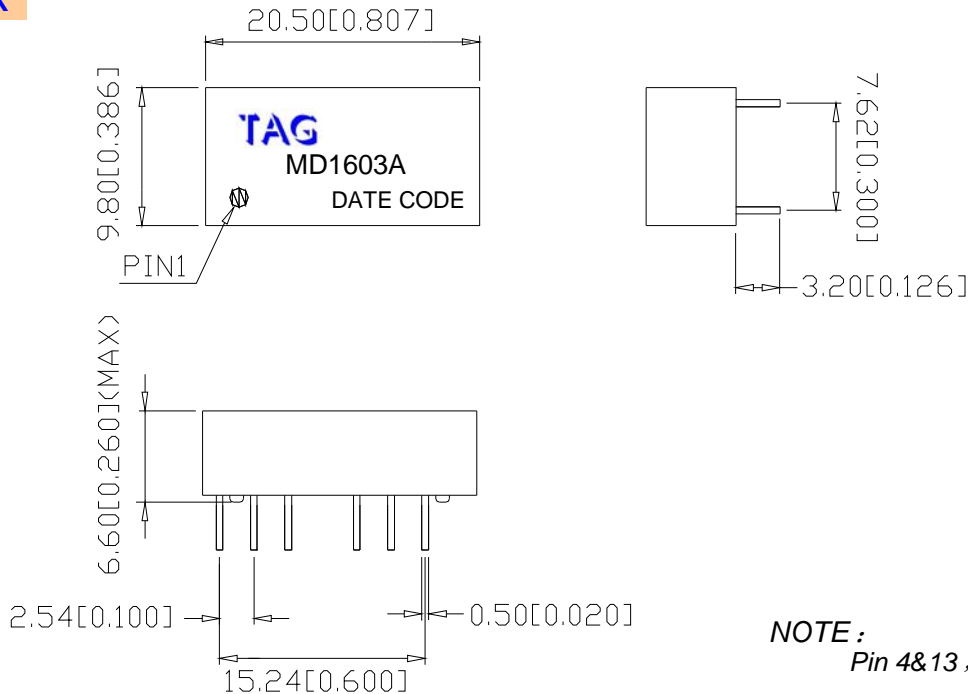
Email : sales@eko.com.tw

EKO TECH CO. LTD.

10/100 BASE-T TRANSFORMER MODULES

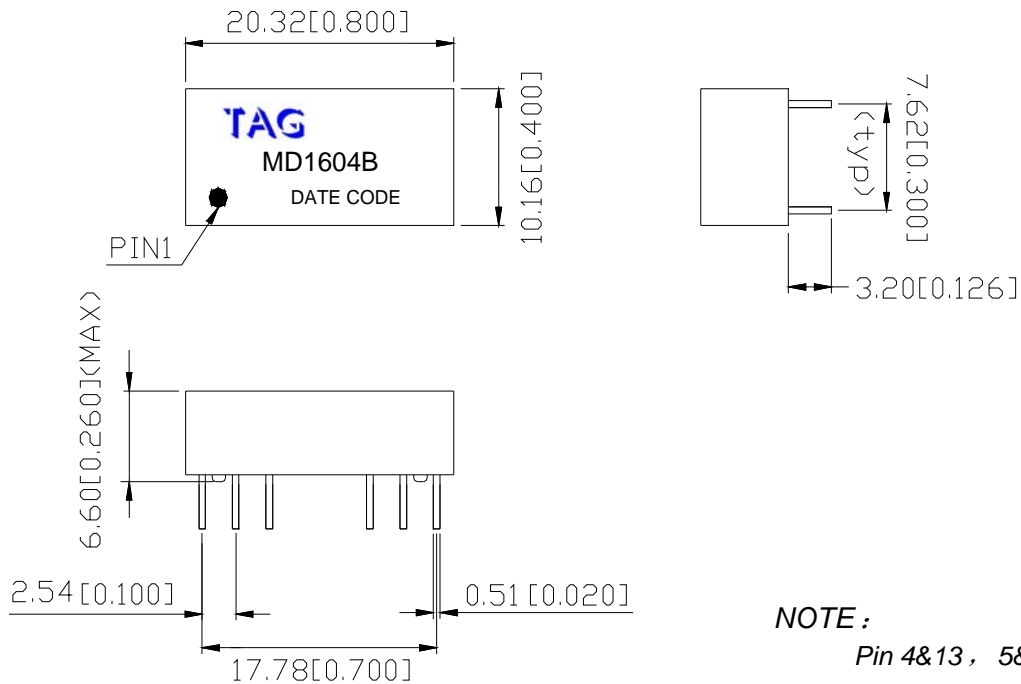
MECHANICAL SPECIFICATIONS

MD16XXAXX



NOTE:
Pin 4&13, 8&9 CUT OFF.

MD1604B



NOTE:
Pin 4&13, 5&12 CUT OFF.

NOTE. DIMENSIONS:MM(INCHES)/UNLESS OTHERWISE SPECIFIED ALL TOLERANCES ARE $\pm 0.25(0.010)$.

EKO TECH CO. LTD.

HEAD OFFICE :

5F-1, 128, Xinhua 2nd. Rd.,

Neihu Chiu, Taipei, Taiwan 114

TEL : 886- 2- 2791- 9208

FAX : 886- 2- 2791- 9271

Email : sales@eko.com.tw

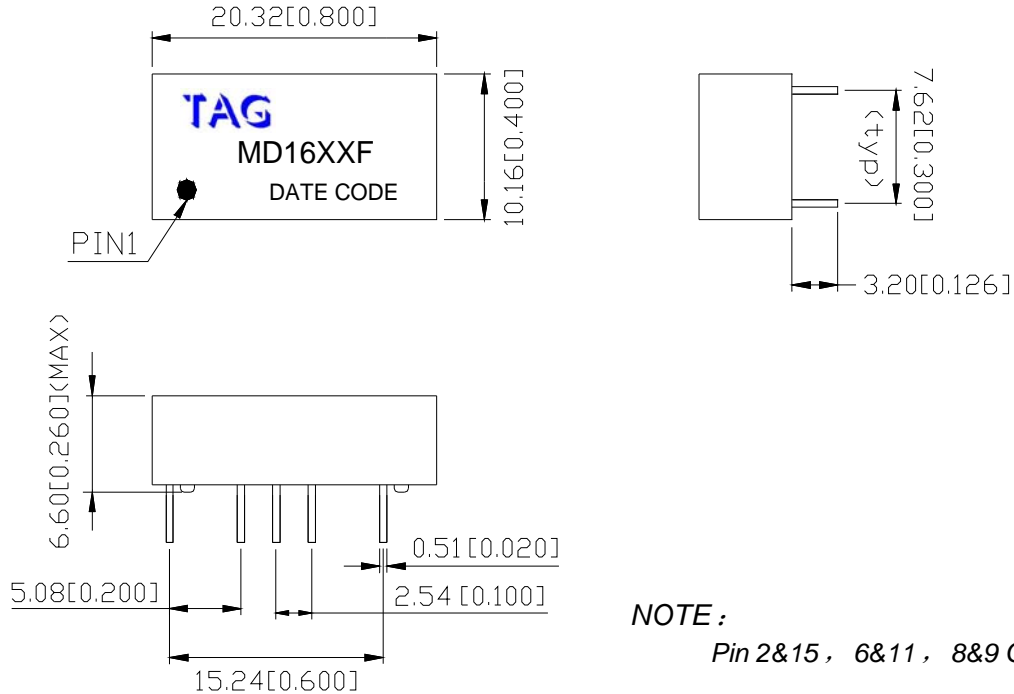
Data subject to change without notice. Please contact Tag for assistance locating product specifications

EKO TECH CO. LTD.

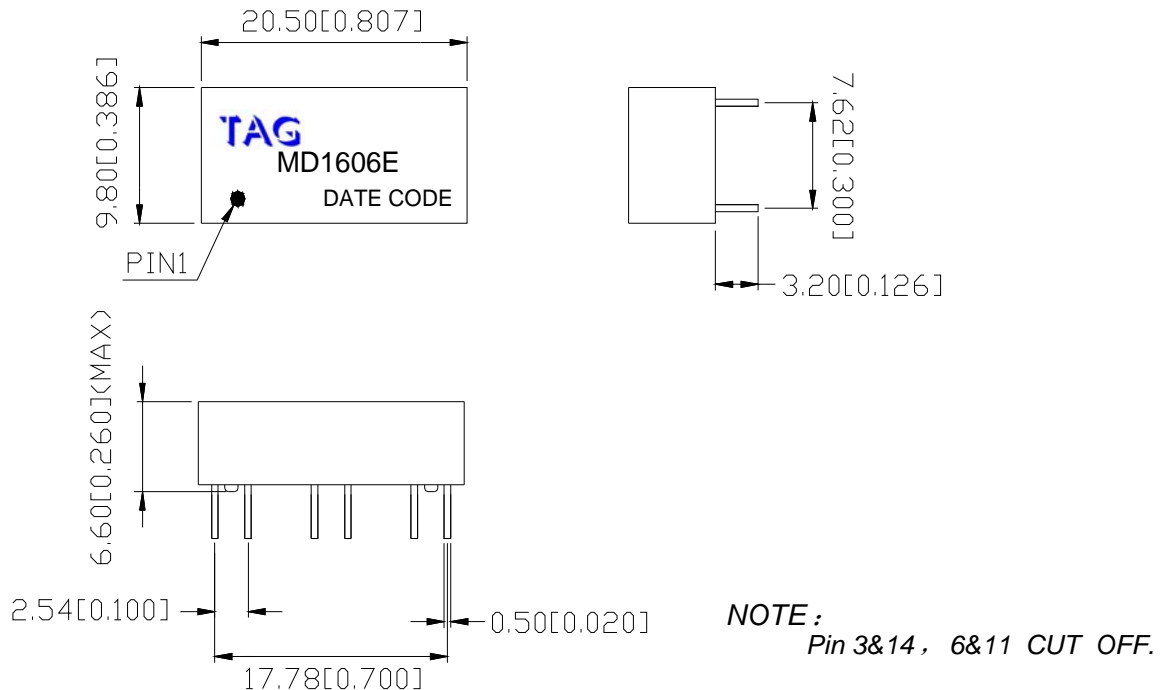
10/100 BASE-T TRANSFORMER MODULES

MECHANICAL SPECIFICATIONS

MD16XXF



MD1606E



NOTE. DIMENSIONS:MM(INCHES)/UNLESS OTHERWISE SPECIFIED ALL TOLERANCES ARE $\pm 0.25(0.010)$.

EKO TECH CO. LTD.

HEAD OFFICE :

5F-1, 128, Xinhu 2nd. Rd.,

Neihu Chiu, Taipei, Taiwan 114

TEL : 886- 2- 2791- 9208

FAX : 886- 2- 2791- 9271

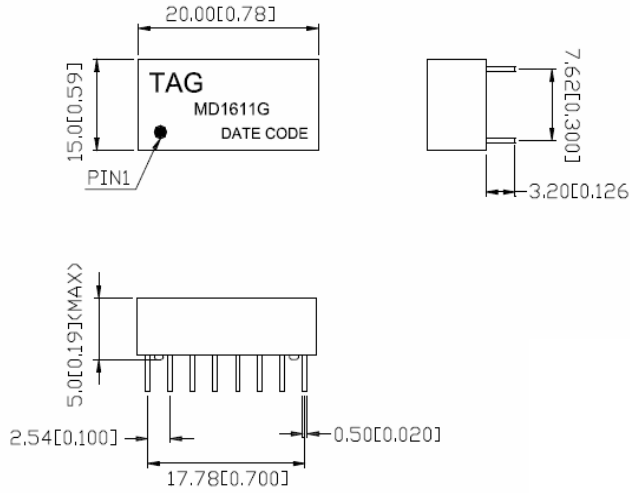
Email : sales@eko.com.tw

EKO TECH CO. LTD.

10/100 BASE-T TRANSFORMER MODULES

MECHANICAL SPECIFICATIONS

MD16XXG



NOTE :
Pin 3&14, 6&11 CUT OFF.

NOTE. DIMENSIONS:MM(INCHES)/UNLESS OTHERWISE SPECIFIED ALL TOLERANCES ARE $\pm 0.25(0.010)$.

EKO TECH CO. LTD.

HEAD OFFICE :

5F-1, 128, Xinhu 2nd. Rd.,

Neihu Chiu, Taipei, Taiwan 114

TEL : 886- 2- 2791- 9208

FAX : 886- 2- 2791- 9271

Email : sales@eko.com.tw

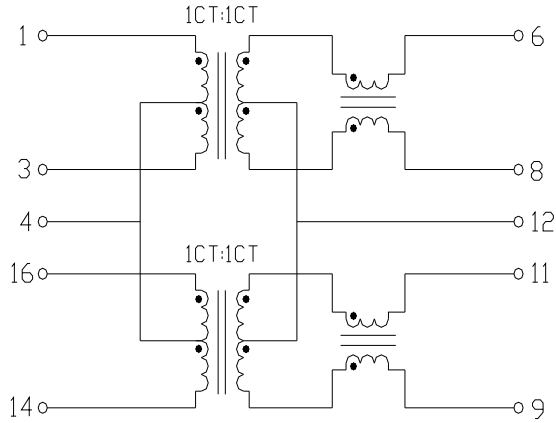
Data subject to change without notice. Please contact Tag for assistance locating product specifications

EKO TECH CO. LTD.

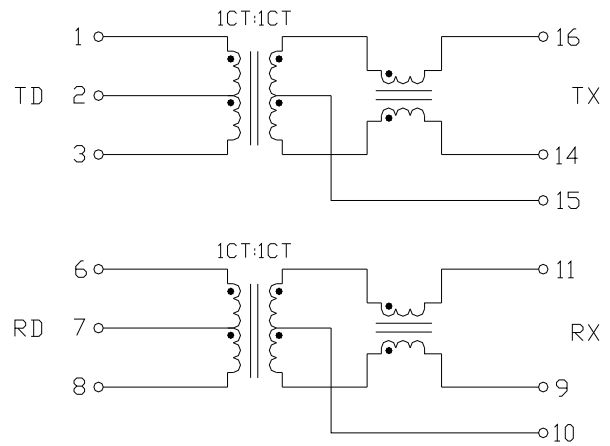
10/100 BASE-T TRANSFORMER MODULES

SCHEMATICS

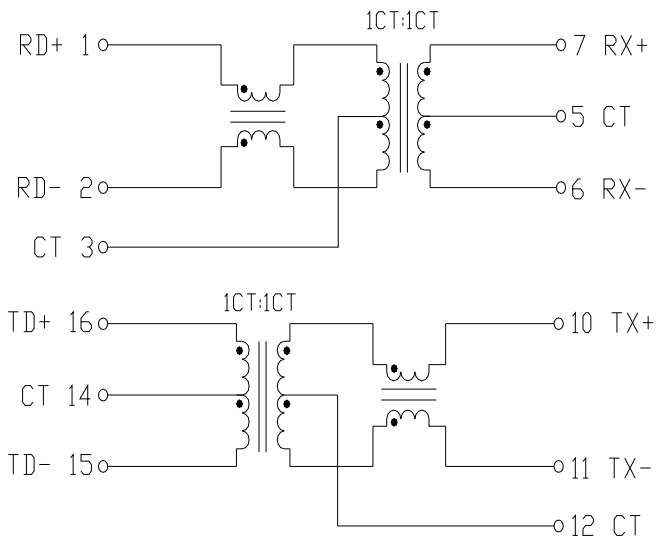
MD1601D



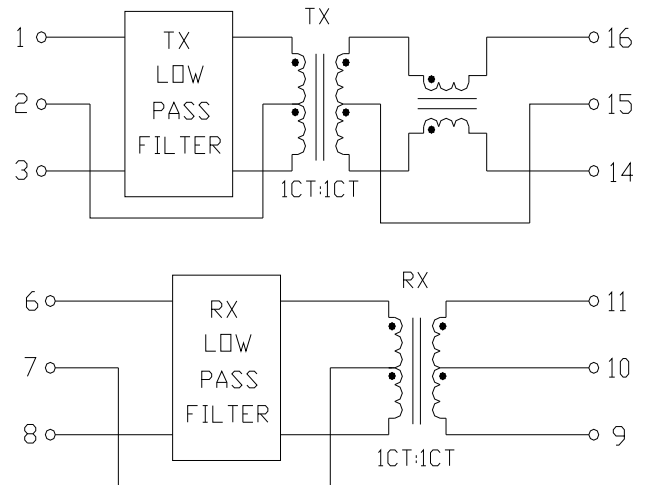
MD1602X/MD1602XX



MD1603A



MD1604B



EKO TECH CO. LTD.

HEAD OFFICE :

5F-1, 128, Xinhua 2nd. Rd.,

Neihu Chiu, Taipei, Taiwan 114

TEL : 886- 2- 2791- 9208

FAX : 886- 2- 2791- 9271

Email : sales@eko.com.tw

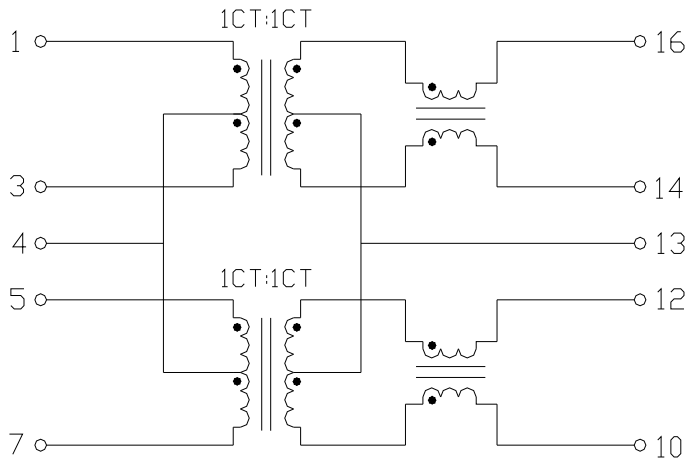
Data subject to change without notice. Please contact Tag for assistance locating product specifications

EKO TECH CO. LTD.

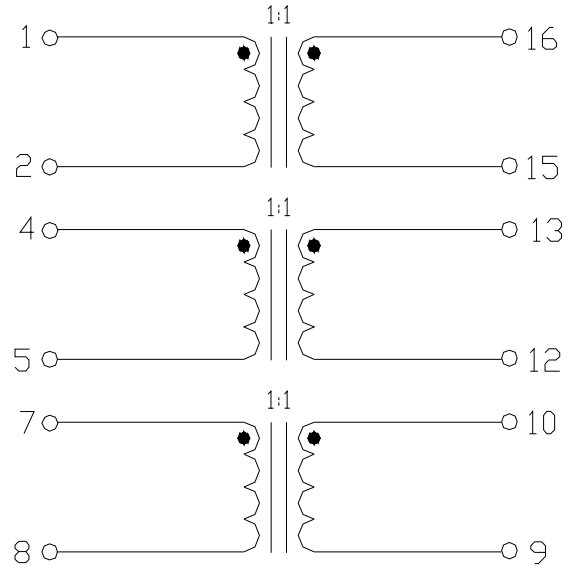
10/100 BASE-T TRANSFORMER MODULES

SCHEMATICS

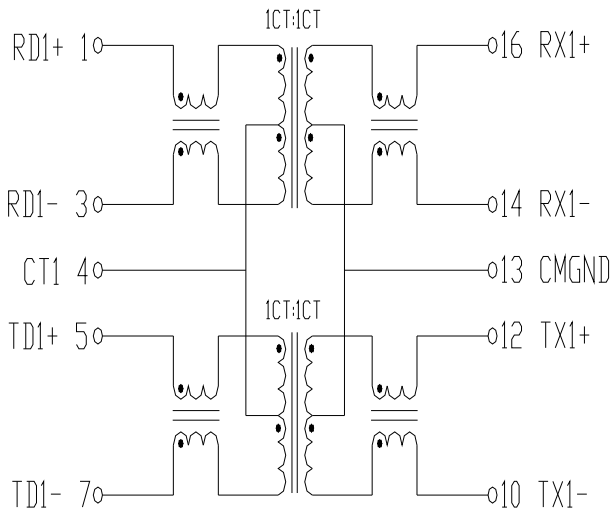
MD1605XXX



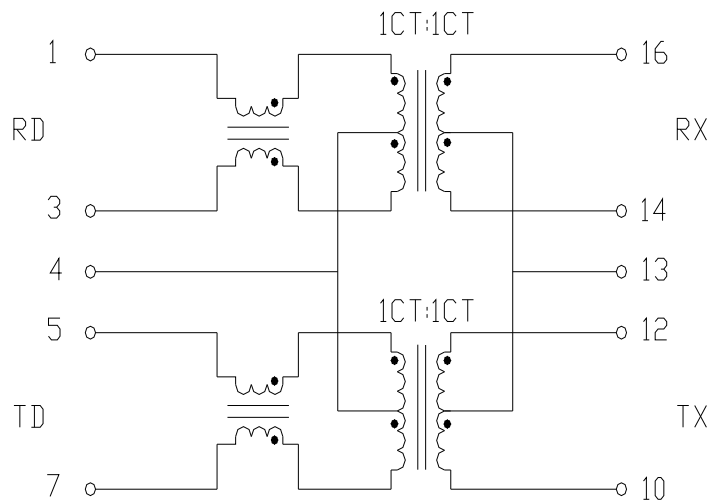
MD1606XX



MD1607XXX



MD1608XXX



EKO TECH CO. LTD.

HEAD OFFICE :

5F-1, 128, Xinhua 2nd. Rd.,

Neihu Chiu, Taipei, Taiwan 114

TEL : 886- 2- 2791- 9208

FAX : 886- 2- 2791- 9271

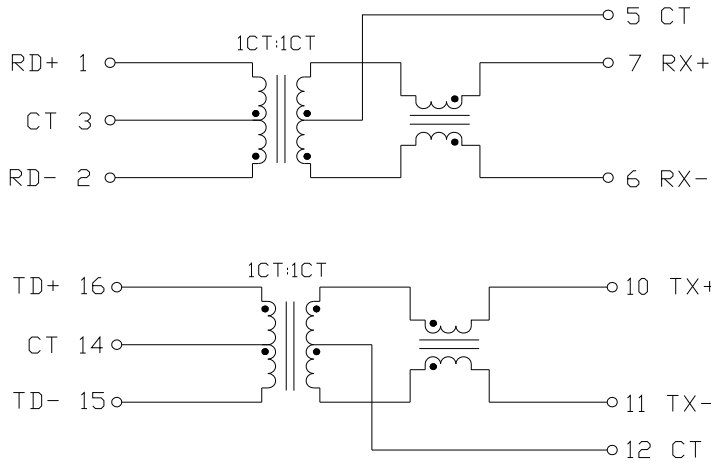
Email : sales@eko.com.tw

EKO TECH CO. LTD.

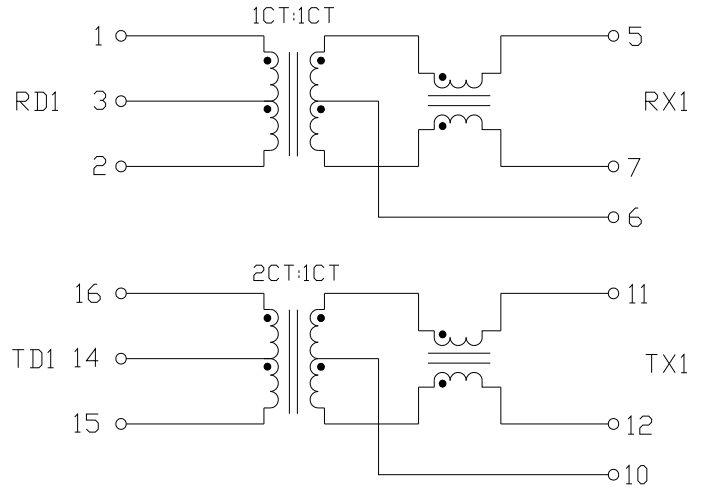
10/100 BASE-T TRANSFORMER MODULES

SCHEMATICS

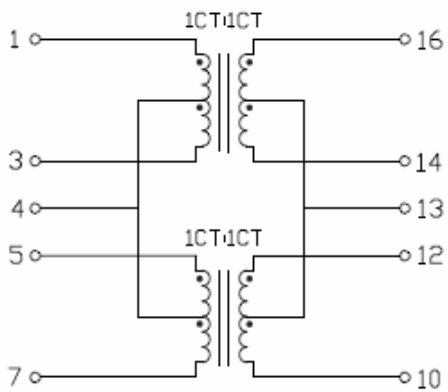
MD1609XXX



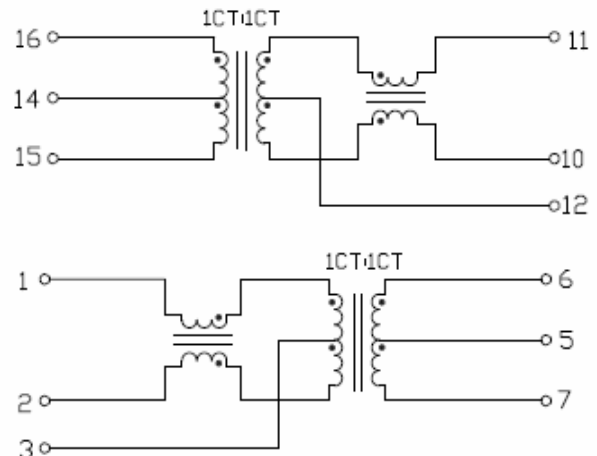
MD1610XX



MD1611XXX



MD1612XXX



EKO TECH CO. LTD.

HEAD OFFICE :

5F-1, 128, Xinhua 2nd. Rd.,

Neihu Chiu, Taipei, Taiwan 114

TEL : 886- 2- 2791- 9208

FAX : 886- 2- 2791- 9271

Email : sales@eko.com.tw

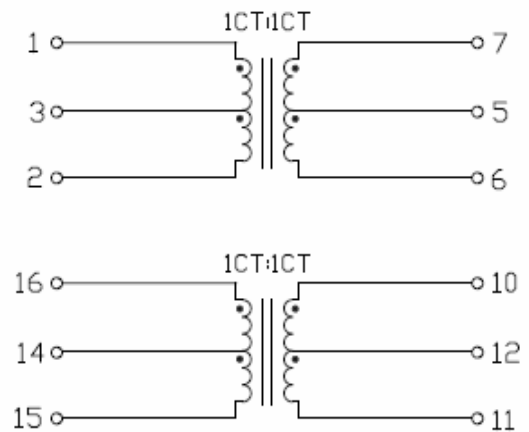
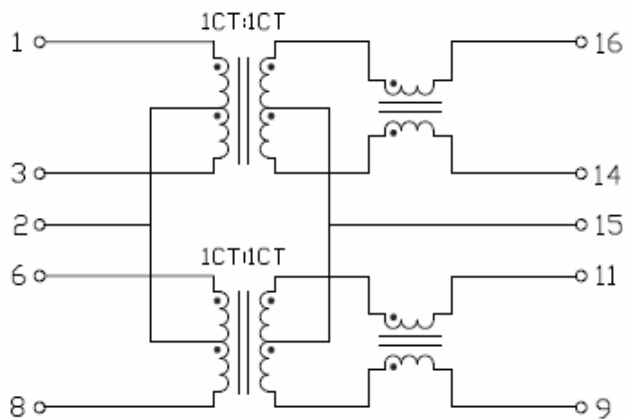
EKO TECH CO. LTD.

10/100 BASE-T TRANSFORMER MODULES

SCHEMATICS

MD1613XXX

MD1614XXX



EKO TECH CO. LTD.

HEAD OFFICE :

5F-1, 128, Xinhua 2nd. Rd.,

Neihu Chiu, Taipei, Taiwan 114

TEL : 886- 2- 2791- 9208

FAX : 886- 2- 2791- 9271

Email : sales@eko.com.tw

Data subject to change without notice. Please contact Tag for assistance locating product specifications

EKO TECH CO. LTD.

10/100 BASE-T TRANSFORMER MODULES

Transformer Modules(10/100Base-Tx)For Auto MDI/MDIX Applications.

Compliant With IEEE 802.3 and ANSI X3.236 Standard Including Baseline Wander Compensation Specification Of 350uH OCL When Biased at 8mA From 0°C to 70°C.

Available In Through Hole Package.

For RoHS Compliance.

ELECTRICAL SPECIFICATIONS @ 25°C - Operating Temperature 0°C to 70°C

Part Number	Insertion Loss (dB max)		Return Loss (dB min)			Crosstalk (dB min)		CMRR (dB min)		
	1-100Mhz	1-30MHz	40MHz	50MHz	60-80MHz	1-60MHz	60-100MHz	1-30MHz	60MHz	80-100MHz
MB2001B	-1.0	-18	-15	-13	-11	-38	-38	-40	-40	-40
MC2001A	-1.0	-18	-14.4	-13.1	-12	-10	-43.5	-37.5	-33	
MD2001D	-1.1	-18	-14.4	-13.1	-12	-42	-33	-40	-35	-30
MD2001DI	-1.1	-18	-14.4	-13.1	-12	-40	-38	-40	-35	-30
MD2002D	-1.1	-18	-14.4	-13.1	-12	-40	-38	-40	-35	-30
MD2003D	-1.1	-18	-14.4	-13.1	-12	-40	-38	-40	-35	-30
MD2004D	-1.1	-18	-14.4	-13.1	-12	-42	-33	-40	-35	-30
MD2005D	-1.1	-18	-16.5	-15.3	-12	-35	-27	-40	-35	-30
MC2005C	-1.1	-18	-18	$-18+12*\text{LOG}(f/30)$	-12	-12	-35	$-33+20*\text{LOG}(f/30)$		
MC2006C	-1.1	-18	-18	$-18+12*\text{LOG}(f/30)$	-12	-12	-35	$-33+20*\text{LOG}(f/30)$		
MB2006A	-1.1	-18	-18	-16	-12	-35	-33	-30	-30	-30
MD2006A	-1.1	-18	-18	-16	-12	-35	-33	-30	-30	-30

Note : Isolation Voltage (HiPot) of 1500Vrms

“I” with Extended Temperature(-40°C to +85°C)

EKO TECH CO. LTD.

HEAD OFFICE :

5F-1, 128, Xinhua 2nd. Rd.,

Neihu Chiu, Taipei, Taiwan 114

TEL : 886- 2- 2791- 9208

FAX : 886- 2- 2791- 9271

Email : sales@eko.com.tw

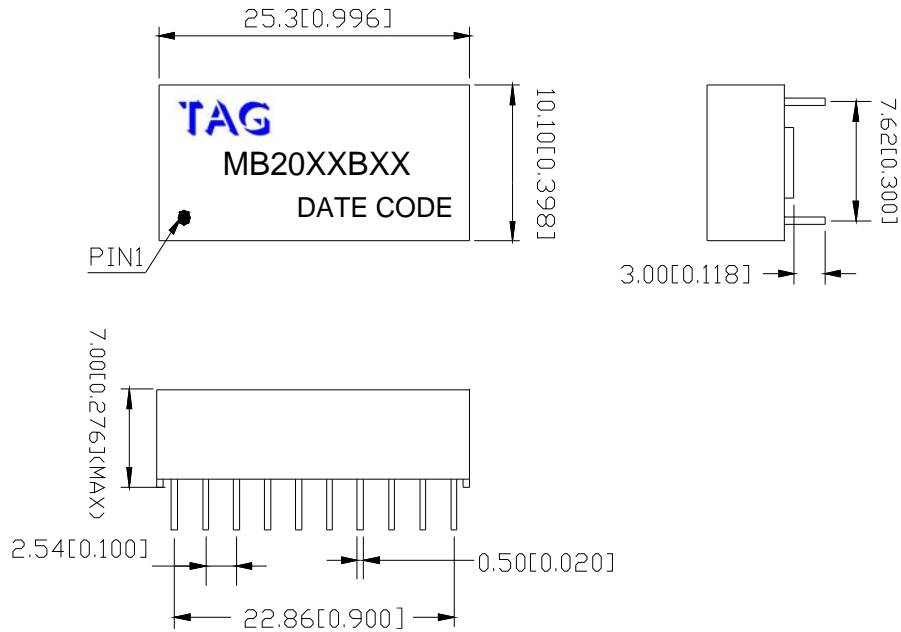
Data subject to change without notice. Please contact Tag for assistance locating product specifications

EKO TECH CO. LTD.

10/100 BASE-T TRANSFORMER MODULES

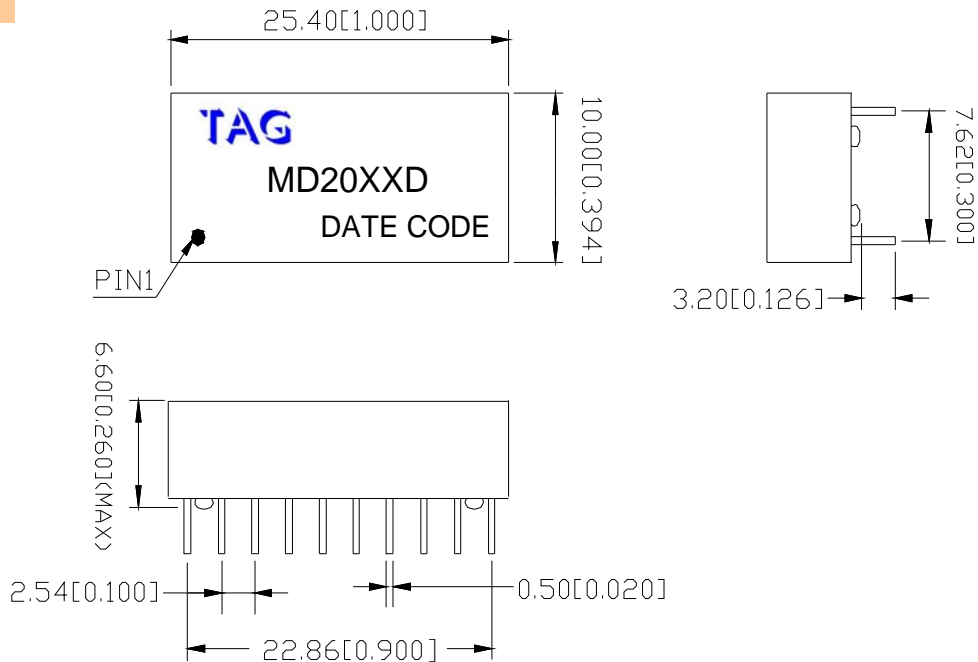
MECHANICAL SPECIFICATIONS

MB20XXBXX



MECHANICAL SPECIFICATIONS

MD20XXD



NOTE. DIMENSIONS:MM(INCHES)/UNLESS OTHERWISE SPECIFIED ALL TOLERANCES ARE $\pm 0.25(0.010)$.

EKO TECH CO. LTD.

HEAD OFFICE :

5F-1, 128, Xinhu 2nd. Rd.,

Neihu Chiu, Taipei, Taiwan 114

TEL : 886- 2- 2791- 9208

FAX : 886- 2- 2791- 9271

Email : sales@eko.com.tw

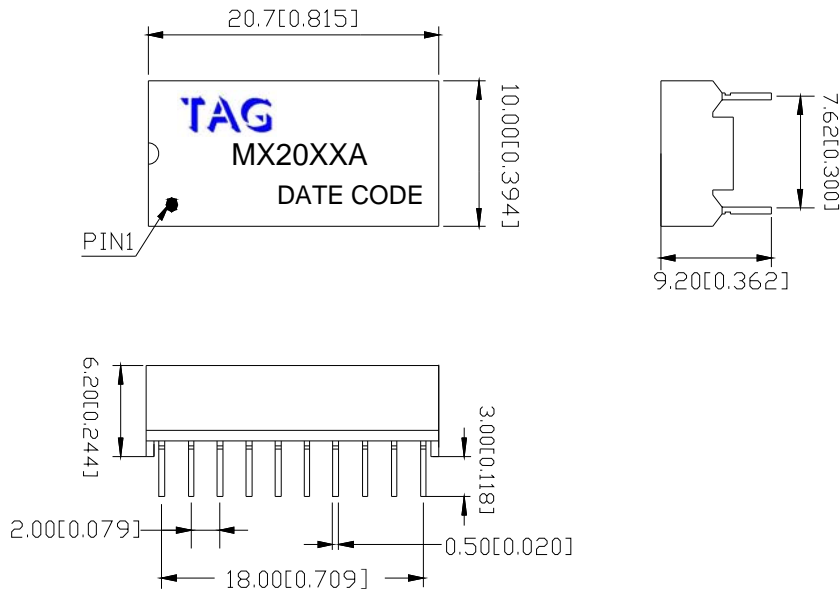
Data subject to change without notice. Please contact Tag for assistance locating product specifications

EKO TECH CO. LTD.

10/100 BASE-T TRANSFORMER MODULES

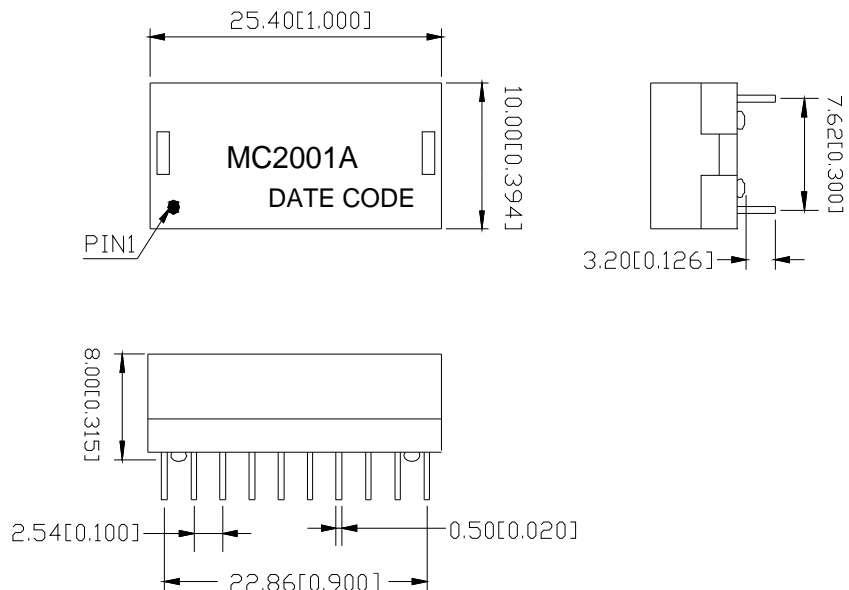
MECHANICAL SPECIFICATIONS

MB2006A/MD2006A



MECHANICAL SPECIFICATIONS

MC2001A



NOTE. DIMENSIONS:MM(INCHES)/UNLESS OTHERWISE SPECIFIED ALL TOLERANCES ARE $\pm 0.25(0.010)$.

EKO TECH CO. LTD.

HEAD OFFICE :

5F-1, 128, Xinhua 2nd. Rd.,

Neihu Chiu, Taipei, Taiwan 114

TEL : 886- 2- 2791- 9208

FAX : 886- 2- 2791- 9271

Email : sales@eko.com.tw

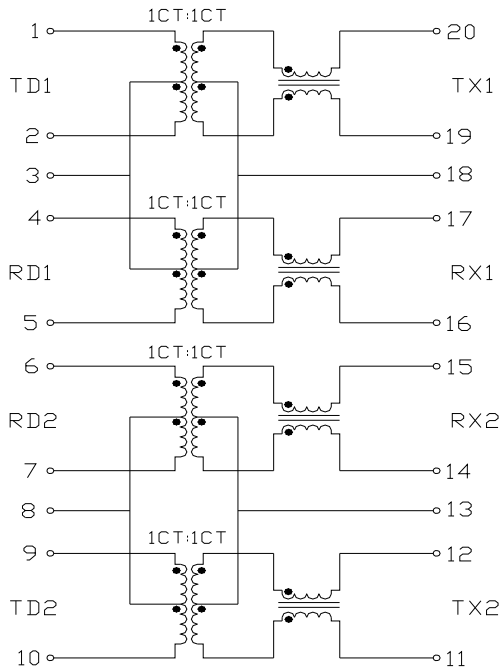
Data subject to change without notice. Please contact Tag for assistance locating product specifications

EKO TECH CO. LTD.

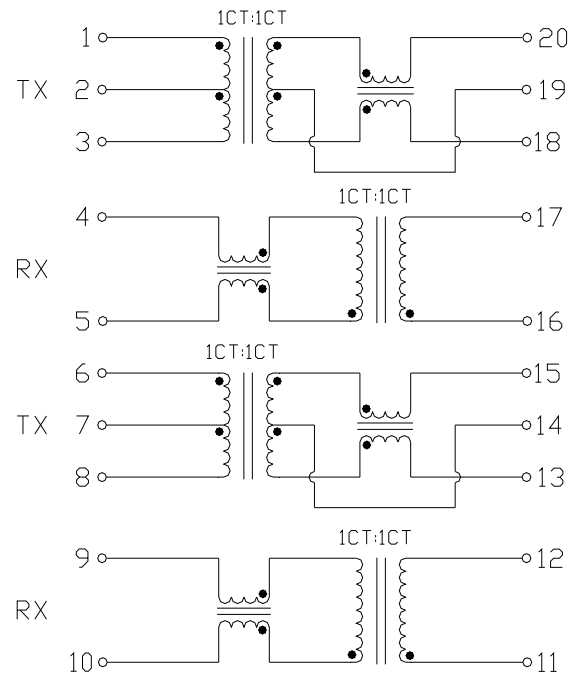
10/100 BASE-T TRANSFORMER MODULES

SCHEMATICS

MX2001XXX

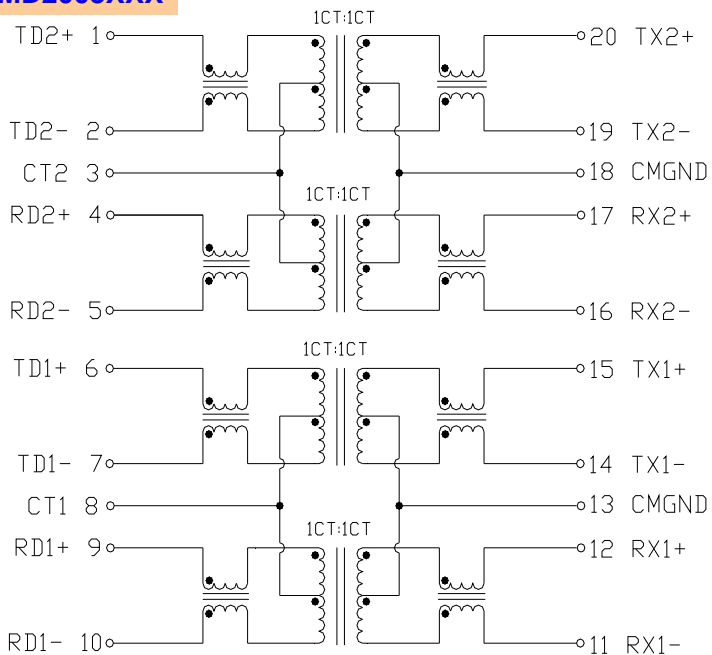


MD2002XXX

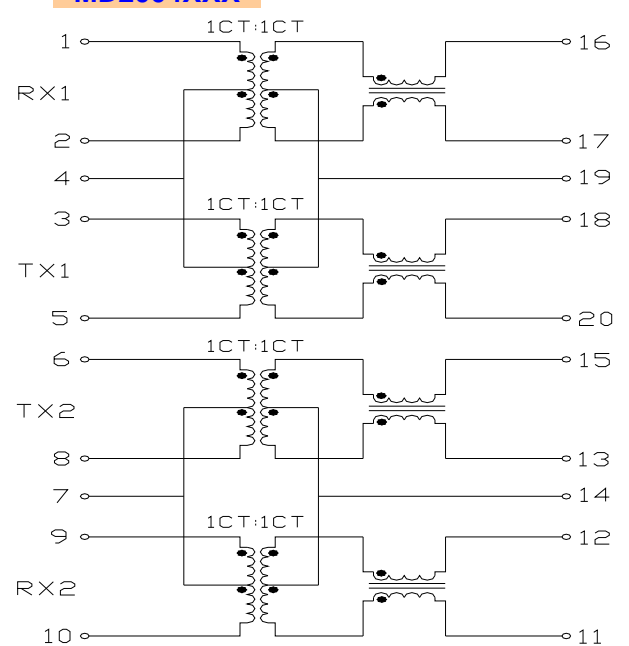


SCHEMATICS

MD2003XXX



MD2004XXX



EKO TECH CO. LTD.

HEAD OFFICE :

5F-1, 128, Xinhu 2nd. Rd.,

Neihu Chiu, Taipei, Taiwan 114

TEL : 886- 2- 2791- 9208

FAX : 886- 2- 2791- 9271

Email : sales@eko.com.tw

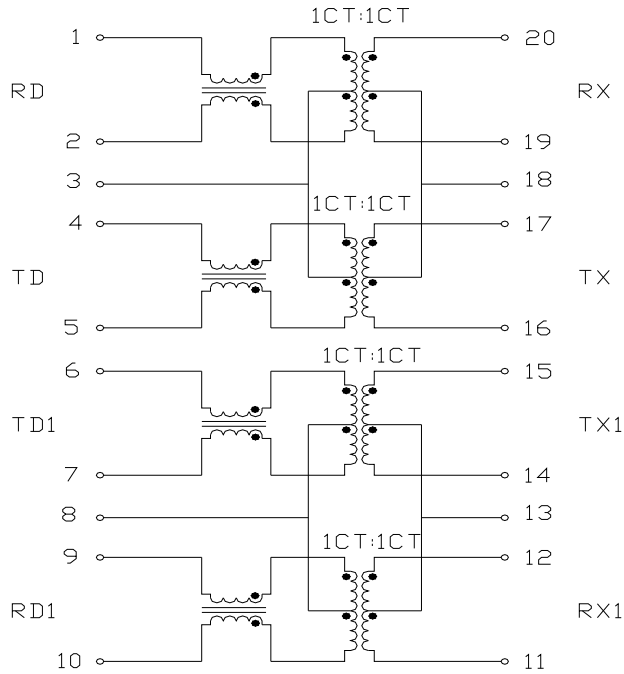
Data subject to change without notice. Please contact Tag for assistance locating product specifications

EKO TECH CO. LTD.

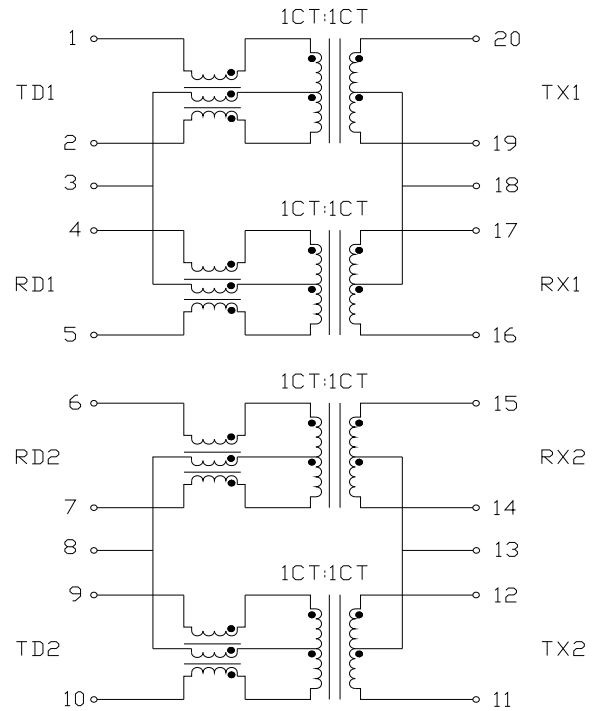
10/100 BASE-T TRANSFORMER MODULES

SCHEMATICS

MD2005XXX



MX2006XXXX



SCHEMATICS

EKO TECH CO. LTD.

HEAD OFFICE :

5F-1, 128, Xinhua 2nd. Rd.,

Neihu Chiu, Taipei, Taiwan 114

TEL : 886- 2- 2791- 9208

FAX : 886- 2- 2791- 9271

Email : sales@eko.com.tw

Data subject to change without notice. Please contact Tag for assistance locating product specifications

EKO TECH CO. LTD.

10/100 BASE-T TRANSFORMER MODULES

Designed To Meet IEEE802.3 And ANSI X3.263 Standards.

Compliant With IEEE802.3 ab Standard For 100Base-T.

Supports 4 Pairs Of Category 5 UTP Cable.

For RoHS Compliance.

ELECTRICAL SPECIFICATIONS @ 25°C - Operating Temperature 0°C to 70°C

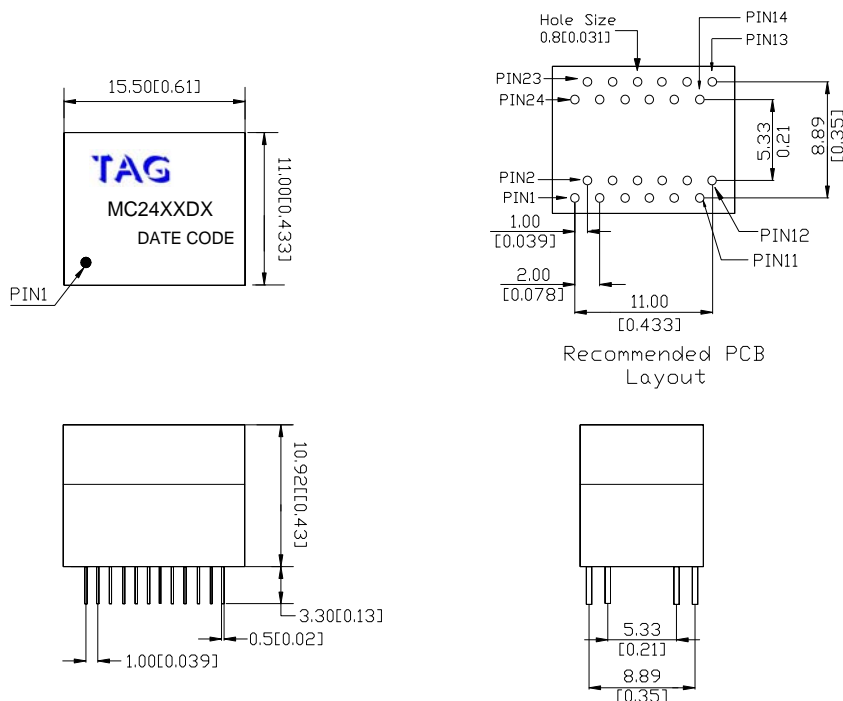
Part Number	Insertion Loss (dB max)			Return Loss (dB min)			Crosstalk (dB min)			CMRR (dB min)		
	1-100MHz	1-30MHz	60-80MHz	100MHz	1-30MHz	60MHz	100MHz	1-30MHz	60MHz	100MHz		
MC2401DP	-1.1	-18	-12	-10	-40	-35	-30	-40	-35	-30		

Note : Isolation Voltage (HiPot) of 1500Vrms

“P” With POE(720mA Current Capability)

MECHANICAL SPECIFICATIONS

MC24XXDX



NOTE. DIMENSIONS:MM(INCHES)/UNLESS OTHERWISE SPECIFIED ALL TOLERANCES ARE $\pm 0.25(0.010)$.

EKO TECH CO. LTD.

HEAD OFFICE :

5F-1, 128, Xinhu 2nd. Rd.,

Neihu Chiu, Taipei, Taiwan 114

TEL : 886- 2- 2791- 9208

FAX : 886- 2- 2791- 9271

Email : sales@eko.com.tw

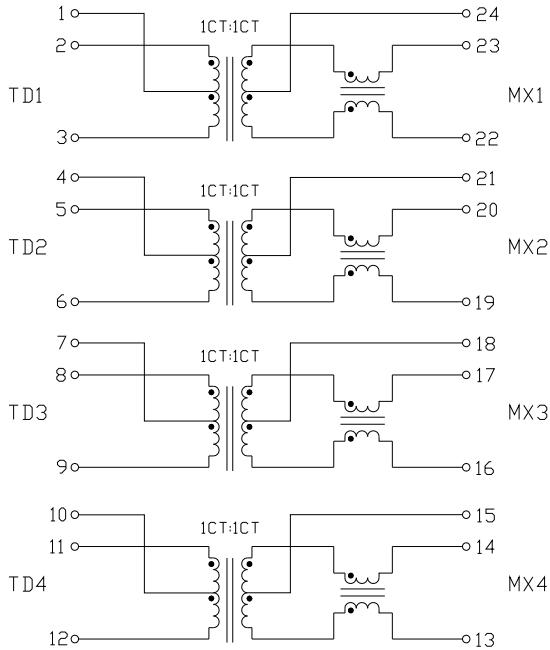
Data subject to change without notice.Please contact Tag for assistance locating product specifications

EKO TECH CO. LTD.

10/100 BASE-T TRANSFORMER MODULES

SCHEMATICS

MC2401XX



EKO TECH CO. LTD.

HEAD OFFICE :

5F-1, 128, Xinhu 2nd. Rd.,

Neihu Chiu, Taipei, Taiwan 114

TEL : 886- 2- 2791- 9208

FAX : 886- 2- 2791- 9271

Email : sales@eko.com.tw

EKO TECH CO. LTD.

10/100 BASE-T TRANSFORMER MODULES

Magnetic Designs To Support Every PHY.

Complies With IEEE802.3 Standard Including 350uH Min OCL With 8mA Bias.

Storage Temperature Range:-25°C to +125°C.

For RoHS Compliance.

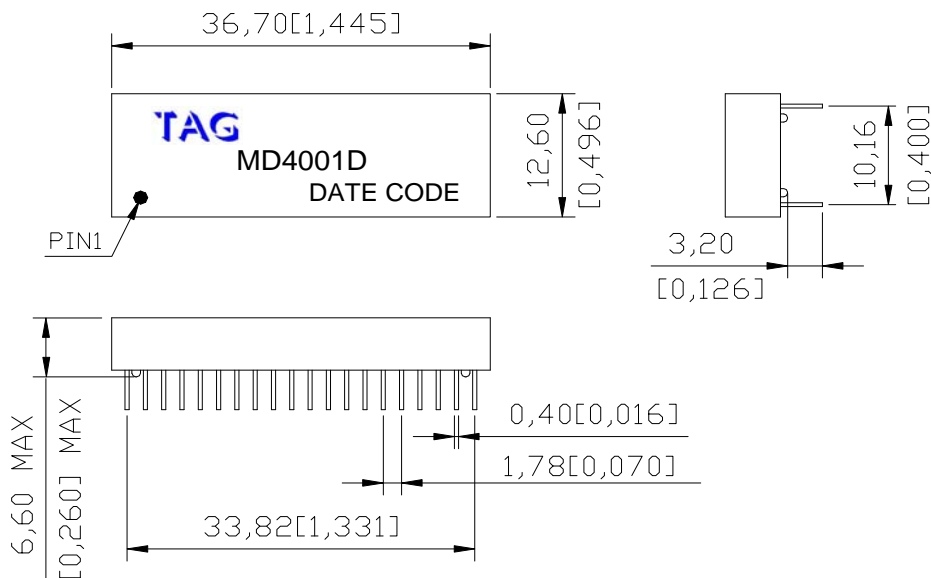
ELECTRICAL SPECIFICATIONS @ 25°C - Operating Temperature 0°C to 70°C

Part Number	Insertion Loss (dB max)		Return Loss (dB min)			Crosstalk (dB min)		CMRR (dB min)		
	1-100MHz	1-30MHz	40MHz	50MHz	60-80MHz	1-30MHz	60-100MHz	1-30MHz	60MHz	80-100MHz
MB4001C	-1.1	-16	-16	-14.1	-10	-42	-33	/	/	/
MD4001D	-1.1	-18	-14.4	-13.1	-12	-42	-33	-40	-35	-30
MD4001A	-1.1	-16	-16	-14.1	-10	-42	-33	/	/	/
MD4002A	-1.1	-18	-14.4	-13.1	-12	-42	-33	-40	-35	-30
MC4002B	-1.1	-18	-14.4	-13.1	-12	-42	-33	-40	-35	-30
MD4003A	-1.1	-16	-16	-14.1	-10	-42	-33	/	/	/
MD4004A	-1.1	-16	-16	-14.1	-10	-42	-33	/	/	/

Note : Isolation Voltage (HiPot) of 1500Vrms

MECHANICAL SPECIFICATIONS

MD4001D



NOTE. DIMENSIONS:MM(INCHES)/UNLESS OTHERWISE SPECIFIED ALL TOLERANCES ARE $\pm 0.25(0.010)$.

EKO TECH CO. LTD.

HEAD OFFICE :

5F-1, 128, Xinhua 2nd. Rd.,

Neihu Chiu, Taipei, Taiwan 114

TEL : 886- 2- 2791- 9208

FAX : 886- 2- 2791- 9271

Email : sales@eko.com.tw

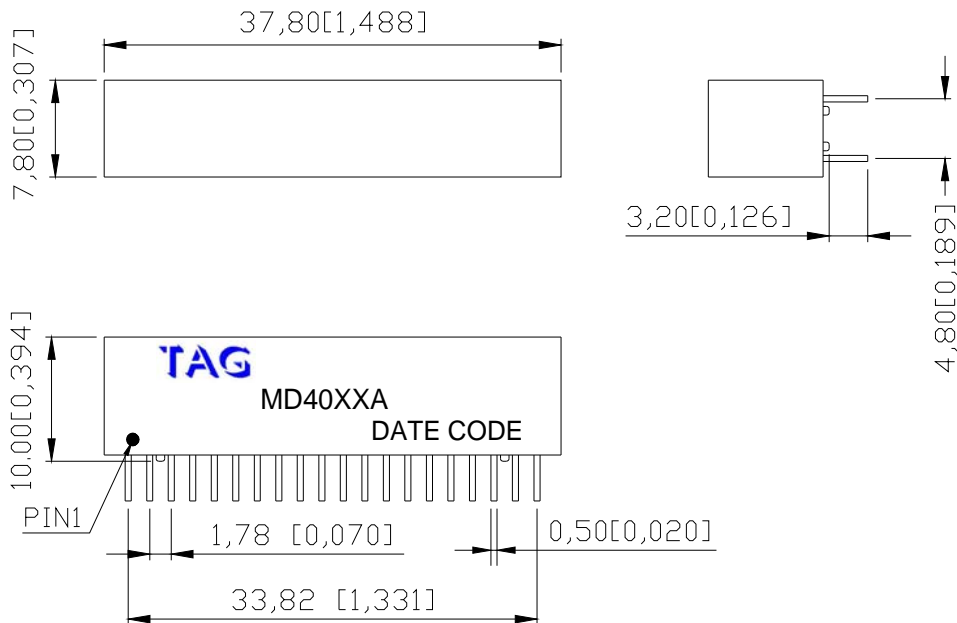
Data subject to change without notice. Please contact Tag for assistance locating product specifications

EKO TECH CO. LTD.

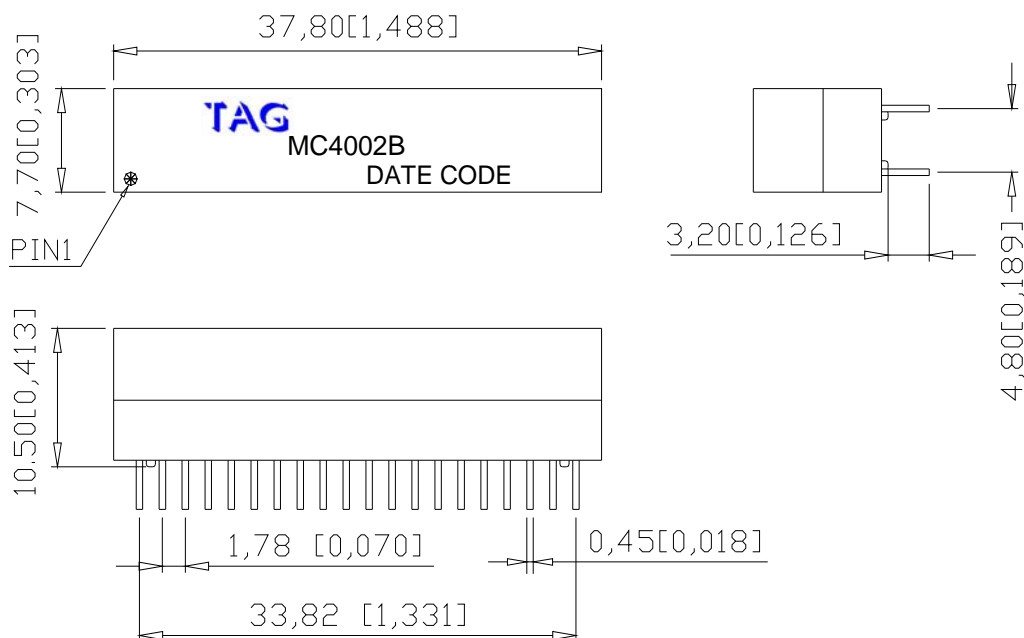
10/100 BASE-T TRANSFORMER MODULES

MECHANICAL SPECIFICATIONS

MD40XXA



MC4002B



NOTE. DIMENSIONS:MM(INCHES)/UNLESS OTHERWISE SPECIFIED ALL TOLERANCES ARE $\pm 0.25(0.010)$.

EKO TECH CO. LTD.

HEAD OFFICE :

TEL : 886- 2- 2791- 9208

5F-1, 128, Xinhu 2nd. Rd.,

FAX : 886- 2- 2791- 9271

Neihu Chiu, Taipei, Taiwan 114

Email : sales@eko.com.tw

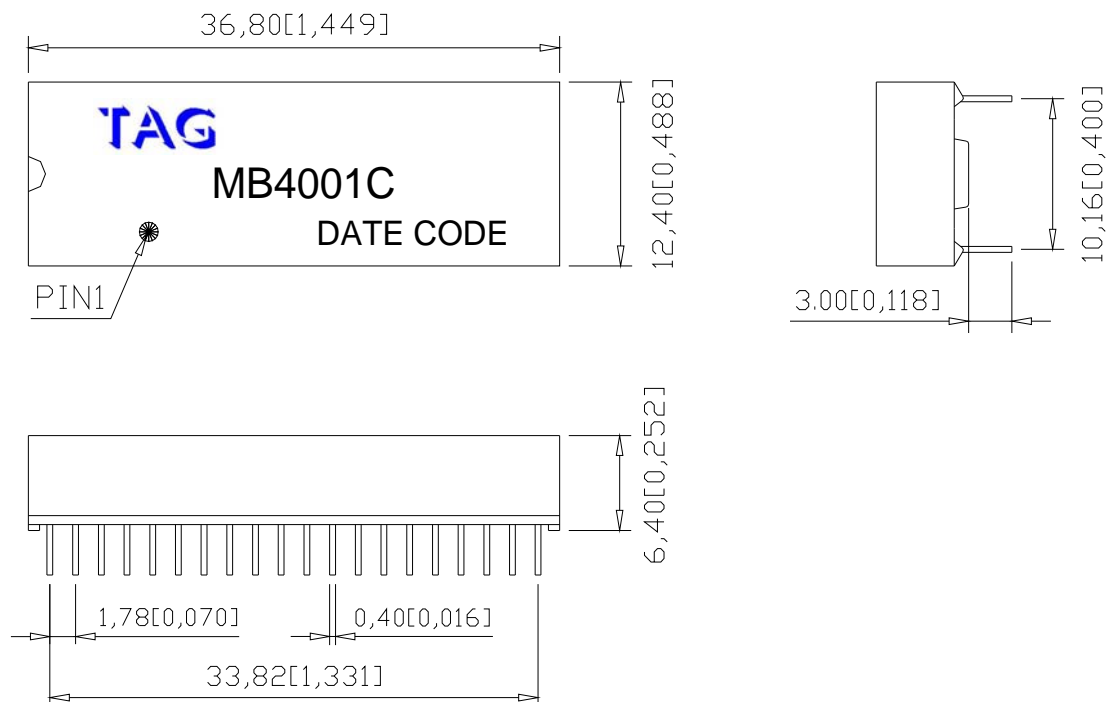
Data subject to change without notice. Please contact Tag for assistance locating product specifications

EKO TECH CO. LTD.

10/100 BASE-T TRANSFORMER MODULES

MECHANICAL SPECIFICATIONS

MB4001C



NOTE. DIMENSIONS:MM(INCHES)/UNLESS OTHERWISE SPECIFIED ALL TOLERANCES ARE $\pm 0.25(0.010)$.

EKO TECH CO. LTD.

HEAD OFFICE :

5F-1, 128, Xinhua 2nd. Rd.,

Neihu Chiu, Taipei, Taiwan 114

TEL : 886- 2- 2791- 9208

FAX : 886- 2- 2791- 9271

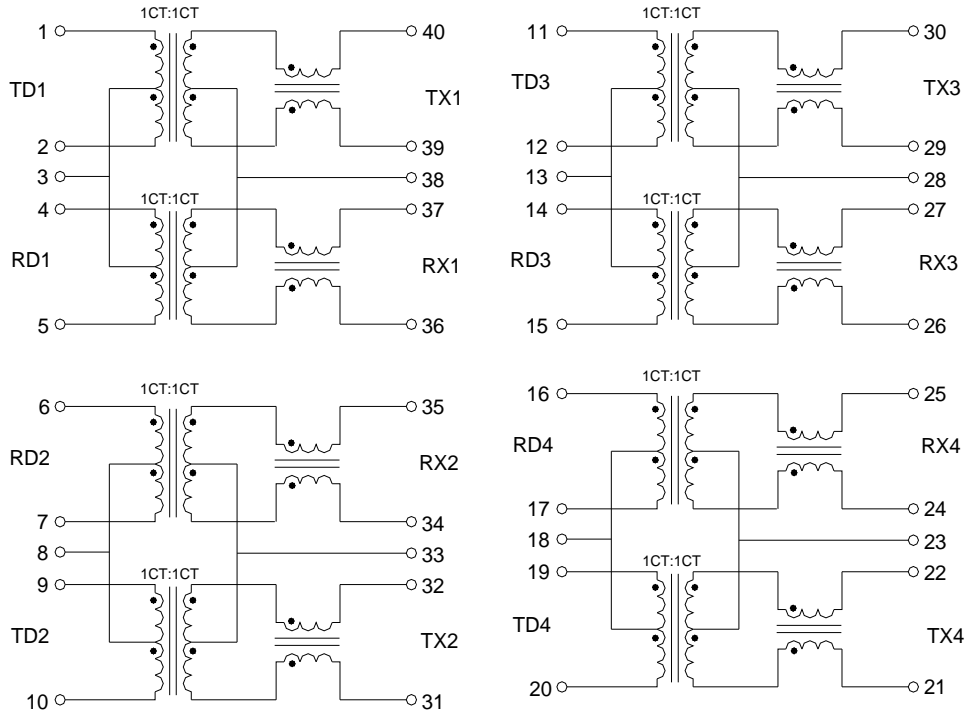
Email : sales@eko.com.tw

EKO TECH CO. LTD.

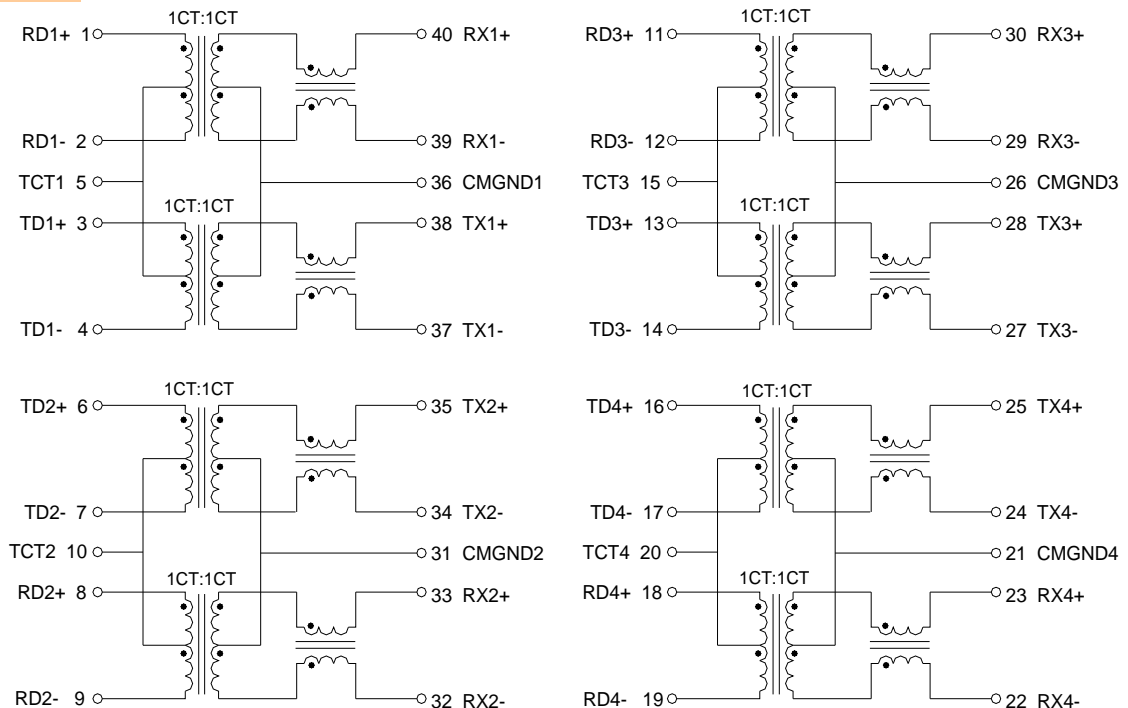
10/100 BASE-T TRANSFORMER MODULES

SCHEMATICS

MD4001X



MD4002A \ MC4002B



EKO TECH CO. LTD.

HEAD OFFICE :

5F-1, 128, Xinhua 2nd. Rd.,

Neihu Chiu, Taipei, Taiwan 114

TEL : 886- 2- 2791- 9208

FAX : 886- 2- 2791- 9271

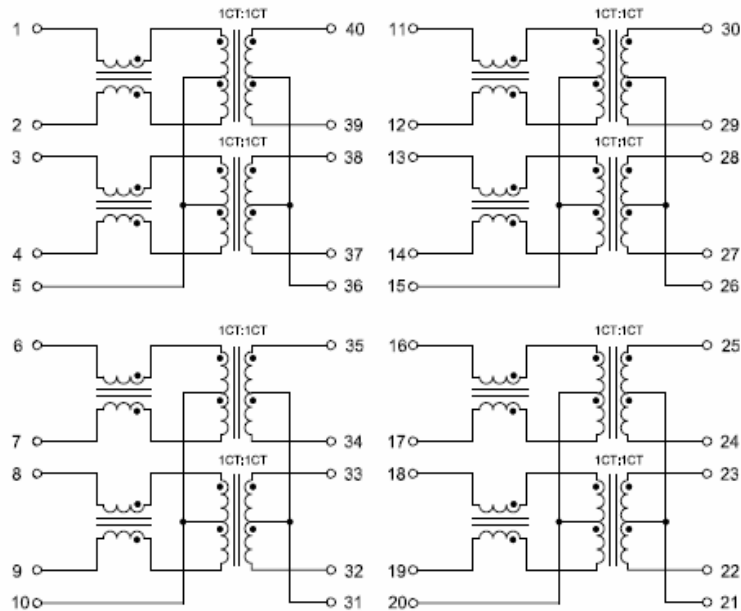
Email : sales@eko.com.tw

EKO TECH CO. LTD.

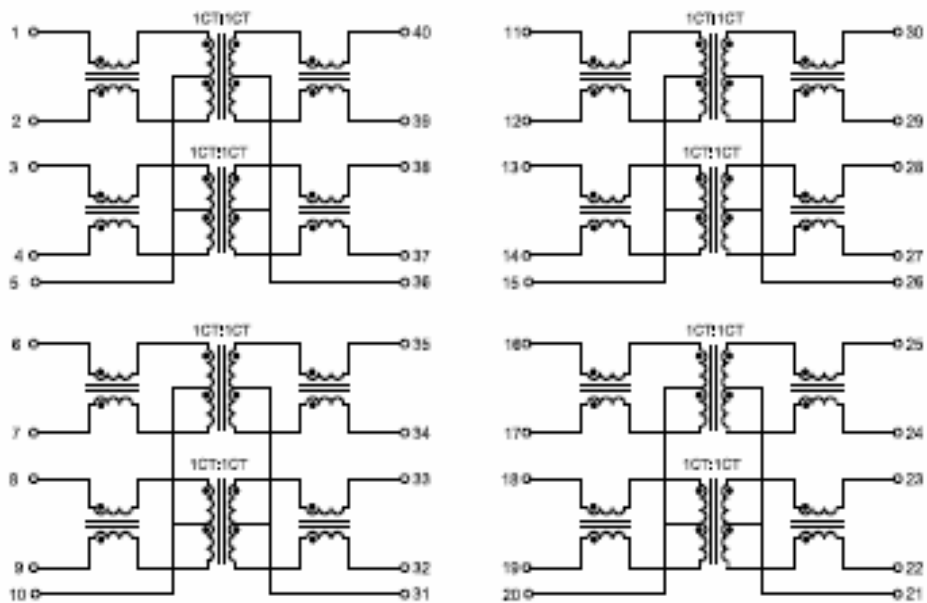
10/100 BASE-T TRANSFORMER MODULES

SCHEMATICS

MD4003X



MD4003X



EKO TECH CO. LTD.

HEAD OFFICE :

TEL : 886- 2- 2791- 9208

5F-1, 128, Xinhua 2nd. Rd.,

FAX : 886- 2- 2791- 9271

Neihu Chiu, Taipei, Taiwan 114

Email : sales@eko.com.tw

EKO TECH CO. LTD.

10/100 BASE-T TRANSFORMER MODULES

Magnetic Designs To Support Every PHY.

Complies With IEEE 802.3 Standard Including 350uH OCL With 8mA Bias.

Operating Temperature Range: 0°C to +70°C.

For RoHS Compliance.

ELECTRICAL SPECIFICATIONS @ 25°C - Operating Temperature 0°C to 70°C

Part Number	Insertion Loss (dB max)		Return Loss (dB min)			Crosstalk (dB min)		CMRR (dB min)		
	1-100MHz	1-30MHz	40MHz	50MHz	60-80MHz	1-30MHz	60-100MHz	1-30MHz	60MHz	80-100MHz
MD5001D	-1.1	-18	-14.4	-13.1	-12	-42	-33	-40	-35	-30
MD5002D	-1.1	-18	-14.4	-13.1	-12	-42	-33	-40	-35	-30
MB5001A	-1.1	-18	-14.4	-13.1	-12	-42	-33	-40	-35	-30

Note : Isolation Voltage (HiPot) of 1500Vrms

EKO TECH CO. LTD.

HEAD OFFICE :

5F-1, 128, Xinhu 2nd. Rd.,

Neihu Chiu, Taipei, Taiwan 114

TEL : 886- 2- 2791- 9208

FAX : 886- 2- 2791- 9271

Email : sales@eko.com.tw

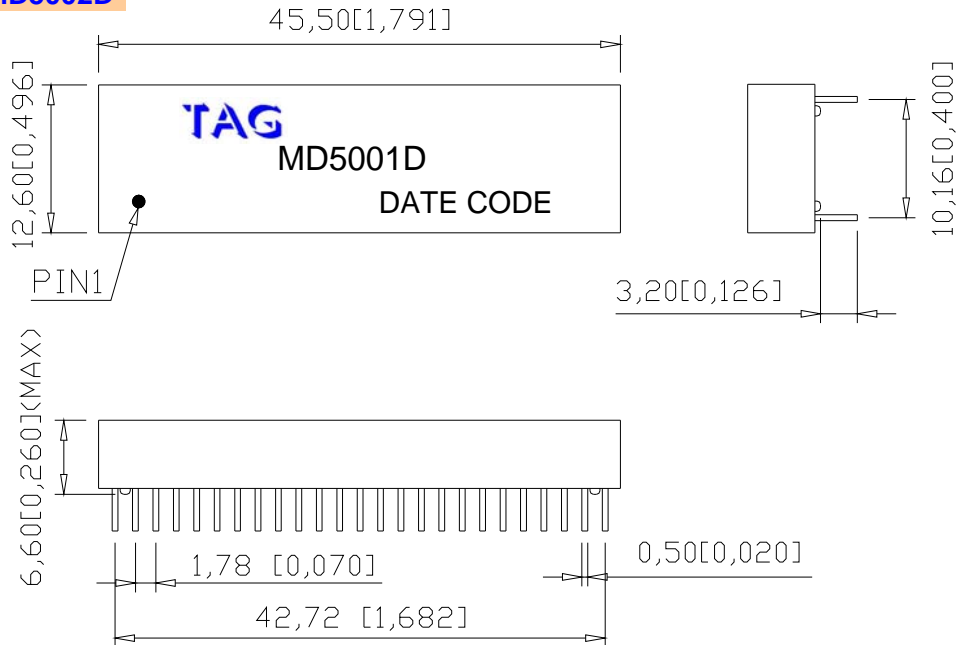
Data subject to change without notice. Please contact Tag for assistance locating product specifications

EKO TECH CO. LTD.

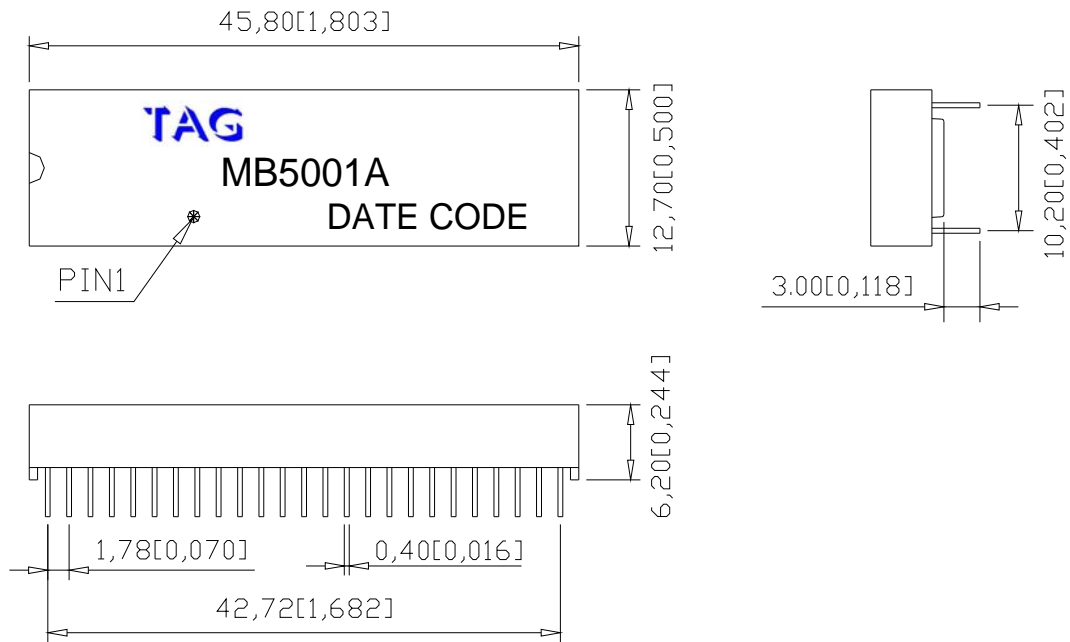
10/100 BASE-T TRANSFORMER MODULES

MECHANICAL

MD5001D\MD5002D



MB5001A



NOTE. DIMENSIONS:MM(INCHES)/UNLESS OTHERWISE SPECIFIED ALL TOLERANCES ARE $\pm 0.25(0.010)$.

EKO TECH CO. LTD.

HEAD OFFICE :

TEL : 886- 2- 2791- 9208

5F-1, 128, Xinhu 2nd. Rd.,

FAX : 886- 2- 2791- 9271

Neihu Chiu, Taipei, Taiwan 114

Email : sales@eko.com.tw

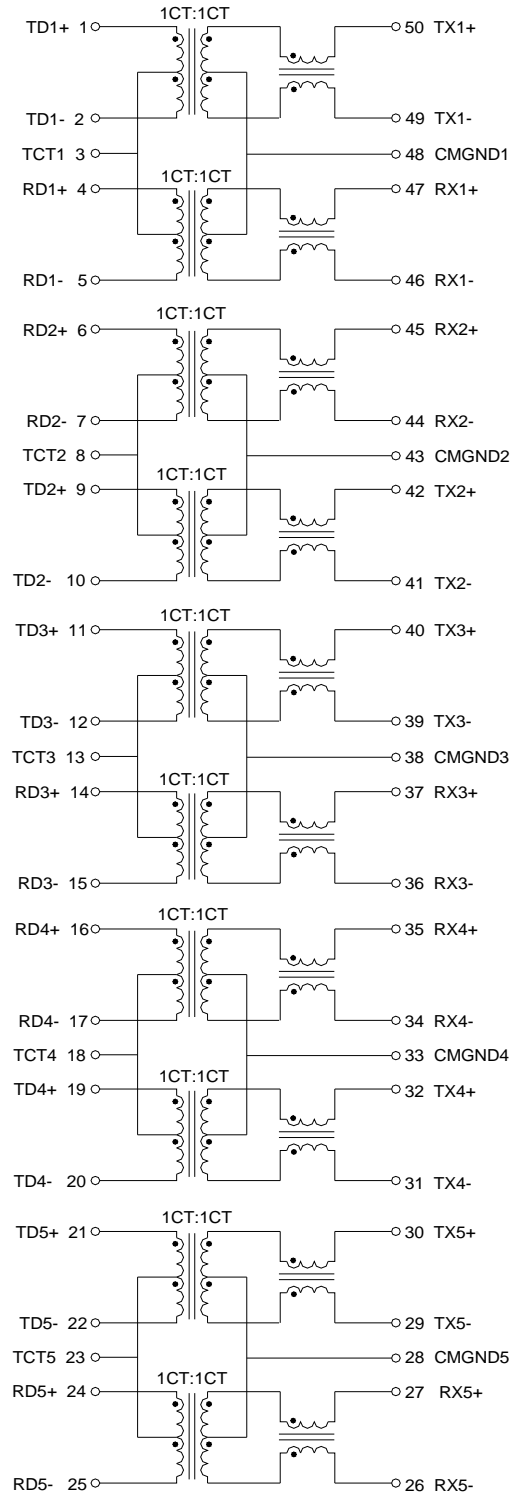
Data subject to change without notice. Please contact Tag for assistance locating product specifications

EKO TECH CO. LTD.

10/100 BASE-T TRANSFORMER MODULES

SCHEMATICS

MD5001D



EKO TECH CO. LTD.

HEAD OFFICE :

5F-1, 128, Xinhua 2nd. Rd.,

Neihu Chiu, Taipei, Taiwan 114

TEL : 886- 2- 2791- 9208

FAX : 886- 2- 2791- 9271

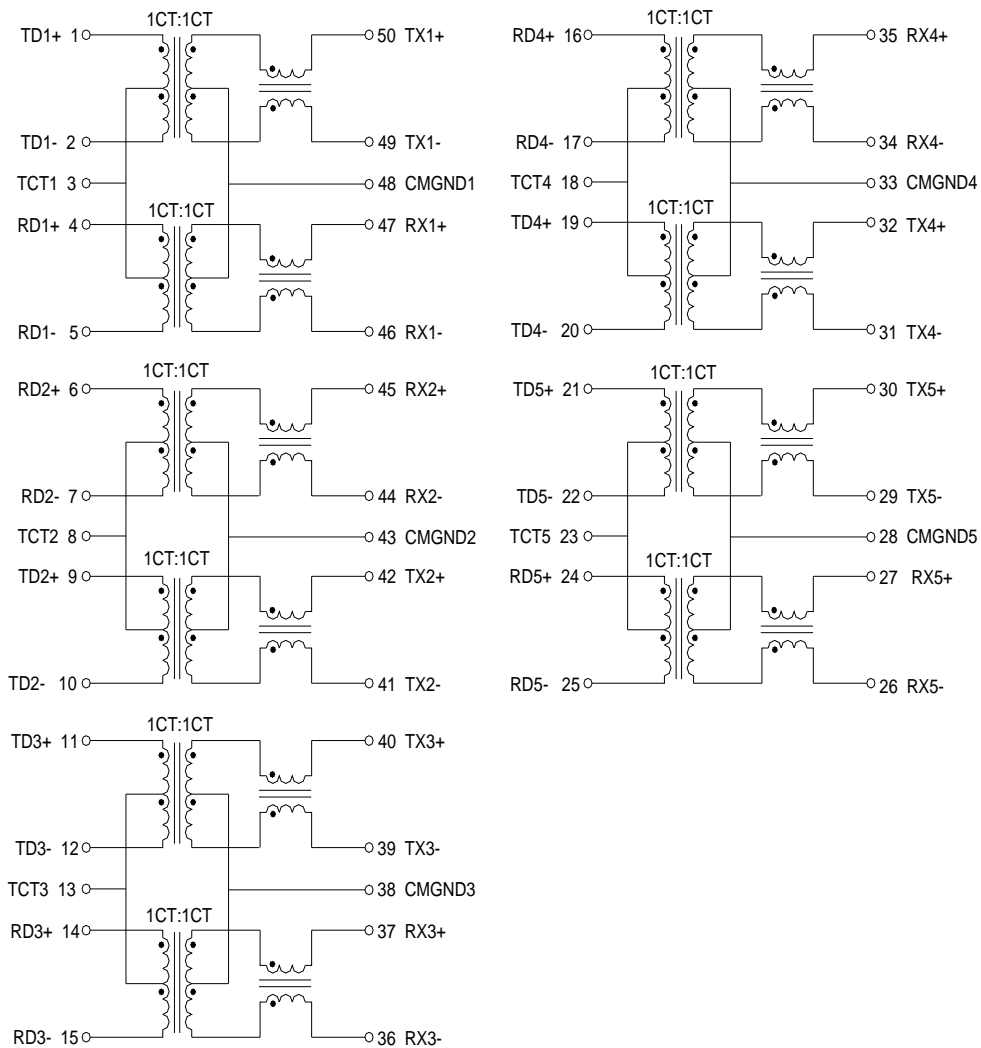
Email : sales@eko.com.tw

EKO TECH CO. LTD.

10/100 BASE-T TRANSFORMER MODULES

SCHEMATICS

MD5002D



EKO TECH CO. LTD.

HEAD OFFICE :

5F-1, 128, Xinhu 2nd. Rd.,

Neihu Chiu, Taipei, Taiwan 114

TEL : 886- 2- 2791- 9208

FAX : 886- 2- 2791- 9271

Email : sales@eko.com.tw

EKO TECH CO. LTD.

10/100 BASE-T TRANSFORMER MODULES

Magnetic Designs To Support Every PHY.

Complies With IEEE802.3 Standard Including 350uH Min OCL With 8mA Bias.

Storage Temperature Range:-25°C to +125°C.

For RoHS Compliance.

ELECTRICAL SPECIFICATIONS @ 25°C - Operating Temperature 0°C to 70°C

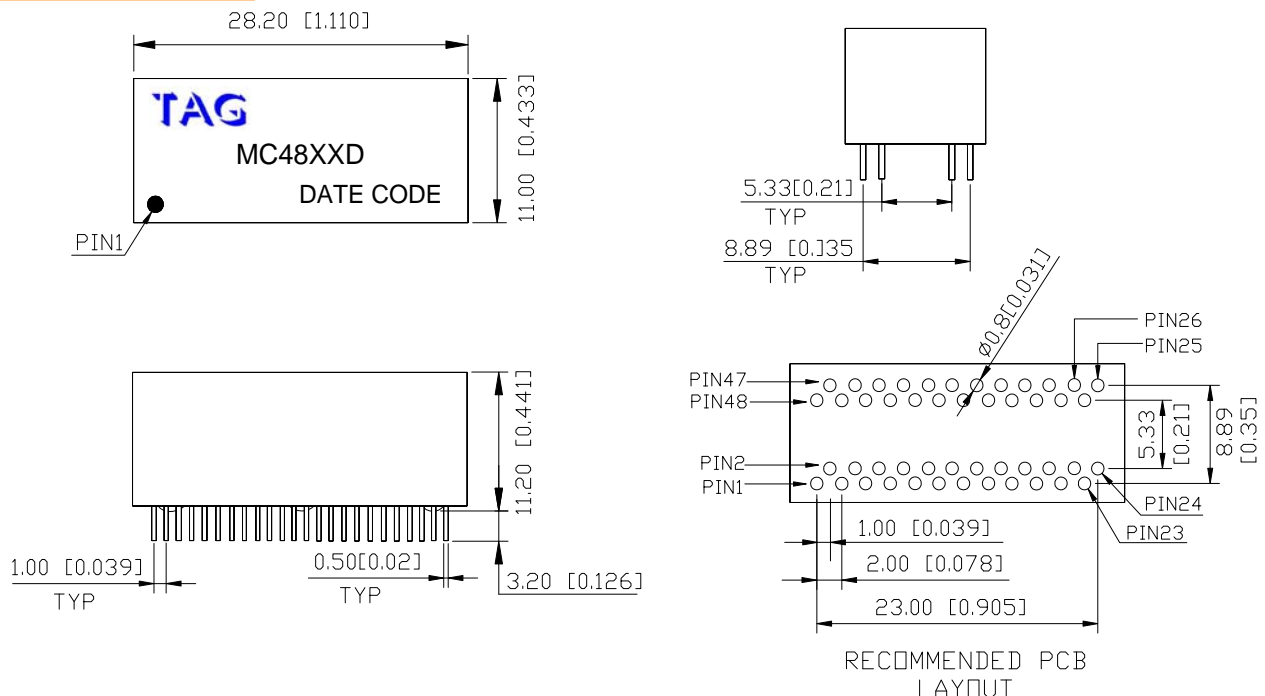
Part Number	Insertion Loss (dB max)		Return Loss (dB min)			Crosstalk (dB min)		CMRR (dB min)		
	1-100MHz	1-30MHz	40MHz	50MHz	60-80MHz	1-30MHz	60-100MHz	1-30MHz	60MHz	80-100MHz
MC4801D	-1.0	-18	-14.4	-13.1	-12	-40	-30	-40	-35	-30
MC4801DP	-1.0	-18	-14.4	-13.1	-12	-40	-30	-40	-35	-30

Note : Isolation Voltage (HiPot) of 1500Vrms

“P” With POE(720mA Current Capability)

MECHANICAL SPECIFICATIONS

MC48XXD/MC48XXDX



NOTE. DIMENSIONS:MM(INCHES)/UNLESS OTHERWISE SPECIFIED ALL TOLERANCES ARE ±0.25(0.010).

EKO TECH CO. LTD.

HEAD OFFICE :

5F-1, 128, Xinhua 2nd. Rd.,

Neihu Chiu, Taipei, Taiwan 114

TEL : 886- 2- 2791- 9208

FAX : 886- 2- 2791- 9271

Email : sales@eko.com.tw

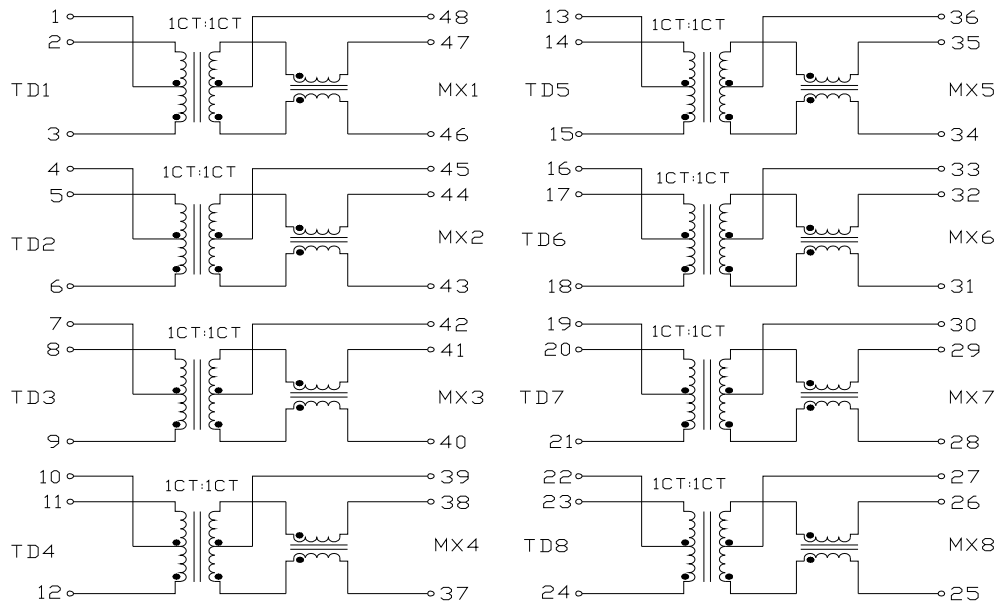
Data subject to change without notice. Please contact Tag for assistance locating product specifications

EKO TECH CO. LTD.

10/100 BASE-T TRANSFORMER MODULES

SCHEMATICS

MC4801X/MC4801XX



EKO TECH CO. LTD.

HEAD OFFICE :

5F-1, 128, Xinhua 2nd. Rd.,

Neihu Chiu, Taipei, Taiwan 114

TEL : 886- 2- 2791- 9208

FAX : 886- 2- 2791- 9271

Email : sales@eko.com.tw

EKO TECH CO. LTD.

10/100 BASE-T TRANSFORMER MODULES

Magnetic Designs To Support Every PHY.

Complies With IEEE802.3 Standard Including 350uH Min OCL With 8mA Bias.

Storage Temperature Range:-25°C to +125°C.

For RoHS Compliance.

ELECTRICAL SPECIFICATIONS @ 25°C - Operating Temperature 0°C to 70°C

Part Number	Insertion Loss (dB max)		Return Loss (dB min)				Crosstalk (dB min)			CMRR (dB min)		
	1-100Mhz	1-30MHz	40MHz	50MHz	60-80MHz	100MHz	30MHz	60MHz	100MHz	30MHz	60MHz	100MHz
MC7201C	-1.0	-18	-14.4	-13.1	-12	-10	-40	-35	-30	-40	-35	-30
MD7202D	-1.0	-18	-15	-13	-13	-10	-40	-35	-30	-40	-35	-30

Note : Isolation Voltage (HiPot) of 1500Vrms

EKO TECH CO. LTD.

HEAD OFFICE :

5F-1, 128, Xinhu 2nd. Rd.,

Neihu Chiu, Taipei, Taiwan 114

TEL : 886- 2- 2791- 9208

FAX : 886- 2- 2791- 9271

Email : sales@eko.com.tw

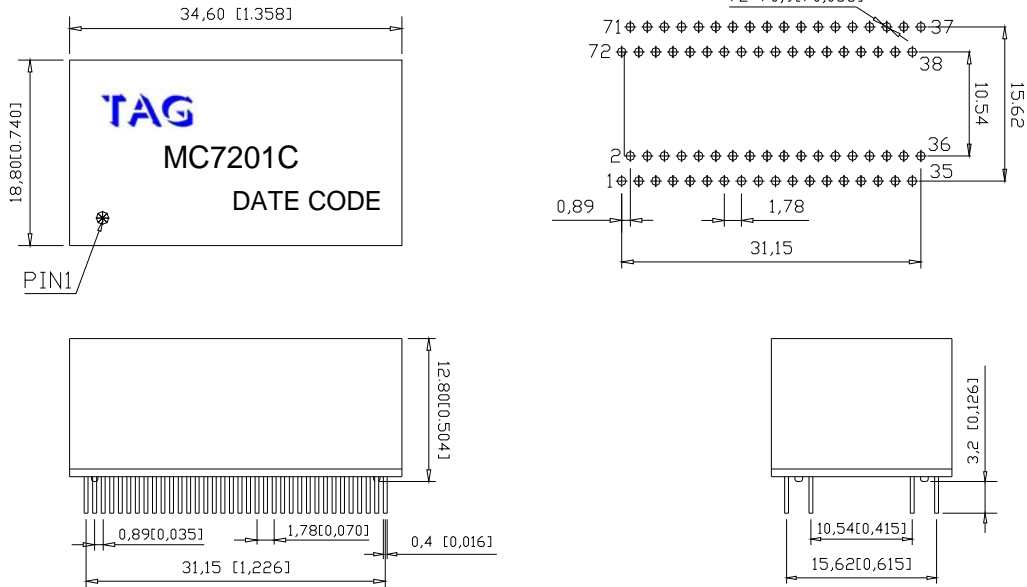
Data subject to change without notice. Please contact Tag for assistance locating product specifications

EKO TECH CO. LTD.

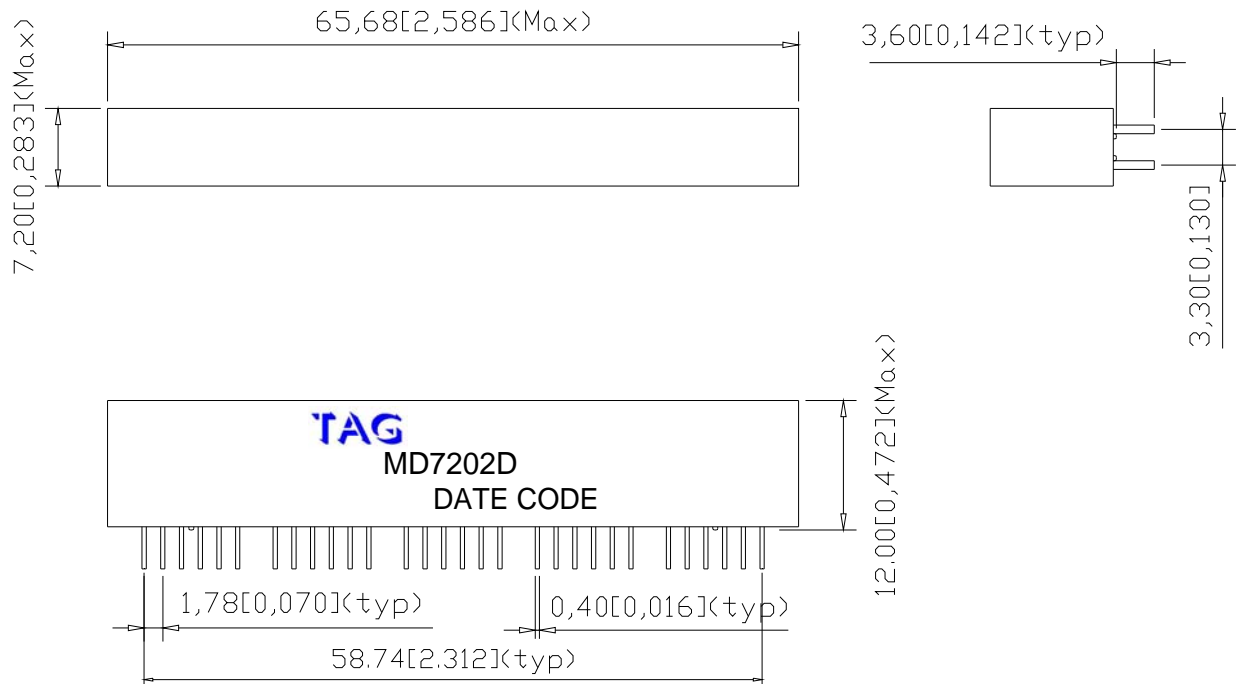
10/100 BASE-T TRANSFORMER MODULES

MECHANICAL SPECIFICATIONS

MC7201C



MD7202D



NOTE. DIMENSIONS:MM(INCHES)/UNLESS OTHERWISE SPECIFIED ALL TOLERANCES ARE $\pm 0.25(0.010)$.

EKO TECH CO. LTD.

HEAD OFFICE :

5F-1, 128, Xinhua 2nd. Rd.,

Neihu Chiu, Taipei, Taiwan 114

TEL : 886- 2- 2791- 9208

FAX : 886- 2- 2791- 9271

Email : sales@eko.com.tw

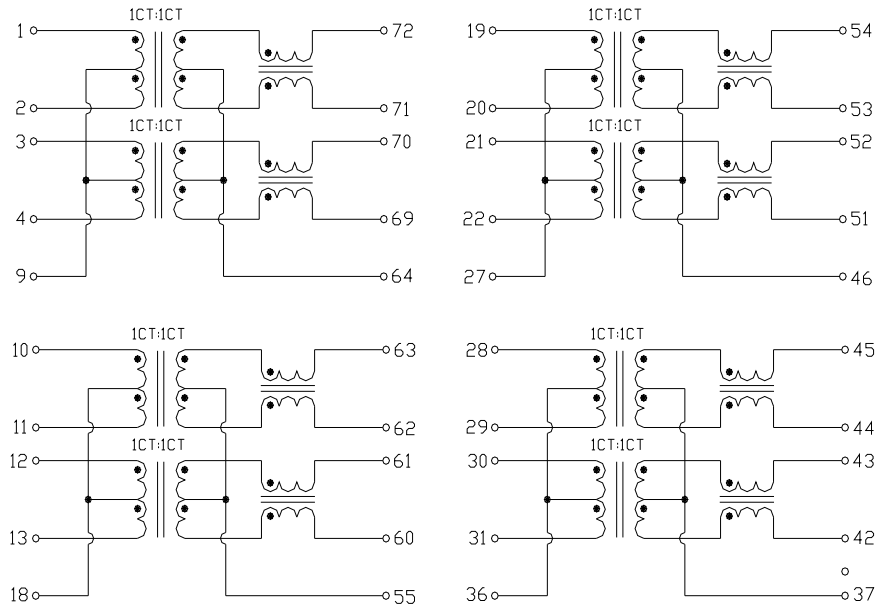
Data subject to change without notice. Please contact Tag for assistance locating product specifications

EKO TECH CO. LTD.

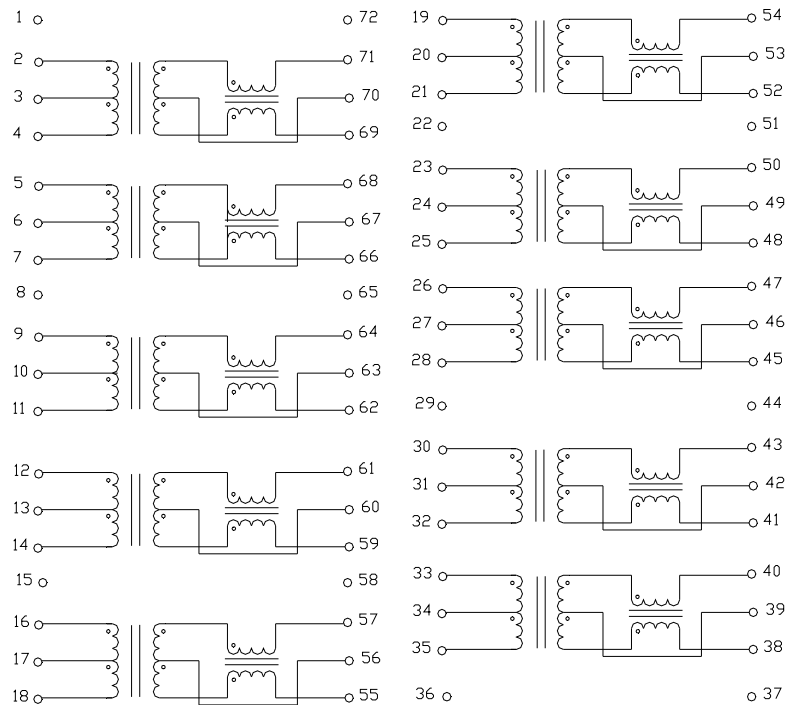
10/100 BASE-T TRANSFORMER MODULES

SCHEMATICS

MC7201C



MD7202D



EKO TECH CO. LTD.

HEAD OFFICE :

5F-1, 128, Xinhua 2nd. Rd.,

Neihu Chiu, Taipei, Taiwan 114

TEL : 886- 2- 2791- 9208

FAX : 886- 2- 2791- 9271

Email : sales@eko.com.tw

EKO TECH CO. LTD.

100/1000 BASE-T TRANSFORMER MODULES

Designed To Meet IEEE802.3 And ANSI X3.263 Standards.

Compliant With IEEE802.3 ab Standard For 1000Base-T.

Supports 4 Pairs Of Category 5 UTP Cable.

For RoHS Compliance.

ELECTRICAL SPECIFICATIONS @ 25°C - Operating Temperature 0°C to 70°C

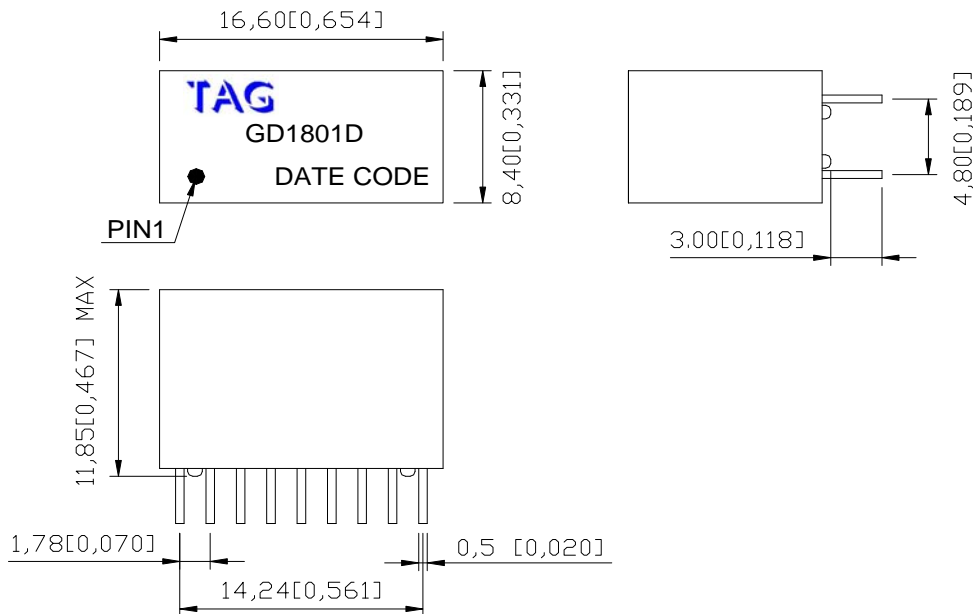
Part Number	Insertion Loss (dB max)		Return Loss (dB min)				Crosstalk (dB min)			CMRR (dB min)		
	1-100MHz	1-30MHz	40MHz	50MHz	60-80MHz	100MHz	1-30MHz	60MHz	100MHz	1-30MHz	30-60MHz	60-125MHz
GD1801D	-1.1	-18	-14	-13.1	-12	-10	-40	-35	-30	-40	-35	-30
GC1801A	-1.1	-18	-14	-13.1	-12	-10	-40	-35	-30	-40	-35	-30
GC1801AI	-1.1	-18	-14	-13.1	-12	-10	-40	-35	-30	-40	-35	-30
GC1802A	-1.1	-15	-13	-13	-11	-11	-40	-35	-30	-30	-25	-20
GC1803A	-1.1	-18.5	-14	-13	-12	-11	-35	-33	-31	-38	-35	-30
GC1804A	-1.1	-18	-14	-13.1	-12	-10	-40	-35	-30	-40	-35	-30

Note : Isolation Voltage (HiPot) of 1500Vrms

“T” with Extended Temperature(-40°C to +85°C)

MECHANICAL SPECIFICATIONS

GD1801D



NOTE. DIMENSIONS:MM(INCHES)/UNLESS OTHERWISE SPECIFIED ALL TOLERANCES ARE $\pm 0.25(0.010)$.

EKO TECH CO. LTD.

HEAD OFFICE :

5F-1, 128, Xinhu 2nd. Rd.,

Neihu Chiu, Taipei, Taiwan 114

TEL : 886- 2- 2791- 9208

FAX : 886- 2- 2791- 9271

Email : sales@eko.com.tw

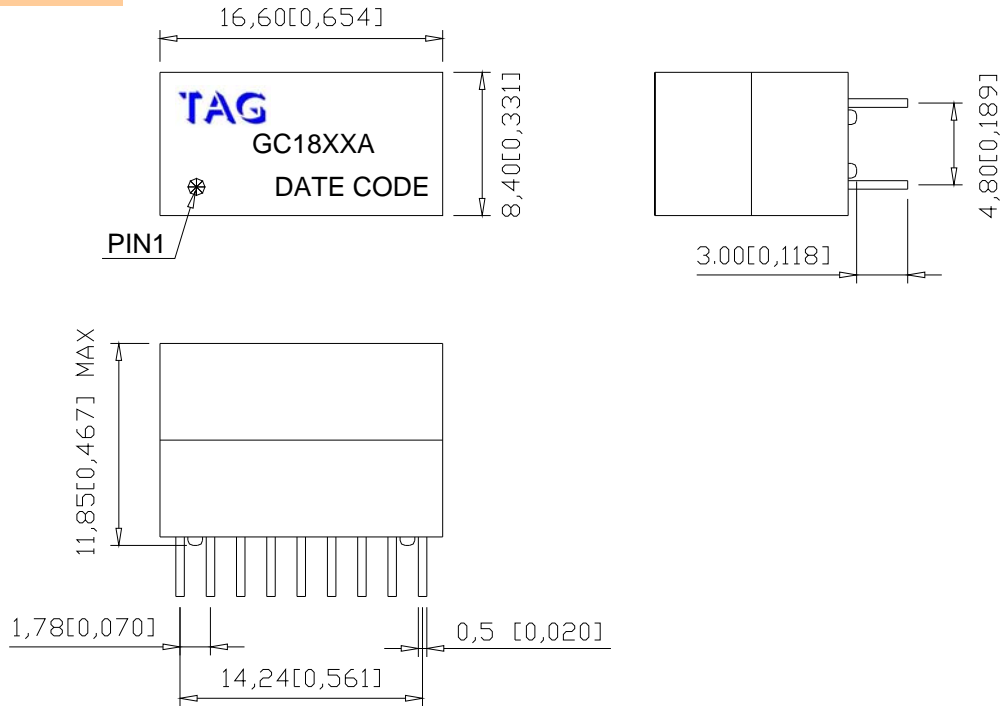
Data subject to change without notice. Please contact Tag for assistance locating product specifications

EKO TECH CO. LTD.

100/1000 BASE-T TRANSFORMER MODULES

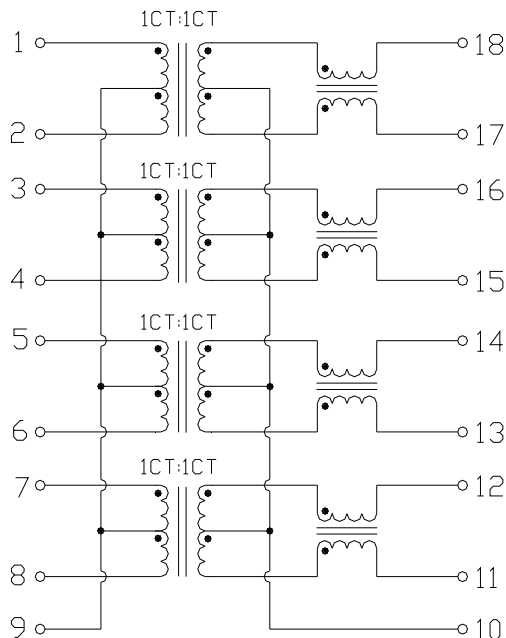
MECHANICAL SPECIFICATIONS

GC18XXA\GC18XXAI



SCHEMATICS

GD1801X\GC1801X\GC1801XX



EKO TECH CO. LTD.

HEAD OFFICE :

5F-1, 128, Xinhua 2nd. Rd.,

Neihu Chiu, Taipei, Taiwan 114

TEL : 886- 2- 2791- 9208

FAX : 886- 2- 2791- 9271

Email : sales@eko.com.tw

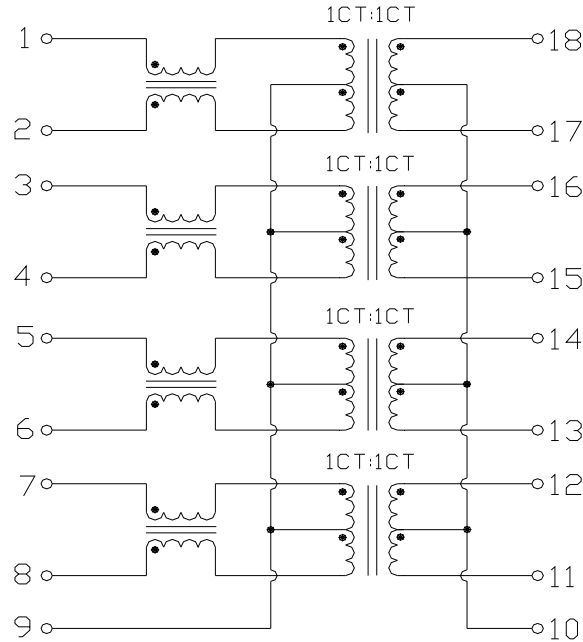
Data subject to change without notice. Please contact Tag for assistance locating product specifications

EKO TECH CO. LTD.

100/1000 BASE-T TRANSFORMER MODULES

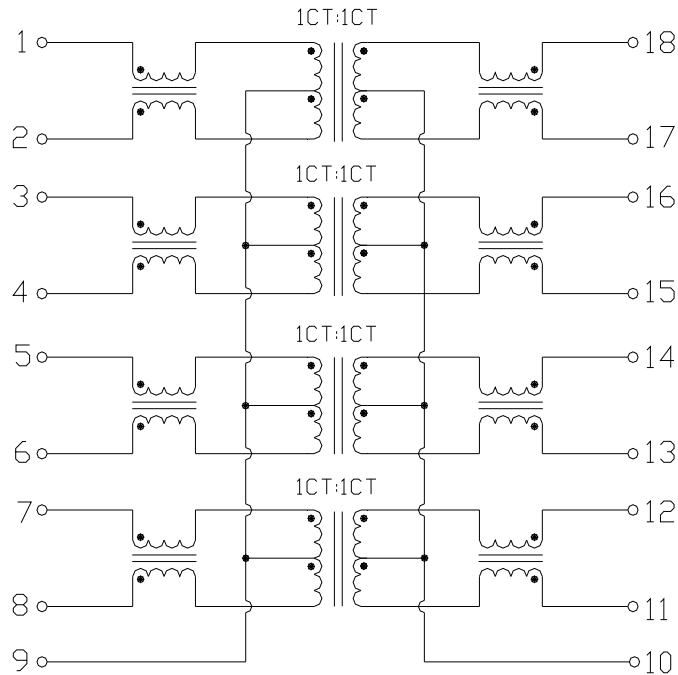
SCHEMATICS

GC1802A



SCHEMATICS

GC1803A



EKO TECH CO. LTD.

HEAD OFFICE :

5F-1, 128, Xinhua 2nd. Rd.,

Neihu Chiu, Taipei, Taiwan 114

TEL : 886- 2- 2791- 9208

FAX : 886- 2- 2791- 9271

Email : sales@eko.com.tw

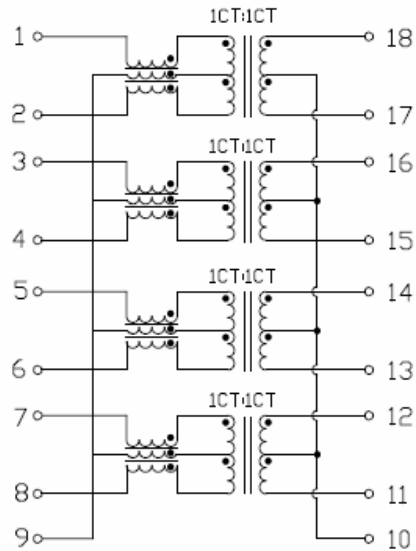
Data subject to change without notice. Please contact Tag for assistance locating product specifications

EKO TECH CO. LTD.

100/1000 BASE-T TRANSFORMER MODULES

SCHEMATICS

GC1804A



SCHEMATICS

EKO TECH CO. LTD.

HEAD OFFICE :

5F-1, 128, Xinhua 2nd. Rd.,

Neihu Chiu, Taipei, Taiwan 114

Data subject to change without notice. Please contact Tag for assistance locating product specifications

TEL : 886- 2- 2791- 9208

FAX : 886- 2- 2791- 9271

Email : sales@eko.com.tw

EKO TECH CO. LTD.

100/1000 BASE-T TRANSFORMER MODULES

Designed To Meet IEEE802.3 And ANSI X3.263 Standards.

Compliant With IEEE802.3 ab Standard For 1000Base-T.

Supports 4 Pairs Of Category 5 UTP Cable.

For RoHS Compliance.

ELECTRICAL SPECIFICATIONS @ 25°C - Operating Temperature 0°C to 70°C

Part Number	Insertion Loss (dB max)			Return Loss (dB min)			Crosstalk (dB min)			CMRR (dB min)		
	1-100Mhz	1-30MHz	60-80MHz	100MHz	1-30MHz	60MHz	100MHz	1-30MHz	60MHz	100MHz		
GB2401A	-1.1	-18	-12	-10	-40	-35	-30	-40	-35	-30		
GC2401D	-1.1	-18	-14.4	-13.1	-40	-35	-30	-40	-35	-30		
GC2401DIP	-1.1	-18	-14.4	-13.1	-40	-35	-30	-40	-35	-30		
GC2401DI	-1.1	-18	-14.4	-13.1	-40	-35	-30	-40	-35	-30		
GC2401DP	-1.1	-18	-14.4	-13.1	-40	-35	-30	-40	-35	-30		
GC2402D	-1.1	-18	-14.4	-13.1	-40	-35	-30	-40	-35	-30		
GC2402DIP	-1.1	-18	-14.4	-13.1	-40	-35	-30	-40	-35	-30		
GC2403DP	-1.1	-18	-16	-10	-40	-35	-30	-40	-35	-30		
GC2404D	-1.1	-18	-12	-10	-40	-35	-30	-40	-35	-30		
GC2405D	-1.1	-18	-12	-10	-40	-35	-30	-40	-35	-30		
GC2406DIP	-1.1	-18	-12	-10	-40	-35	-30	-40	-35	-30		

Note : Isolation Voltage (HiPot) of 1500Vrms

“T” with Extended Temperature(-40°C to +85°C)

“P” With POE(720mA Current Capability)

NOTE. DIMENSIONS:MM(INCHES)/UNLESS OTHERWISE SPECIFIED ALL TOLERANCES ARE ±0.25(0.010).

EKO TECH CO. LTD.

HEAD OFFICE :

5F-1, 128, Xiniu 2nd. Rd.,

Neihu Chiu, Taipei, Taiwan 114

TEL : 886- 2- 2791- 9208

FAX : 886- 2- 2791- 9271

Email : sales@eko.com.tw

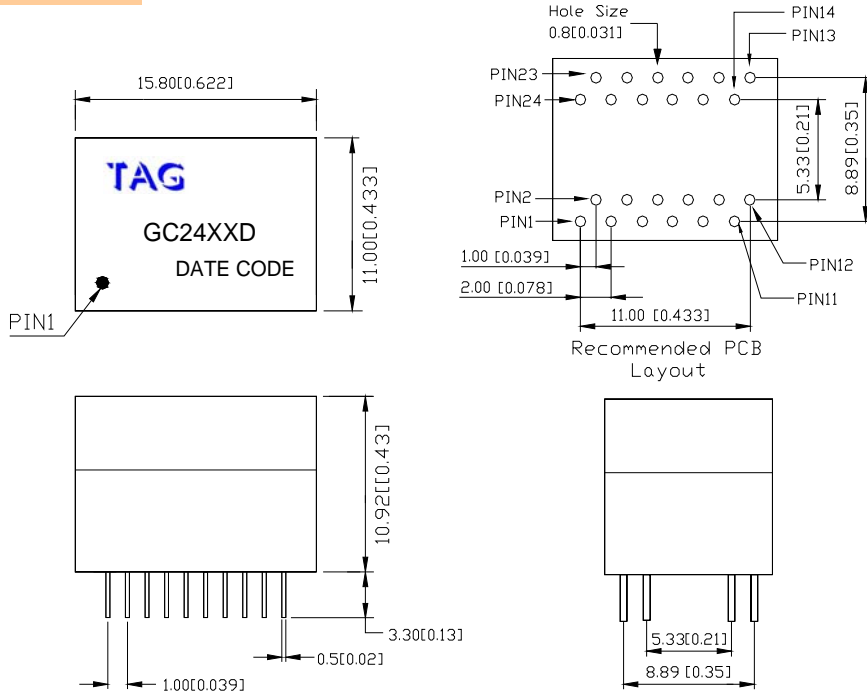
Data subject to change without notice. Please contact Tag for assistance locating product specifications

EKO TECH CO. LTD.

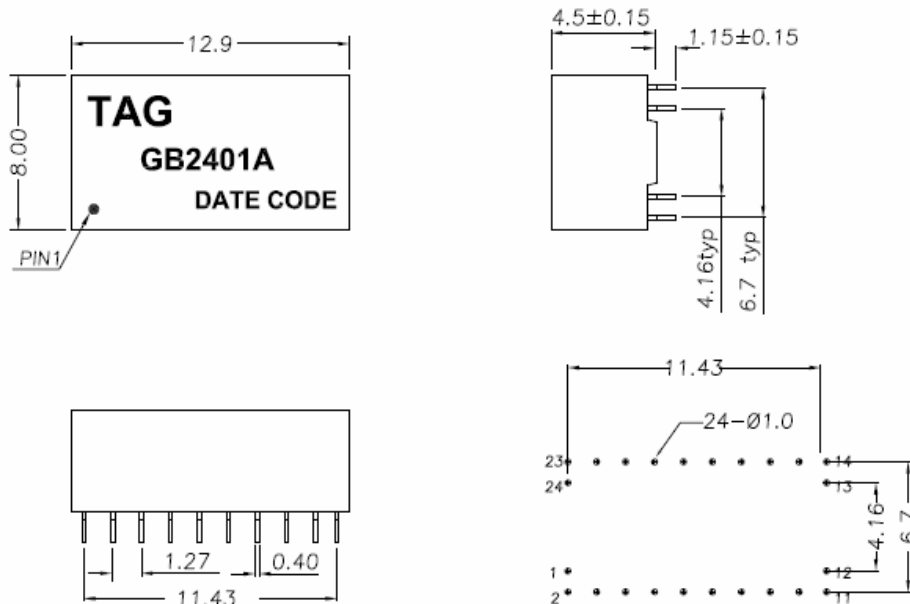
100/1000 BASE-T TRANSFORMER MODULES

MECHANICAL SPECIFICATIONS

GC24XXD\DP\DI\DI



GB24XXA



NOTE. DIMENSIONS:MM(INCHES)/UNLESS OTHERWISE SPECIFIED ALL TOLERANCES ARE ±0.25(0.010).

EKO TECH CO. LTD.

HEAD OFFICE :

5F-1, 128, Xinhu 2nd. Rd.,

Neihu Chiu, Taipei, Taiwan 114

TEL : 886- 2- 2791- 9208

FAX : 886- 2- 2791- 9271

Email : sales@eko.com.tw

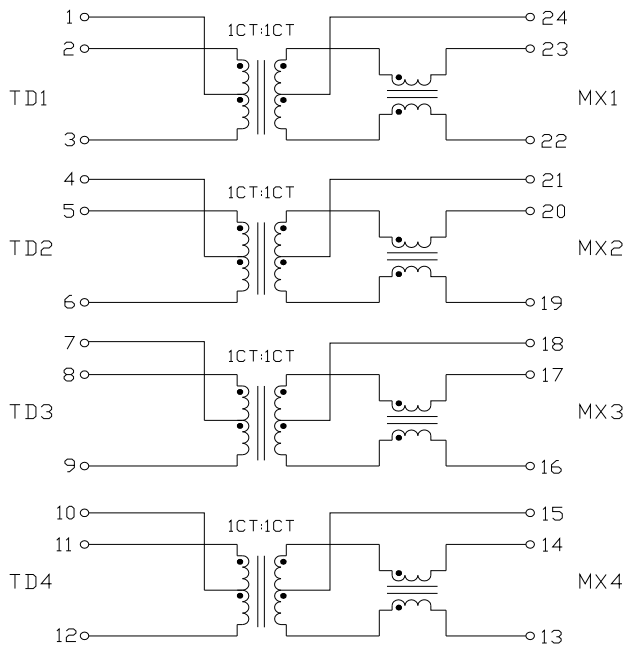
Data subject to change without notice. Please contact Tag for assistance locating product specifications

EKO TECH CO. LTD.

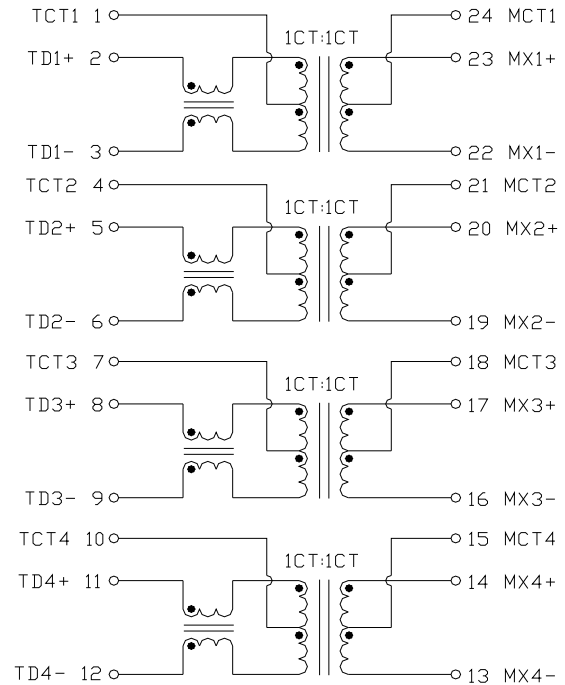
100/1000 BASE-T TRANSFORMER MODULES

SCHEMATICS

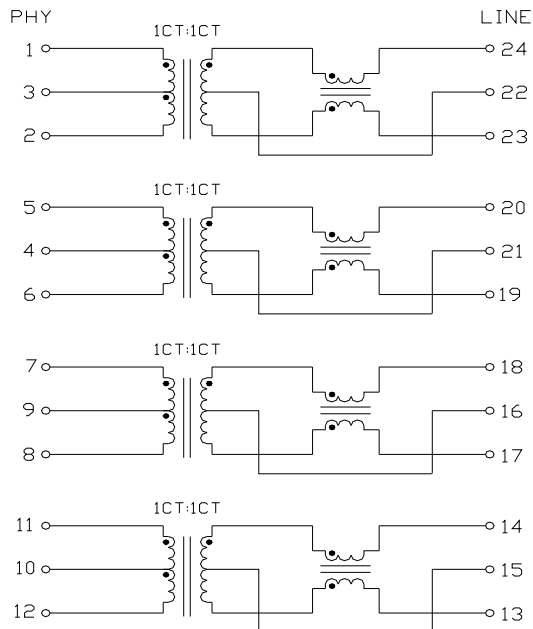
GX2401XX



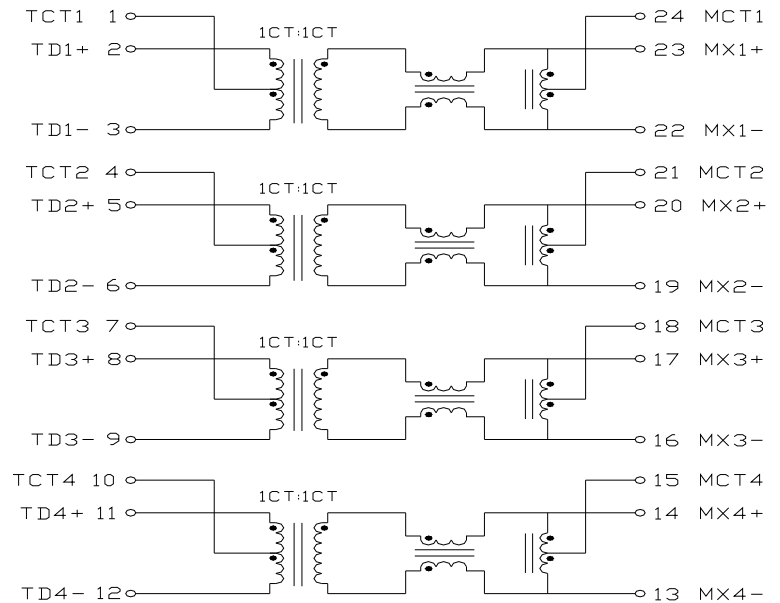
GC2402D



GC2403DP



GC2404X



EKO TECH CO. LTD.

HEAD OFFICE :

5F-1, 128, Xinhu 2nd. Rd.,

Neihu Chiu, Taipei, Taiwan 114

TEL : 886- 2- 2791- 9208

FAX : 886- 2- 2791- 9271

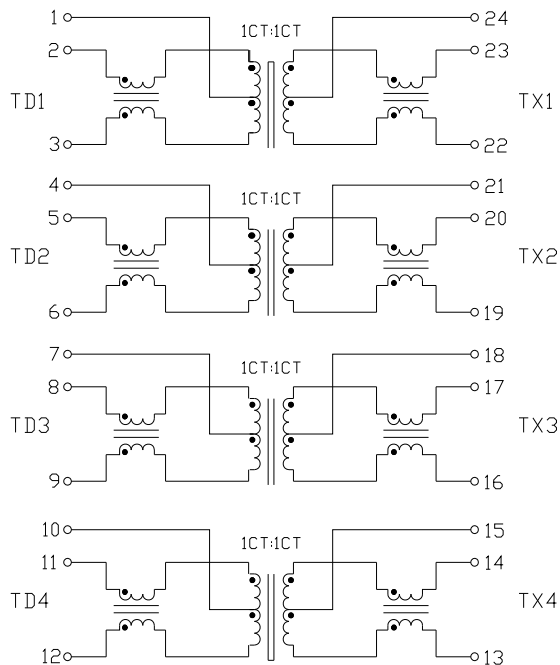
Email : sales@eko.com.tw

EKO TECH CO. LTD.

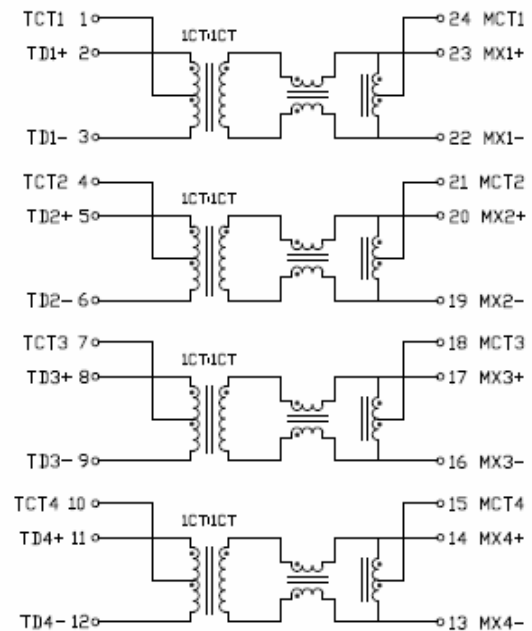
100/1000 BASE-T TRANSFORMER MODULES

SCHEMATICS

GC2405XX



GC2406XX



EKO TECH CO. LTD.

HEAD OFFICE :

5F-1, 128, Xinhua 2nd. Rd.,

Neihu Chiu, Taipei, Taiwan 114

TEL : 886- 2- 2791- 9208

FAX : 886- 2- 2791- 9271

Email : sales@eko.com.tw

EKO TECH CO. LTD.

100/1000 BASE-T TRANSFORMER MODULES

Design For Long Hual Gigabit Ethernet 100/1000 BASE-Tx Full Duplex Applications.

Compliant With IEEE 802ab draft standards for 1000Base-T.

Supports 4 Pairs Of Category 5 UTP Cable.

For RoHS Compliance.

ELECTRICAL SPECIFICATIONS @ 25°C - Operating Temperature 0°C to 70°C

Part Number	Insertion Loss (dB max)		Return Loss (dB min)				Crosstalk (dB min)			CMRR (dB min)		
	1-100MHz	1-30MHz	40MHz	50MHz	60-80MHz	100MHz	1-30MHz	60MHz	100MHz	1-30MHz	30-60MHz	60-125MHz
GD3601D	-1.0	-18	-14.4	-13.1	-12	-10	-40	-35	-30	-40	-35	-30
GD3602D	-1.0	-18	-14.4	-13.1	-12	-10	-40	-35	-30	-40	-35	-30
GC3601A	-1.0	-18	-14.4	-13.1	-12	-10	-40	-35	-30	-40	-35	-30
GC3601AI	-1.0	-18	-14.4	-13.1	-12	-10	-40	-35	-30	-40	-35	-30
GC3603A	-1.1	-15	-13	-13	-11	-11	-40	-35	-30	-30	-25	-20
GC3604A	-1.1	-18	-14.4	-13.1	-12	-10	-40	-35	-30	-40	-35	-30
GC3605A	-1.1	-15	-13	-13	-11	-10	-40	-35	-30	-30	-25	-30
GC3606A	-1.1	-15	-13	-13	-11	-11	-40	-35	-30	-30	-25	-20
GC3607A	-1.1	-18	-14.4	-13.1	-12	-10	-40	-35	-30	-40	-35	-30
GC3608A	-1.1	-15	-13	-13	-11	-10	-40	-35	-30	-30	-25	-30

Note : Isolation Voltage (HiPot) of 1500Vrms

“I” with Extended Temperature(-40°C to +85°C)

NOTE. DIMENSIONS:MM(INCHES)/UNLESS OTHERWISE SPECIFIED ALL TOLERANCES ARE $\pm 0.25(0.010)$.

EKO TECH CO. LTD.

HEAD OFFICE :

5F-1, 128, Xinhu 2nd. Rd.,

Neihu Chiu, Taipei, Taiwan 114

TEL : 886- 2- 2791- 9208

FAX : 886- 2- 2791- 9271

Email : sales@eko.com.tw

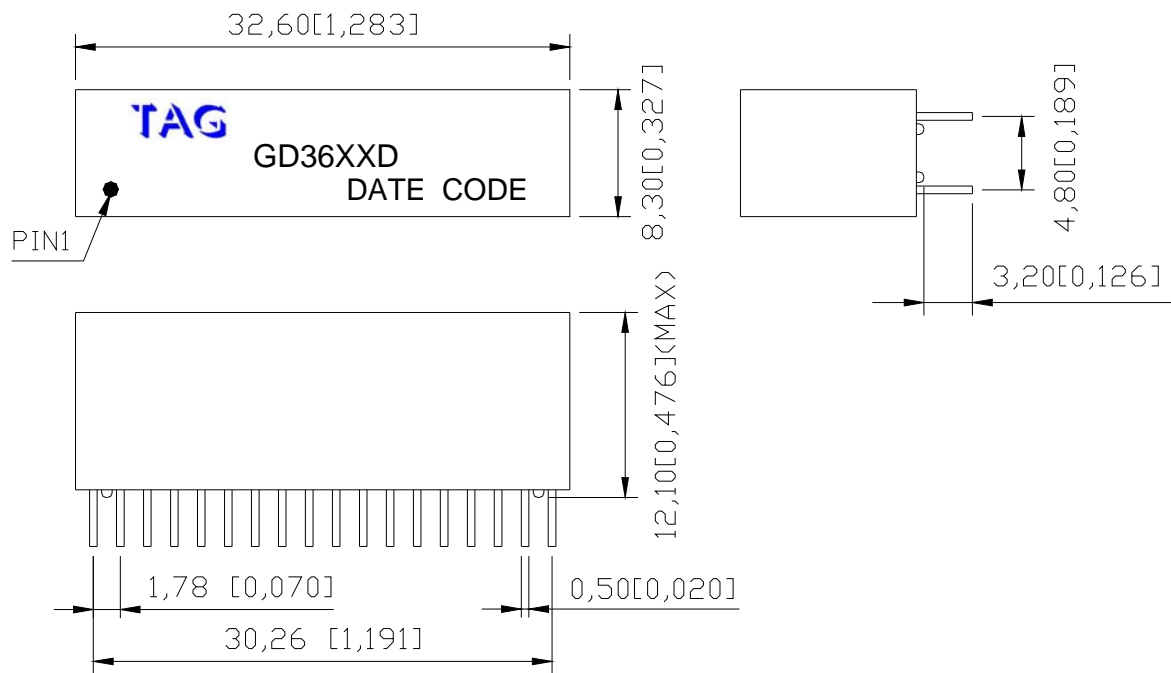
Data subject to change without notice. Please contact Tag for assistance locating product specifications

EKO TECH CO. LTD.

100/1000 BASE-T TRANSFORMER MODULES

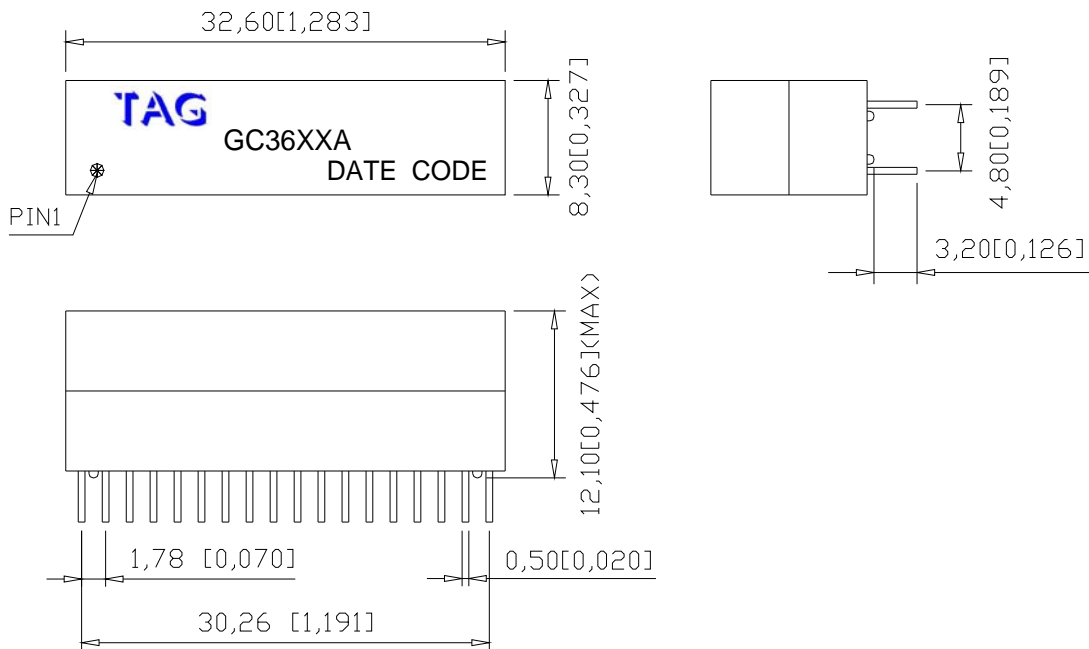
MECHANICAL SPECIFICATIONS

GD36XXD



NOTE. DIMENSIONS:MM(INCHES)/UNLESS OTHERWISE SPECIFIED ALL TOLERANCES ARE $\pm 0.25(0.010)$.

GC36XXA \ GC36XXAI



NOTE. DIMENSIONS:MM(INCHES)/UNLESS OTHERWISE SPECIFIED ALL TOLERANCES ARE $\pm 0.25(0.010)$.

EKO TECH CO. LTD.

HEAD OFFICE :

5F-1, 128, Xinhu 2nd. Rd.,

Neihu Chiu, Taipei, Taiwan 114

TEL : 886- 2- 2791- 9208

FAX : 886- 2- 2791- 9271

Email : sales@eko.com.tw

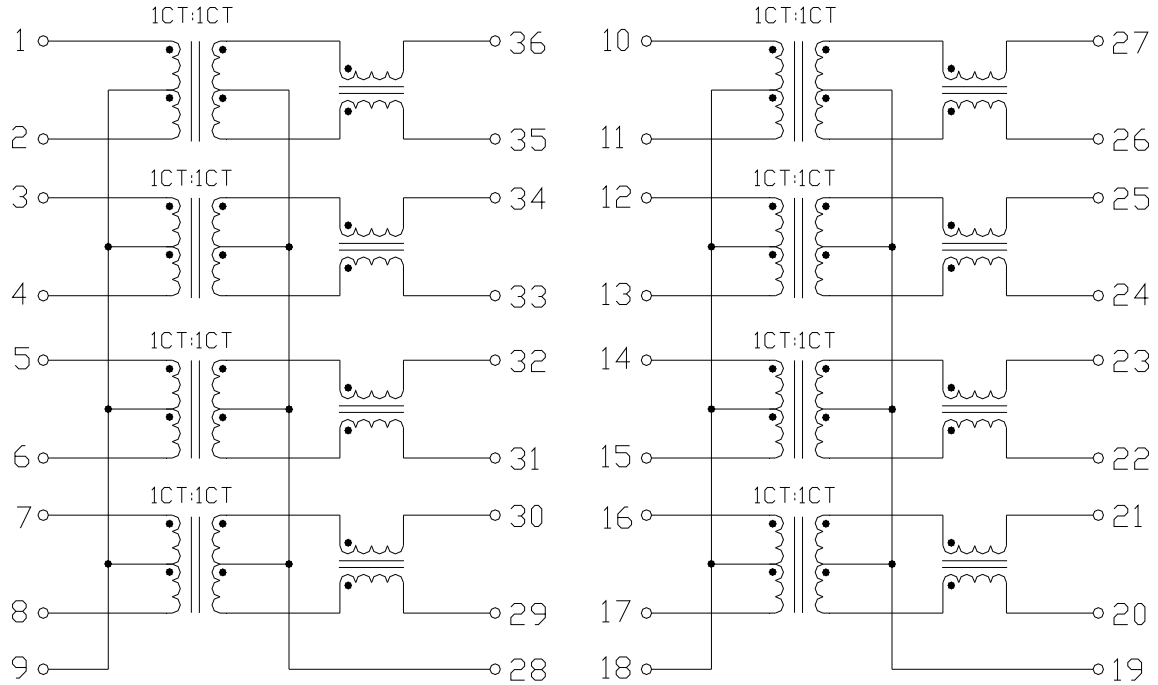
Data subject to change without notice. Please contact Tag for assistance locating product specifications

EKO TECH CO. LTD.

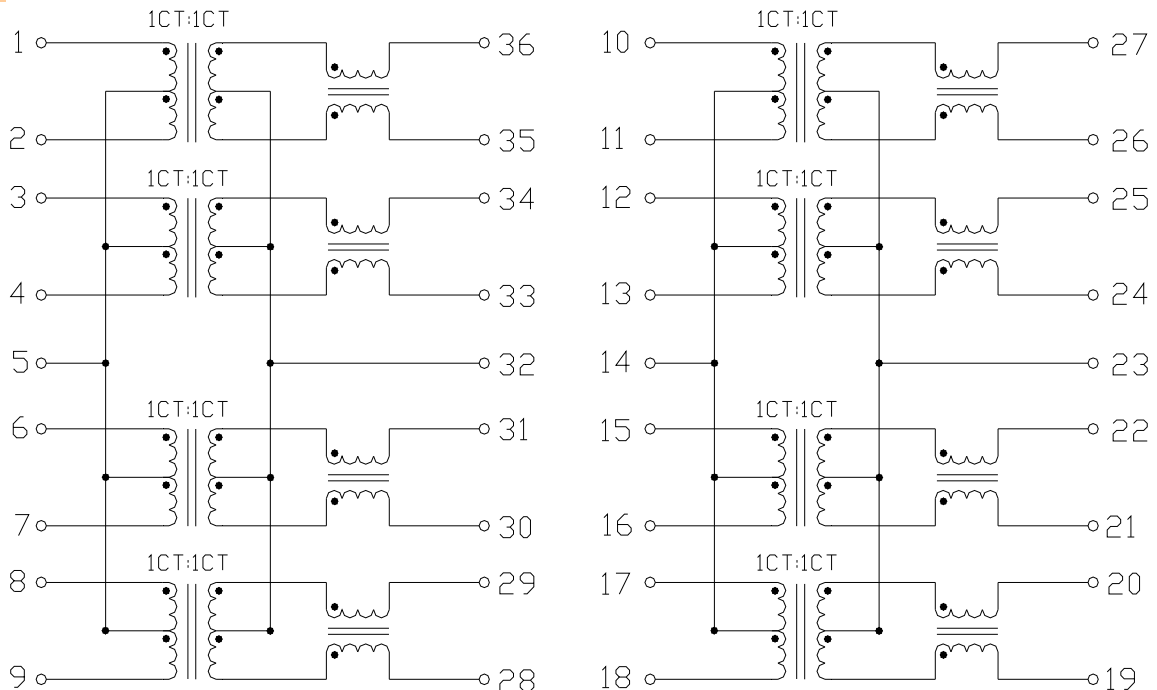
100/1000 BASE-T TRANSFORMER MODULES

SCHEMATICS

GD3601XX\ GC3601XXX



GD3602XXX



EKO TECH CO. LTD.

HEAD OFFICE :

5F-1, 128, Xinhua 2nd. Rd.,

Neihu Chiu, Taipei, Taiwan 114

TEL : 886- 2- 2791- 9208

FAX : 886- 2- 2791- 9271

Email : sales@eko.com.tw

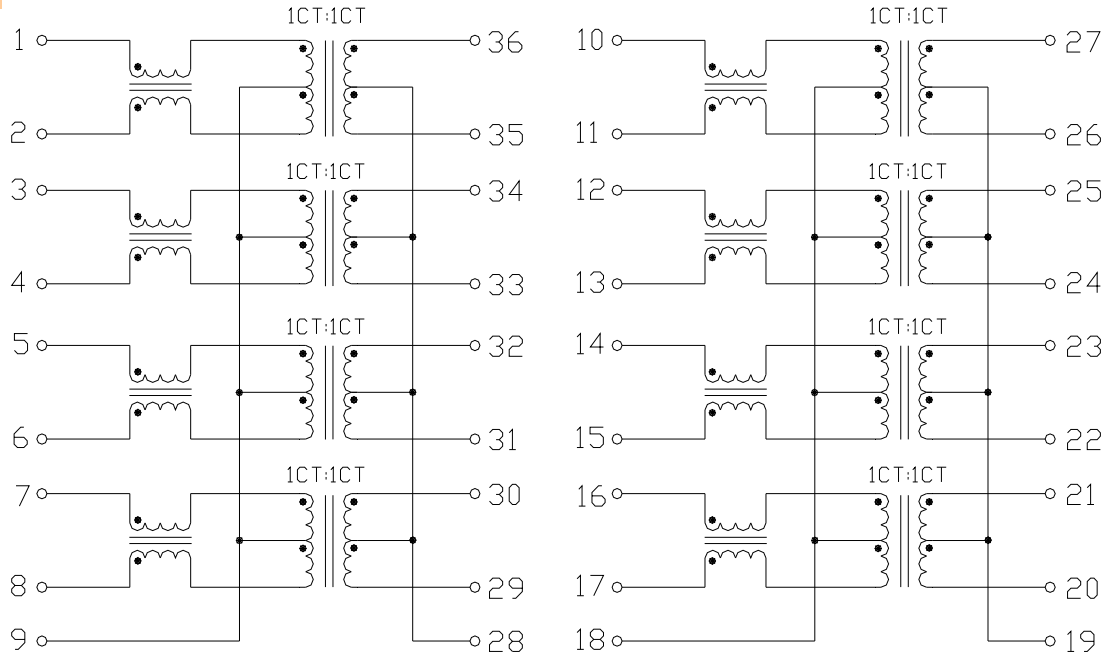
Data subject to change without notice. Please contact Tag for assistance locating product specifications

EKO TECH CO. LTD.

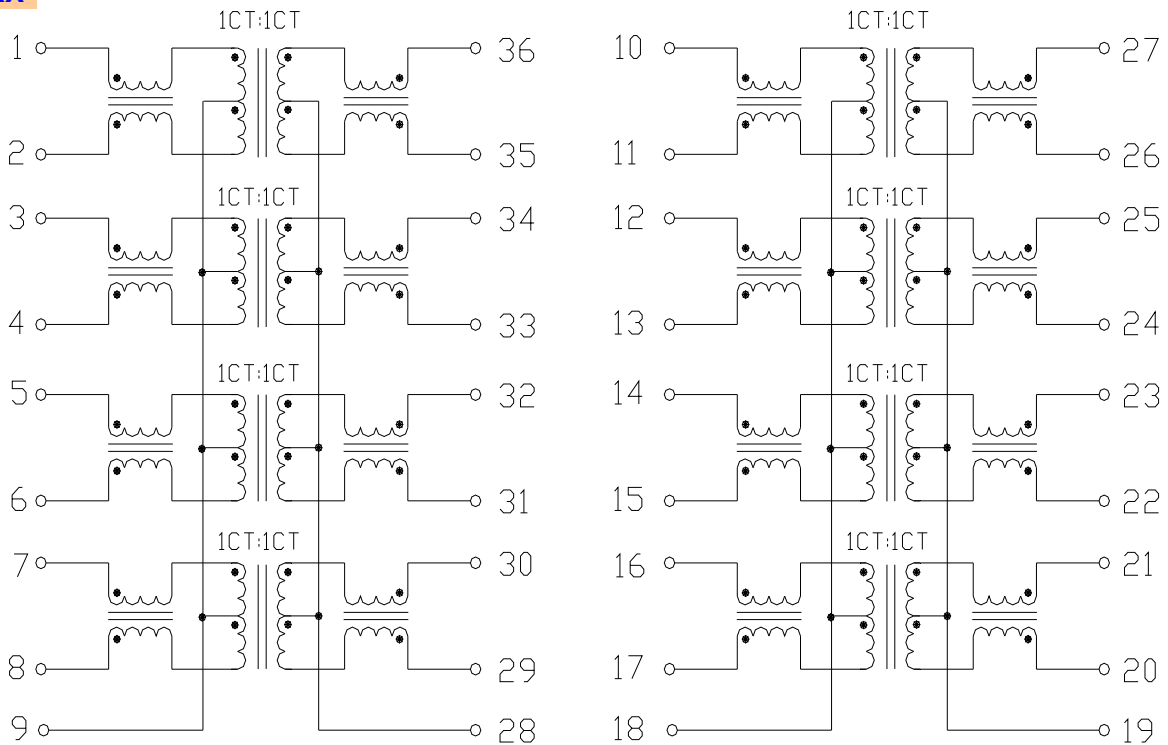
100/1000 BASE-T TRANSFORMER MODULES

SCHEMATICS

GD3603XX



GC3604XXX



EKO TECH CO. LTD.

HEAD OFFICE :

5F-1, 128, Xinhua 2nd. Rd.,

Neihu Chiu, Taipei, Taiwan 114

TEL : 886- 2- 2791- 9208

FAX : 886- 2- 2791- 9271

Email : sales@eko.com.tw

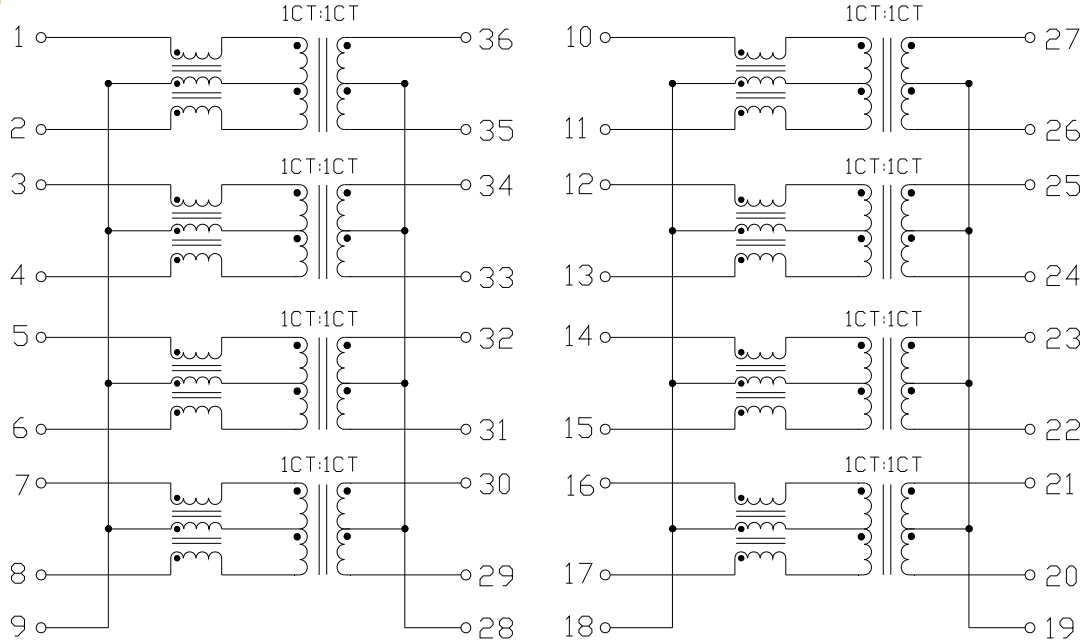
Data subject to change without notice. Please contact Tag for assistance locating product specifications

EKO TECH CO. LTD.

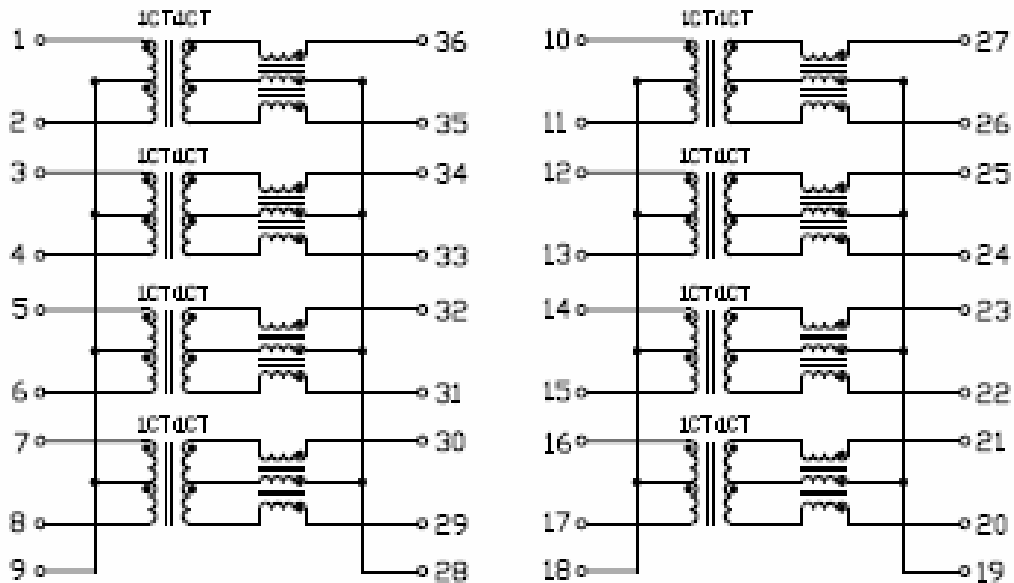
100/1000 BASE-T TRANSFORMER MODULES

SCHEMATICS

GC3605XX



GC3606XX



EKO TECH CO. LTD.

HEAD OFFICE :

5F-1, 128, Xinhu 2nd. Rd.,

Neihu Chiu, Taipei, Taiwan 114

TEL : 886- 2- 2791- 9208

FAX : 886- 2- 2791- 9271

Email : sales@eko.com.tw

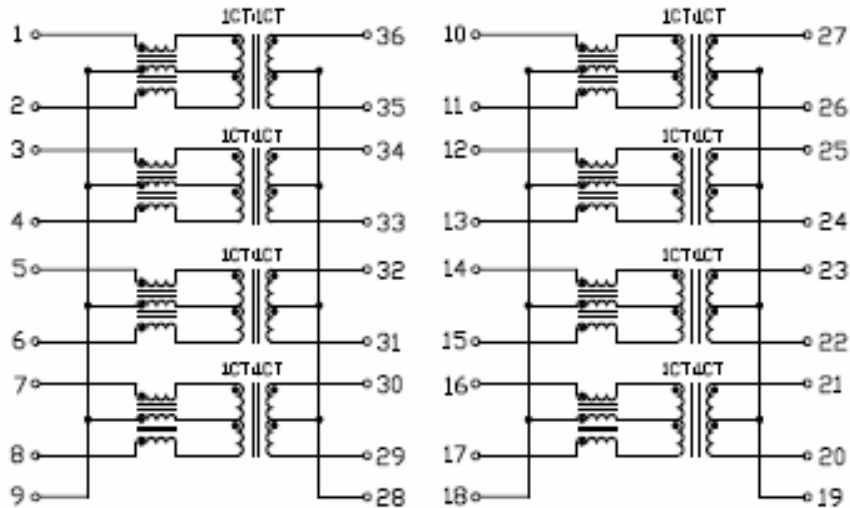
Data subject to change without notice. Please contact Tag for assistance locating product specifications

EKO TECH CO. LTD.

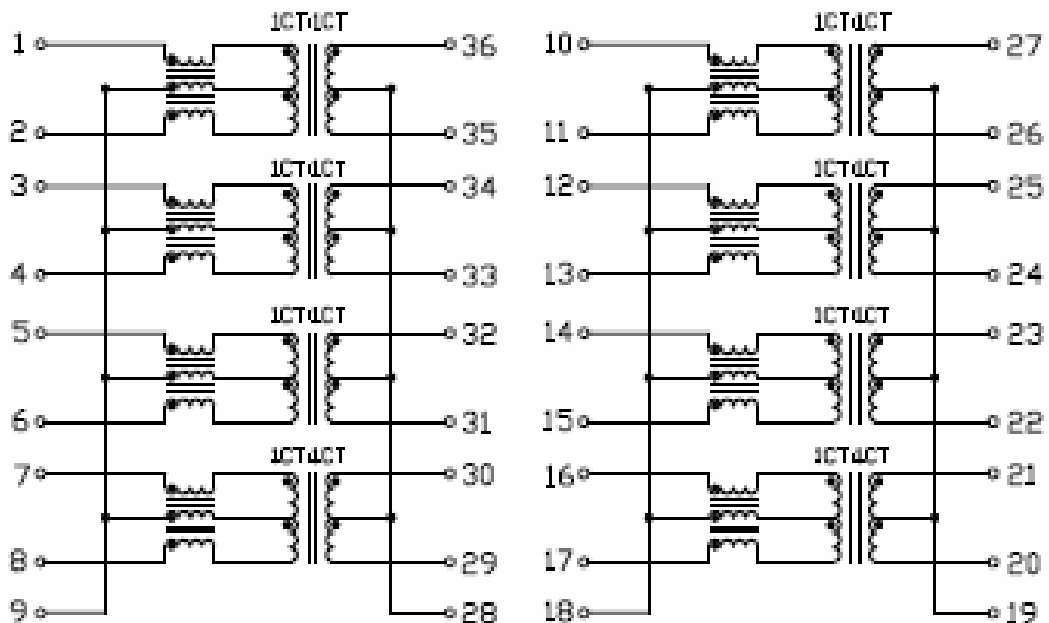
100/1000 BASE-T TRANSFORMER MODULES

SCHEMATICS

GC3607XX



GC3608XX



EKO TECH CO. LTD.

HEAD OFFICE :

5F-1, 128, Xinhua 2nd. Rd.,

Neihu Chiu, Taipei, Taiwan 114

TEL : 886- 2- 2791- 9208

FAX : 886- 2- 2791- 9271

Email : sales@eko.com.tw

Data subject to change without notice. Please contact Tag for assistance locating product specifications

EKO TECH CO. LTD.

100/1000 BASE-T TRANSFORMER MODULES

Designed For Long Haul Gigabit Ethernet 100Base-T, Full Duplex Applications

Supports 16 Pairs Of Category 5UTP Cable.

Cable Interface For Isolation And Low Common Mode Emissions.

Compliant With IEEE802.3ab Standard For 1000 Base-T.

For RoHS Compliance.

ELECTRICAL SPECIFICATIONS @ 25°C - Operating Temperature 0°C to 70°C

Part Number	Insertion Loss (dB max)		Return Loss (dB min)			Crosstalk (dB min)		CMRR (dB min)		
	1-100MHz	1-30MHz	40MHz	50MHz	60-100MHz	1-30MHz	60-100MHz	1-30MHz	60MHz	80-100MHz
GC4801D	-1.0	-18	-18	-15	-10	-40	-30	-40	-35	-30
GC4801DI	-1.0	-18	-18	-15	-10	-40	-30	-40	-35	-30
GC4801DP	-1.0	-18	-18	-15	-10	-40	-30	-40	-35	-30
GC4801DIP	-1.0	-18	-18	-15	-10	-40	-30	-40	-35	-30
GC4801DIU	-1.0	-18	-18	-15	-10	-40	-30	-40	-35	-30
GC4802D	-1.0	-18	-14.4	-14.4	-10	-45	-35	-43	-37	-33
GC4803D	-1.2	-16	-16	-14.1	-10	-35.8	-28	-43	-37	-33
GC4803DP	-1.2	-16	-16	-14.1	-10	-35.8	-28	-43	-37	-33
GB4804EP	-1.1	-18	-12	-12	-10	-40	-32	-40	-35	-32
GC4805D	-1.0	-18	-18	-12	-10	-40	-30	-40	-35	-30
GC4806D	-1.0	-18	-18	-12	-10	-40	-30	-40	-35	-30
GC4807D	-1.0	-18	-18	-12	-10	-40	-30	-40	-35	-30
GC4807DI	-1.0	-18	-18	-12	-10	-40	-30	-40	-35	-30
GC4808DP	-1.0	-18	-18	-12	-10	-40	-30	-40	-35	-30
GC4809DP	-1.0	-18	-18	-12	-10	-40	-30	-40	-35	-30

Note : Isolation Voltage (HiPot) of 1500Vrms

“I” with Extended Temperature(-40°C to +85°C)

“P” With POE(720mA Current Capability)

“U” With POE(1.25A Current Capability)

EKO TECH CO. LTD.

HEAD OFFICE :

5F-1, 128, Xinhu 2nd. Rd.,

Neihu Chiu, Taipei, Taiwan 114

TEL : 886- 2- 2791- 9208

FAX : 886- 2- 2791- 9271

Email : sales@eko.com.tw

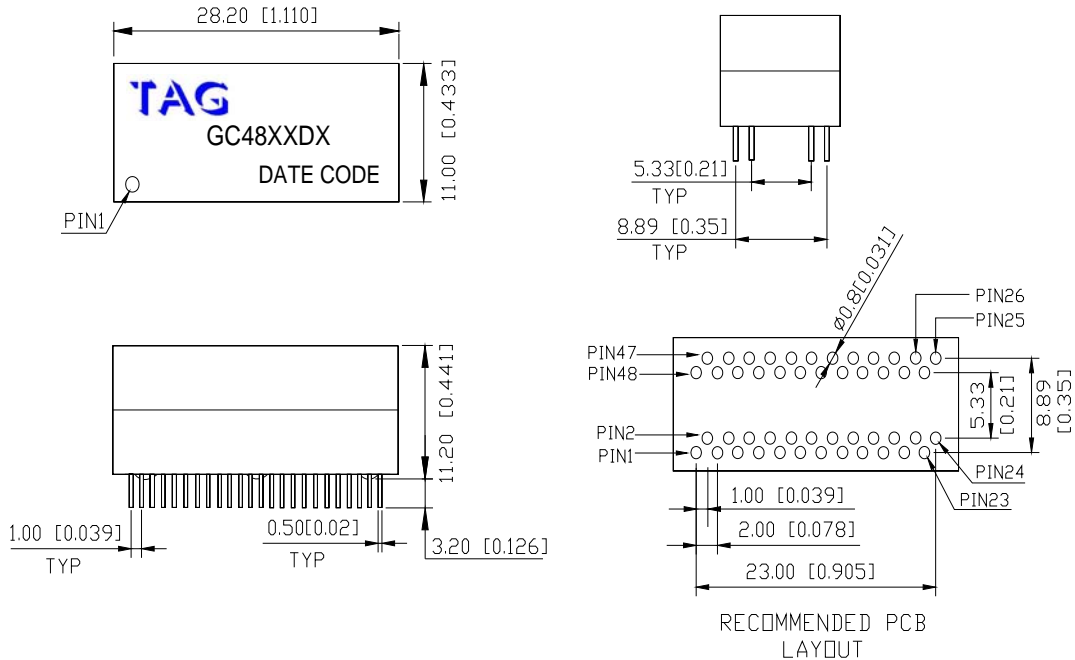
Data subject to change without notice. Please contact Tag for assistance locating product specifications

EKO TECH CO. LTD.

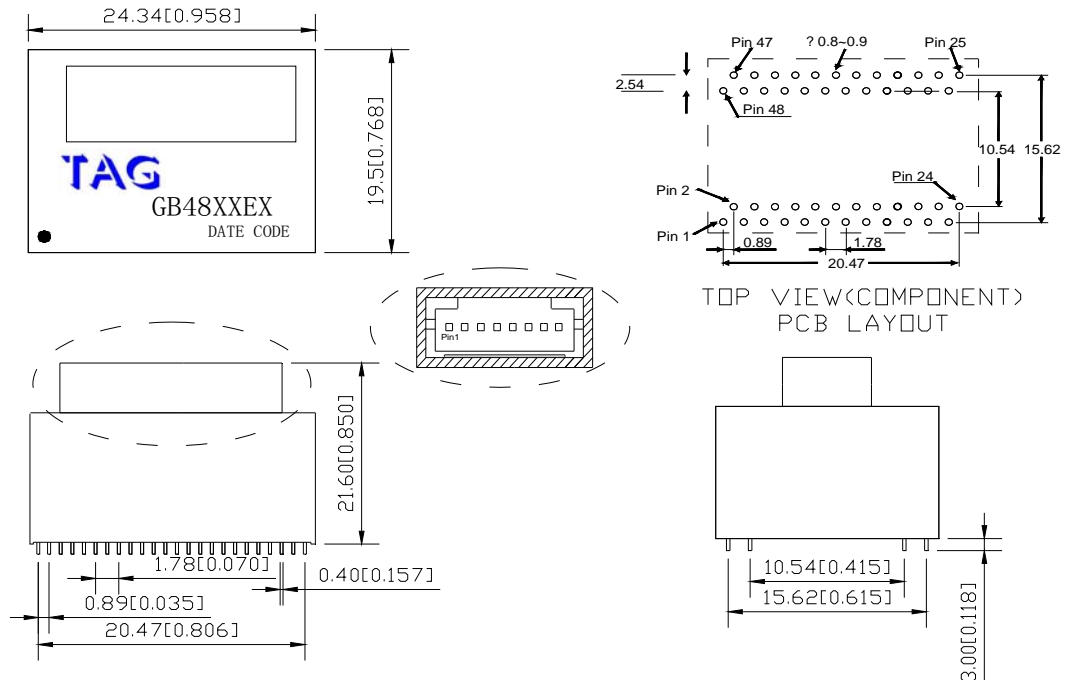
100/1000 BASE-T TRANSFORMER MODULES

MECHANICAL

GC48XXD/GC48XXDX



GB48XXEX



NOTE. DIMENSIONS:MM(INCHES)/UNLESS OTHERWISE SPECIFIED ALL TOLERANCES ARE $\pm 0.25(0.010)$.

EKO TECH CO. LTD.

HEAD OFFICE :

5F-1, 128, Xinhu 2nd. Rd.,

Neihu Chiu, Taipei, Taiwan 114

TEL : 886- 2- 2791- 9208

FAX : 886- 2- 2791- 9271

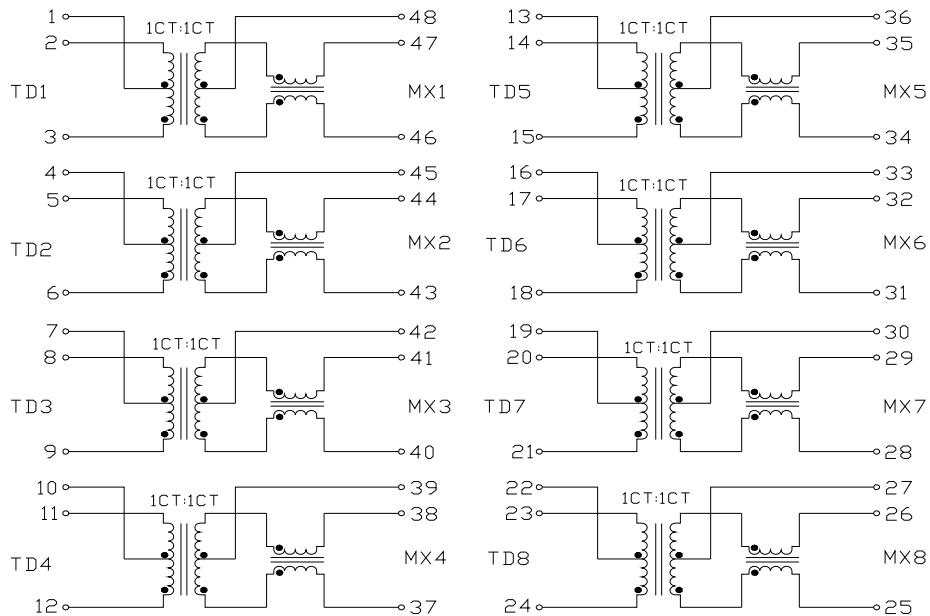
Email : sales@eko.com.tw

EKO TECH CO. LTD.

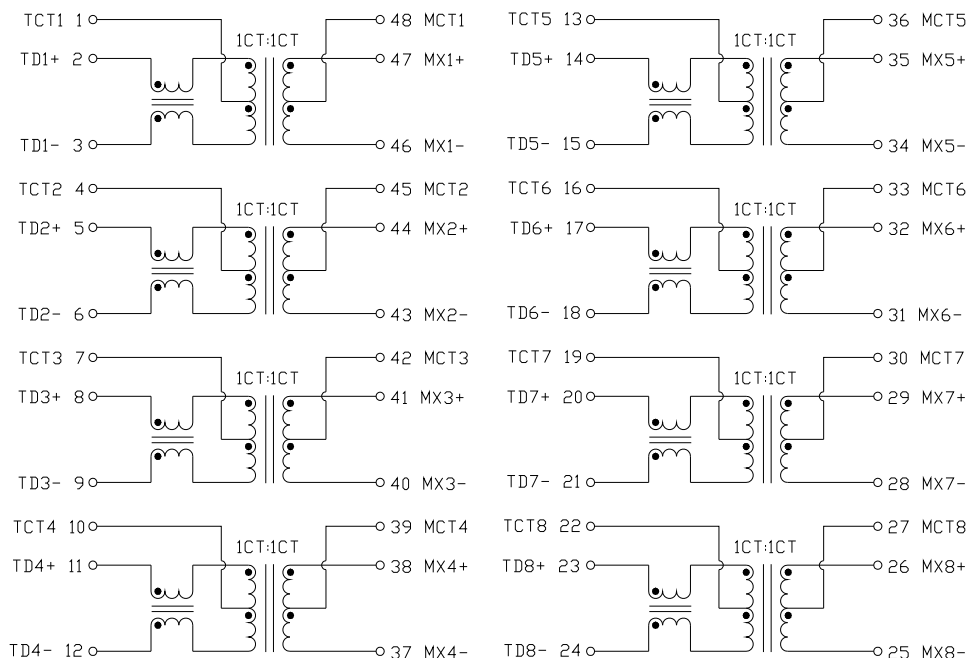
100/1000 BASE-T TRANSFORMER MODULES

SCHEMATICS

GC4801X/GC4801XX



GC4802X/GC4802XX



EKO TECH CO. LTD.

HEAD OFFICE :

5F-1, 128, Xinhua 2nd. Rd.,

Neihu Chiu, Taipei, Taiwan 114

TEL : 886- 2- 2791- 9208

FAX : 886- 2- 2791- 9271

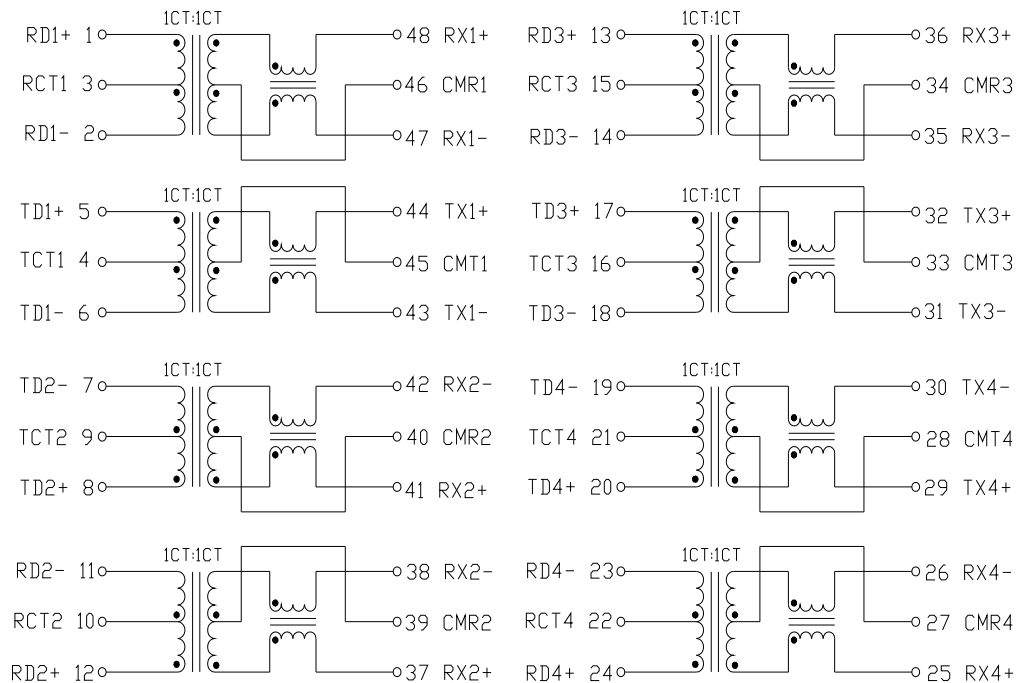
Email : sales@eko.com.tw

EKO TECH CO. LTD.

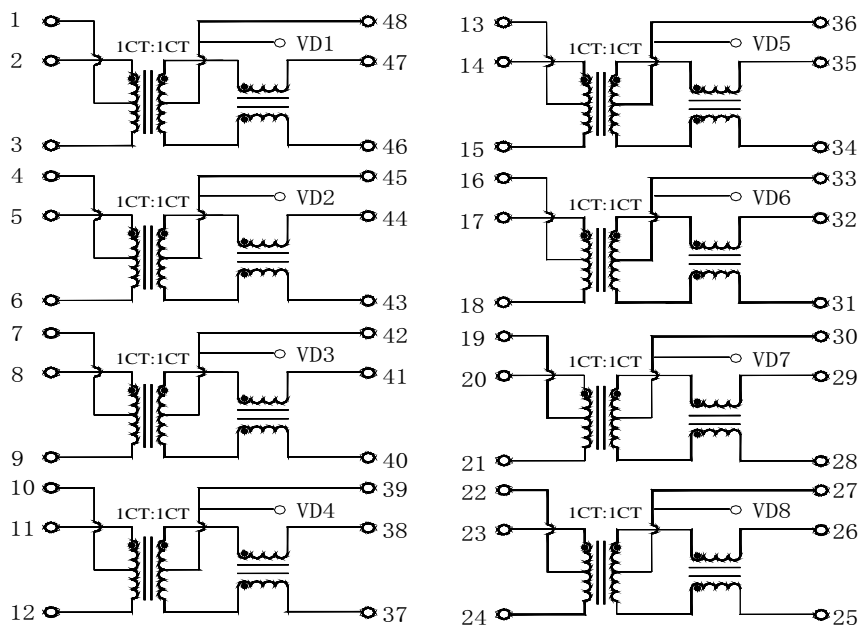
100/1000 BASE-T TRANSFORMER MODULES

SCHEMATICS

GC4803X/GC4803XX



GB4804X\GB4804XX



EKO TECH CO. LTD.

HEAD OFFICE :

5F-1, 128, Xinhu 2nd. Rd.,

Neihu Chiu, Taipei, Taiwan 114

TEL : 886- 2- 2791- 9208

FAX : 886- 2- 2791- 9271

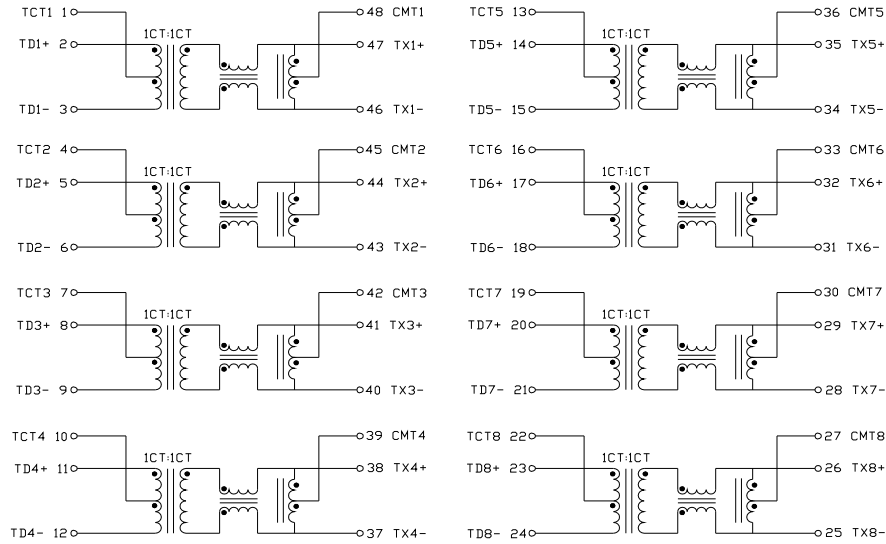
Email : sales@eko.com.tw

EKO TECH CO. LTD.

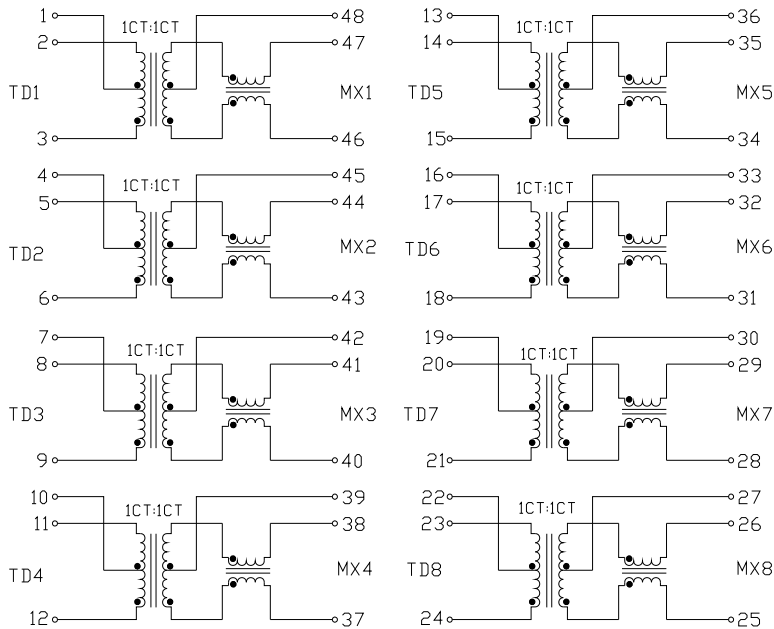
100/1000 BASE-T TRANSFORMER MODULES

SCHEMATICS

GC4805X/GC4805XX



GC4806XX



EKO TECH CO. LTD.

HEAD OFFICE :

5F-1, 128, Xinhua 2nd. Rd.,

Neihu Chiu, Taipei, Taiwan 114

TEL : 886- 2- 2791- 9208

FAX : 886- 2- 2791- 9271

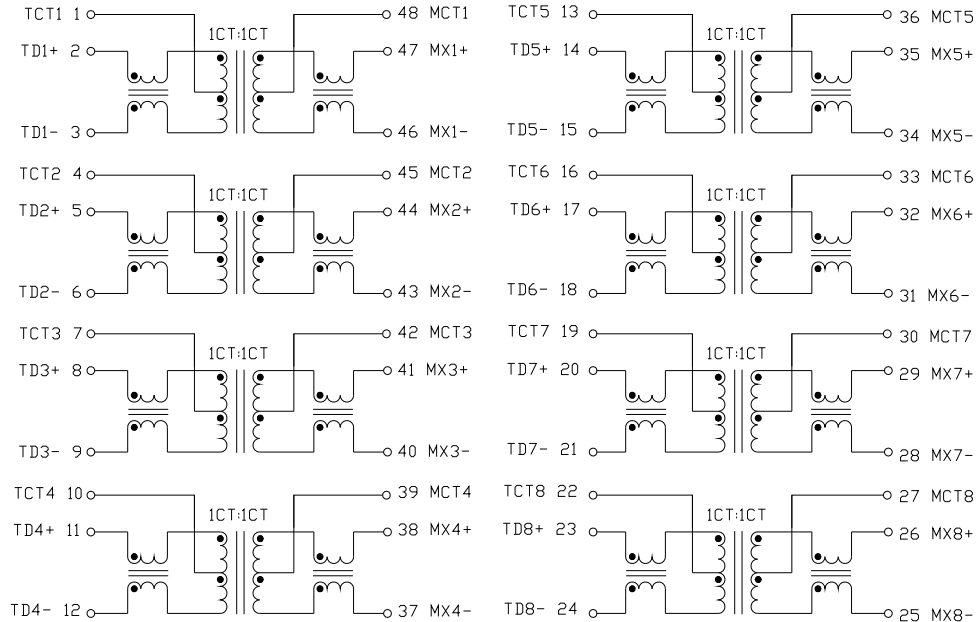
Email : sales@eko.com.tw

EKO TECH CO. LTD.

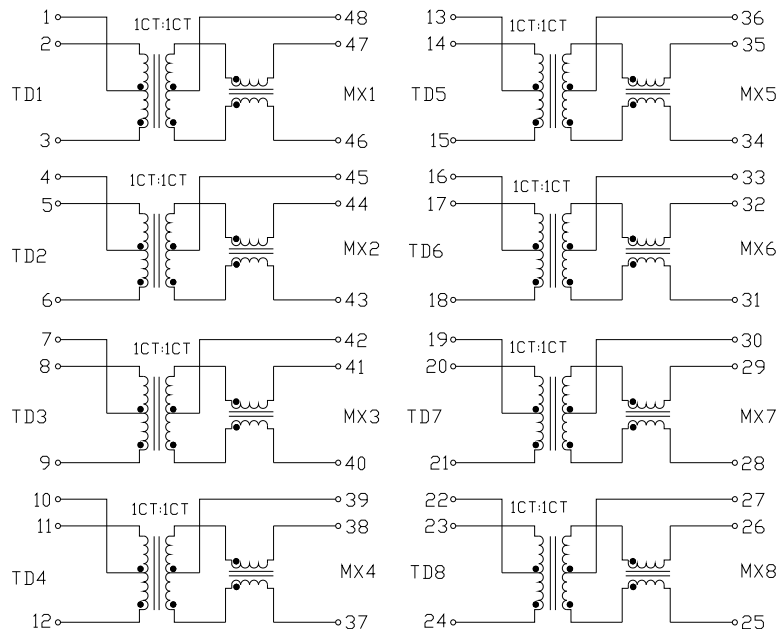
100/1000 BASE-T TRANSFORMER MODULES

SCHEMATICS

GC4807XX



GC4808XX



EKO TECH CO. LTD.

HEAD OFFICE :

5F-1, 128, Xinhu 2nd. Rd.,

Neihu Chiu, Taipei, Taiwan 114

TEL : 886- 2- 2791- 9208

FAX : 886- 2- 2791- 9271

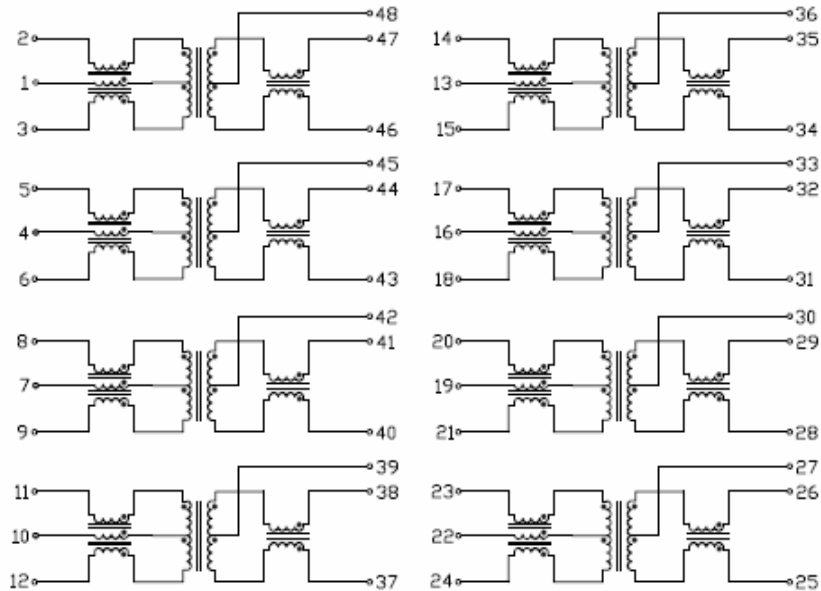
Email : sales@eko.com.tw

EKO TECH CO. LTD.

100/1000 BASE-T TRANSFORMER MODULES

SCHEMATICS

GC4809XX



EKO TECH CO. LTD.

HEAD OFFICE :

5F-1, 128, Xinhu 2nd. Rd.,

Neihu Chiu, Taipei, Taiwan 114

TEL : 886- 2- 2791- 9208

FAX : 886- 2- 2791- 9271

Email : sales@eko.com.tw

EKO TECH CO. LTD.

100/1000 BASE-T TRANSFORMER MODULES

Designed For Ethernet 1000 Base-T, Full Quad Port Applications.

Cable Interface For Isolation And Low Common Mode Emissions.

Compliant With IEEE802.3ab Standard For 1000 Base-T.

For RoHS Compliance.

ELECTRICAL SPECIFICATIONS @ 25°C - Operating Temperature 0°C to 70°C

Part Number	Insertion Loss (dB max)		Return Loss (dB min)				Crosstalk (dB min)			CMRR (dB min)		
	1-100MHz	1-30MHz	40MHz	50MHz	60-80MHz	100MHz	30MHz	60MHz	100MHz	30MHz	60MHz	100MHz
GD7201D	-1.0	-18	-14.4	-13.1	-12	-10	-40	-35	-30	-40	-35	-30
GB7201B	-1.0	-18	-14.4	-13.1	-12	-10	-40	-35	-30	-40	-35	-30
GC7201CP	-1.0	-18	-14.4	-13.1	-12	-10	-40	-35	-30	-40	-35	-30
GC7201C	-1.0	-18	-14.4	-13.1	-12	-10	-40	-35	-30	-40	-35	-30
GC7201D	-1.0	-18	-14.4	-13.1	-12	-10	-40	-35	-30	-40	-35	-30
GB7202A	-1.0	-18	-14.4	-13.1	-12	-10	-40	-35	-30	-40	-35	-30
GB7202B	-1.0	-18	-14.4	-13.1	-12	-10	-40	-35	-30	-40	-35	-30
GB7202BP	-1.0	-18	-14.4	-13.1	-12	-10	-40	-35	-30	-40	-35	-30
GC7202C	-1.0	-16	-14.1	-12.5	-10	\	-40	-35	-30	-40	-35	-30
GC7203B	-1.0	-16	-16	-14.1	-12.5	-10	-40	-35	-30	-40	-35	-30
GC7203C	-1.0	-16	-16	-14.1	-12.5	-10	-40	-35	-30	-40	-35	-30
GB7203B	-1.0	-18	-14.4	-13.1	-12	-10	-40	-35	-30	-40	-35	-30
GC7204C	-1.0	-16	-14.1	-12.5	-10	\	-40	-35	-30	-40	-35	-30
GB7204B	-1.0	-18	-14.4	-13.1	-12	-10	-40	-35	-30	-40	-35	-30
GC7205C	-1.0	-16	-14.1	-12.5	-10	\	-40	-35	-30	-40	-35	-30
GB7206B	-1.0	-18	-14.4	-13.1	-12	-10	-40	-35	-30	-40	-35	-30
GC7207C	-1.0	-16	-16	-14.1	-12.5	-10	-40	-35	-30	-40	-35	-30
GC7208C	-1.0	-16	-16	-14.1	-12.5	-10	-40	-35	-30	-40	-35	-30
GC7209C	-1.0	-16	-16	-14.1	-12.5	-10	-40	-35	-30	-40	-35	-30
GC7210C	-1.0	-16	-16	-14.1	-12.5	-10	-40	-35	-30	-40	-35	-30
GC7211C	-1.0	-16	-16	-14.1	-12.5	-10	-40	-35	-30	-40	-35	-30

Note : Isolation Voltage (HiPot) of 1500Vrms

EKO TECH CO. LTD.

HEAD OFFICE :

5F-1, 128, Xinhua 2nd. Rd.,

Neihu Chiu, Taipei, Taiwan 114

TEL : 886- 2- 2791- 9208

FAX : 886- 2- 2791- 9271

Email : sales@eko.com.tw

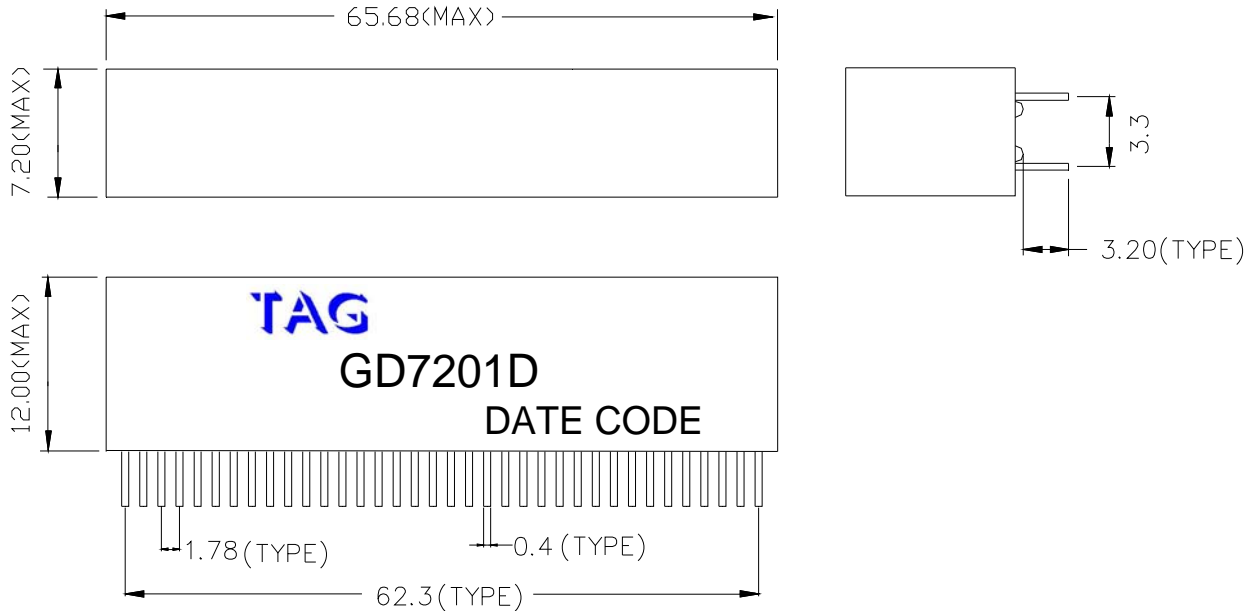
Data subject to change without notice. Please contact Tag for assistance locating product specifications

EKO TECH CO. LTD.

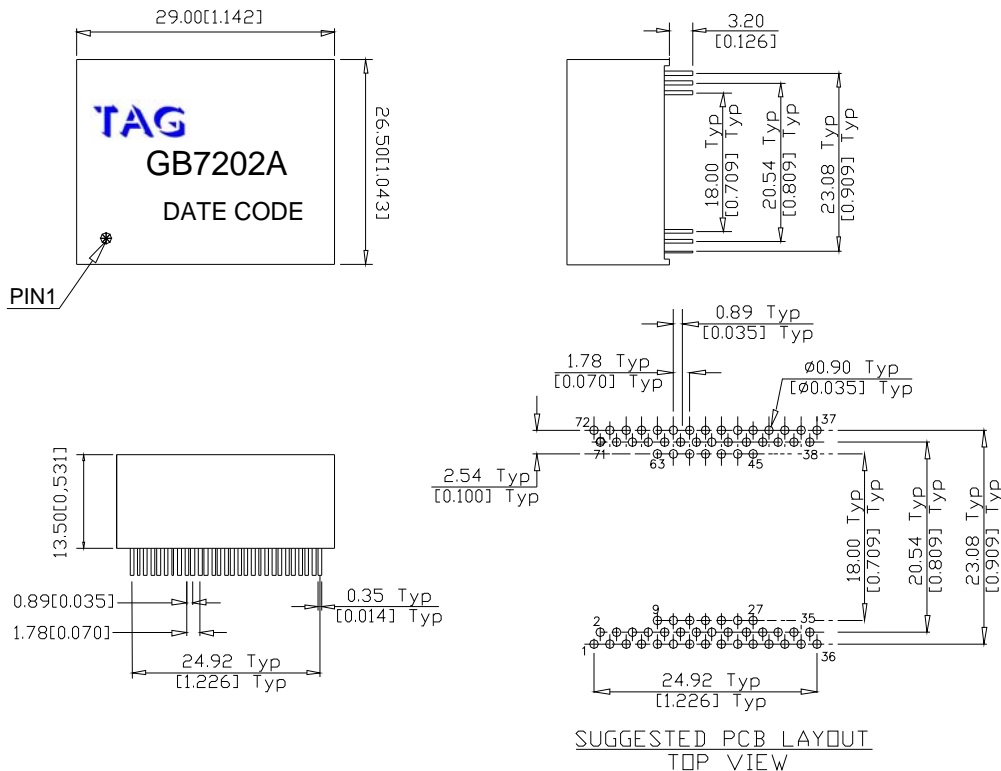
100/1000 BASE-T TRANSFORMER MODULES

MECHANICAL SPECIFICATIONS

GD7201D



GB7202A



NOTE. DIMENSIONS:MM(INCHES)/UNLESS OTHERWISE SPECIFIED ALL TOLERANCES ARE $\pm 0.25(0.010)$.

EKO TECH CO. LTD.

HEAD OFFICE :

5F-1, 128, Xinhu 2nd. Rd.,

Neihu Chiu, Taipei, Taiwan 114

TEL : 886- 2- 2791- 9208

FAX : 886- 2- 2791- 9271

Email : sales@eko.com.tw

E-mail : partson@eko.com.tw

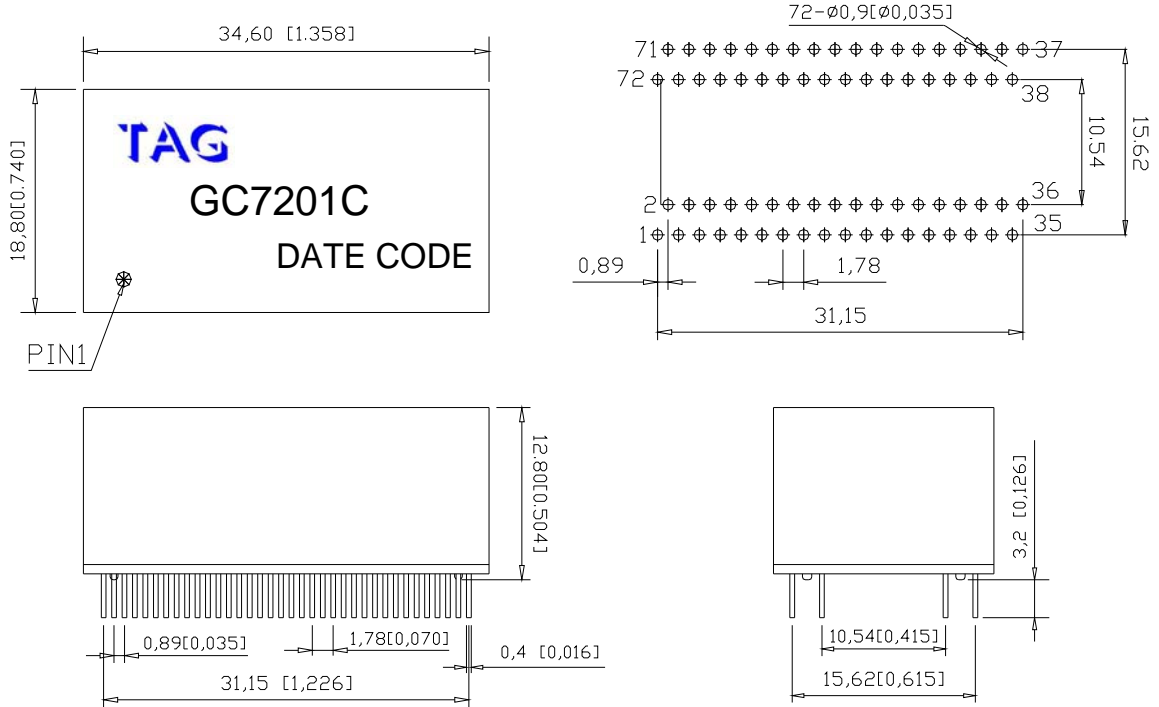
TEL : 886- 2- 2791- 9208
FAX : 886- 2- 2791- 9271

EKO TECH CO. LTD.

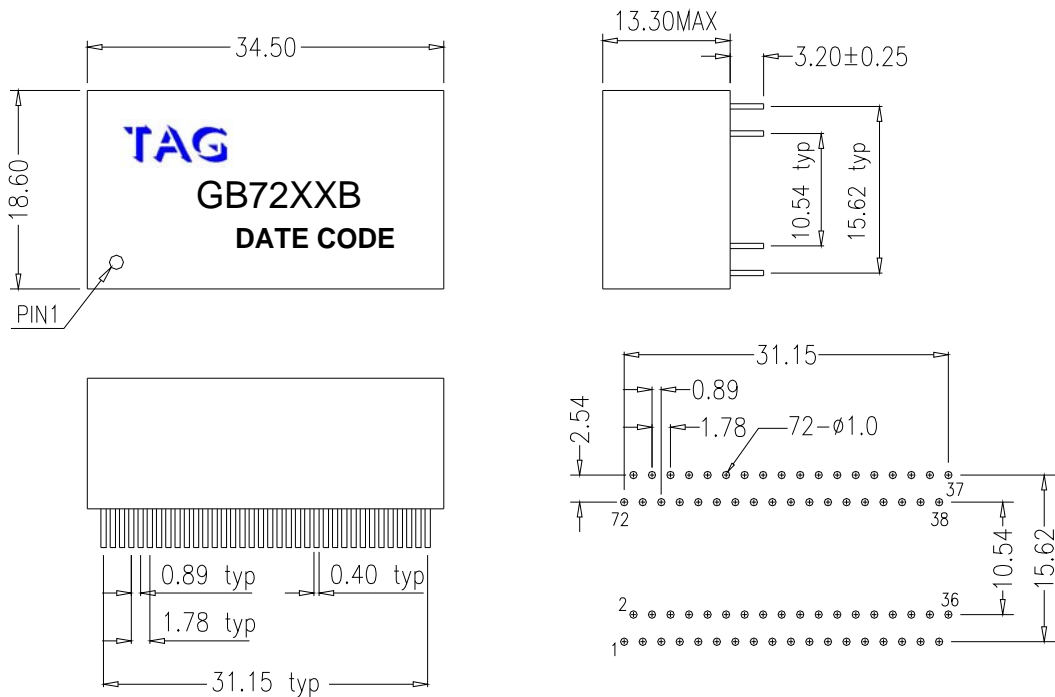
100/1000 BASE-T TRANSFORMER MODULES

MECHANICAL SPECIFICATIONS

GC72XXC



GB72XXB



NOTE. DIMENSIONS:MM(INCHES)/UNLESS OTHERWISE SPECIFIED ALL TOLERANCES ARE \pm 0.25(0.010).

EKO TECH CO. LTD.

HEAD OFFICE :

5F-1, 128, Xinhu 2nd. Rd.,

Neihu Chiu, Taipei, Taiwan 114

TEL : 886- 2- 2791- 9208

FAX : 886- 2- 2791- 9271

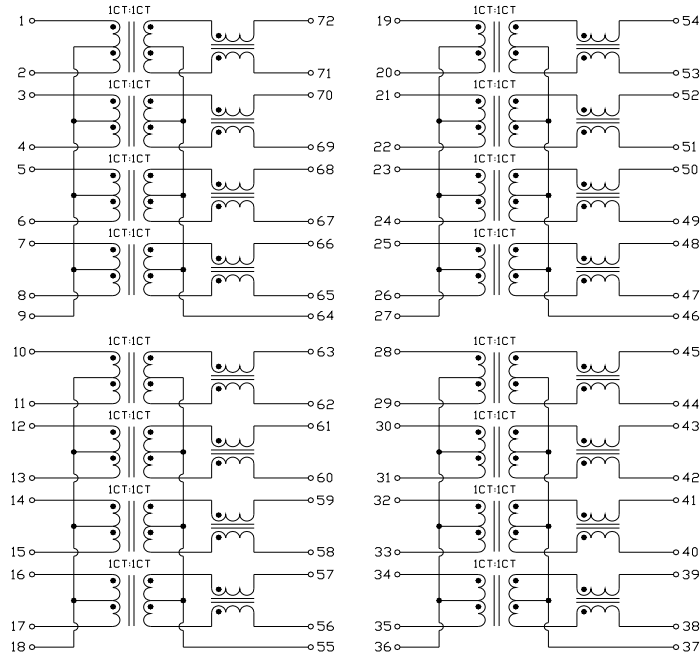
Email : sales@eko.com.tw

EKO TECH CO. LTD.

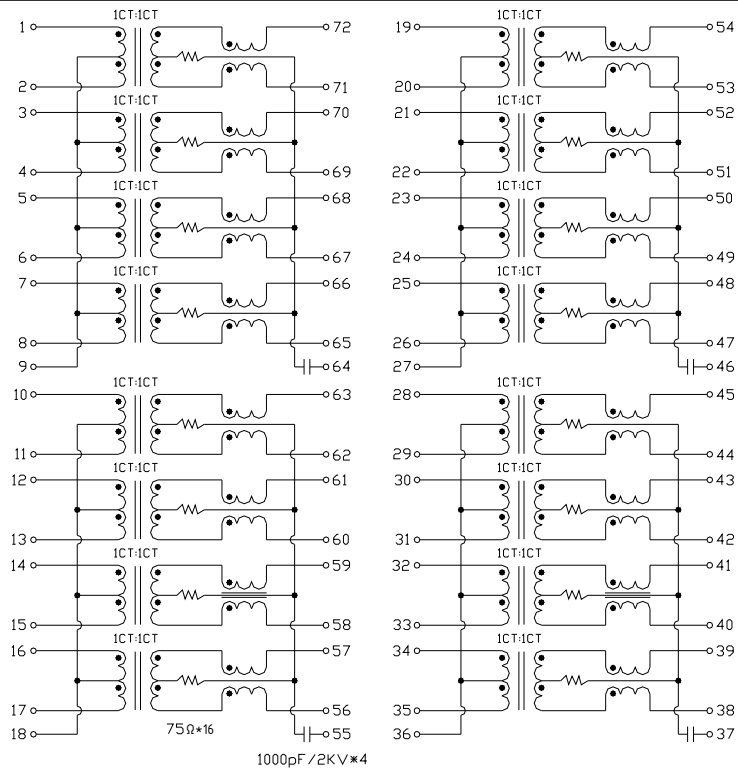
100/1000 BASE-T TRANSFORMER MODULES

SCHEMATICS

GD7201D\GB7201B\GC7201C



GB7202A\GB7202B\GC7202C



EKO TECH CO. LTD.

HEAD OFFICE :

5F-1, 128, Xinhu 2nd. Rd.,

Neihu Chiu, Taipei, Taiwan 114

TEL : 886- 2- 2791- 9208

FAX : 886- 2- 2791- 9271

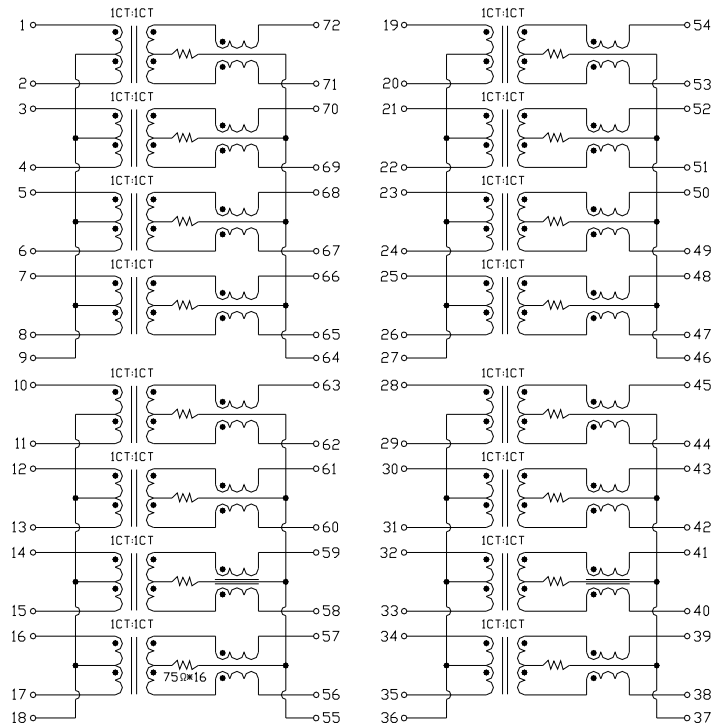
Email : sales@eko.com.tw

EKO TECH CO. LTD.

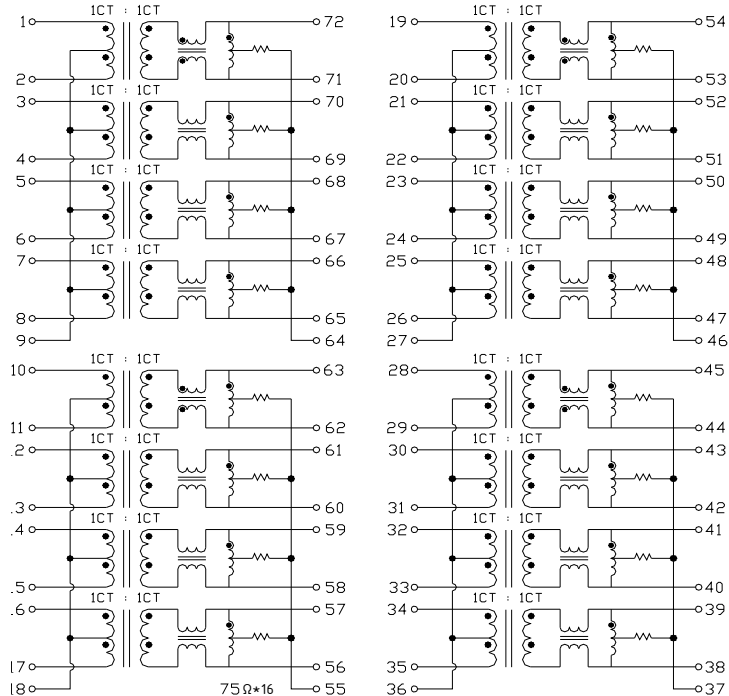
100/1000 BASE-T TRANSFORMER MODULES

SCHEMATICS

GB7203B\GC7203C



GB7204B\GC7204C



EKO TECH CO. LTD.

HEAD OFFICE :

5F-1, 128, Xinhu 2nd. Rd.,

Neihu Chiu, Taipei, Taiwan 114

TEL : 886- 2- 2791- 9208

FAX : 886- 2- 2791- 9271

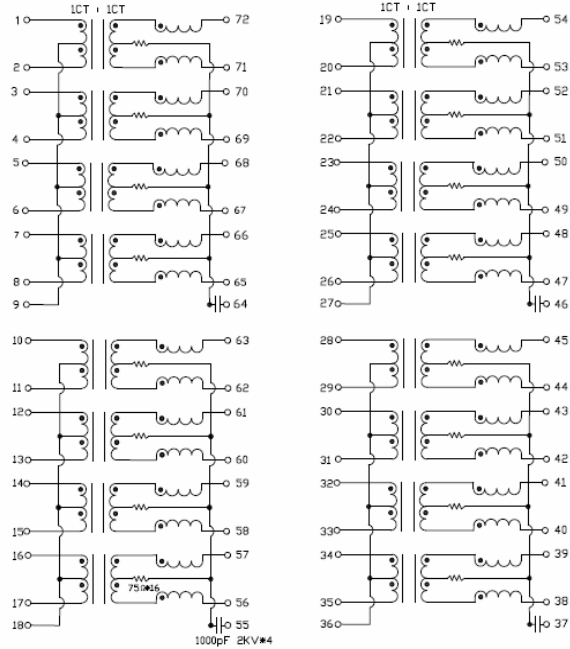
Email : sales@eko.com.tw

EKO TECH CO. LTD.

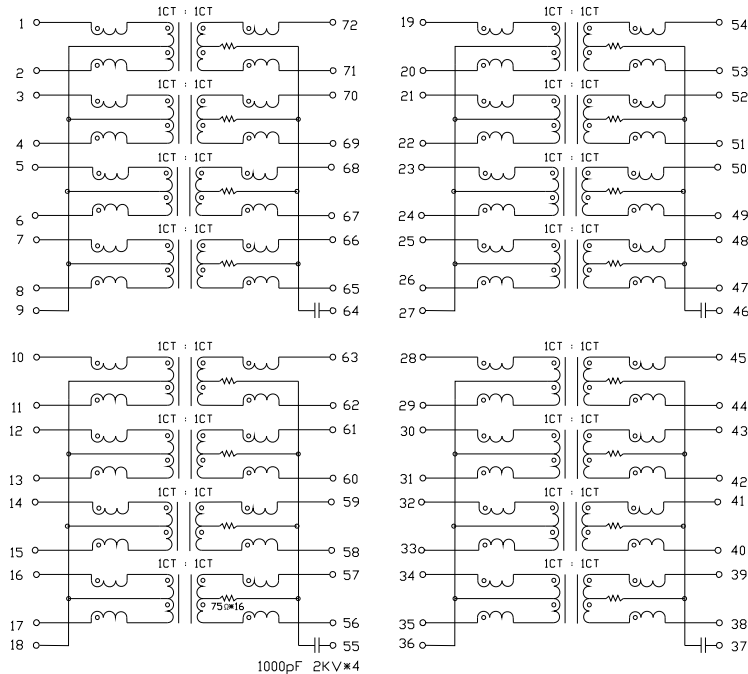
100/1000 BASE-T TRANSFORMER MODULES

SCHEMATICS

GC7205X



GB7206X



EKO TECH CO. LTD.

HEAD OFFICE :

5F-1, 128, Xinhu 2nd. Rd.,

Neihu Chiu, Taipei, Taiwan 114

TEL : 886- 2- 2791- 9208

FAX : 886- 2- 2791- 9271

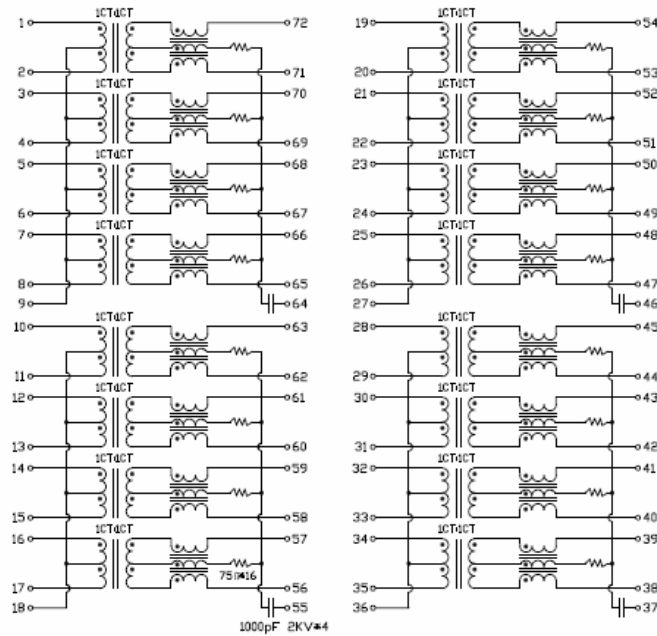
Email : sales@eko.com.tw

EKO TECH CO. LTD.

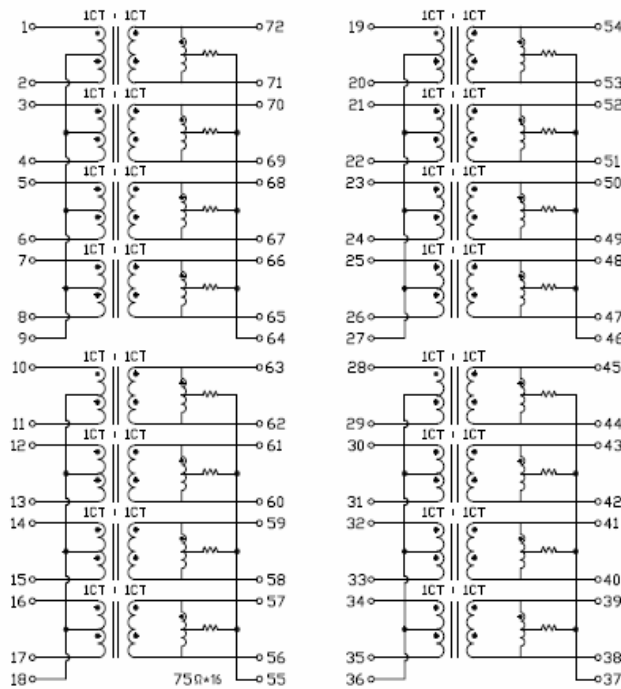
100/1000 BASE-T TRANSFORMER MODULES

SCHEMATICS

GC7207X



GB7208X



EKO TECH CO. LTD.

HEAD OFFICE :

5F-1, 128, Xinhua 2nd. Rd.,

Neihu Chiu, Taipei, Taiwan 114

TEL : 886- 2- 2791- 9208

FAX : 886- 2- 2791- 9271

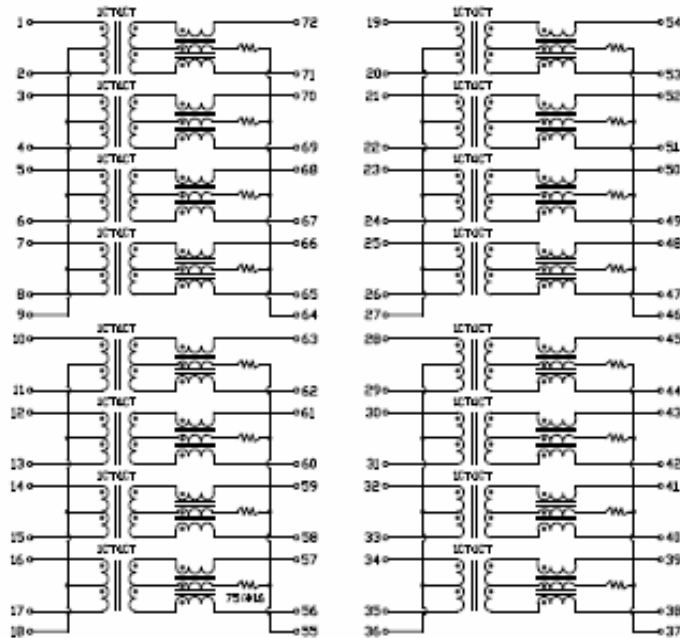
Email : sales@eko.com.tw

EKO TECH CO. LTD.

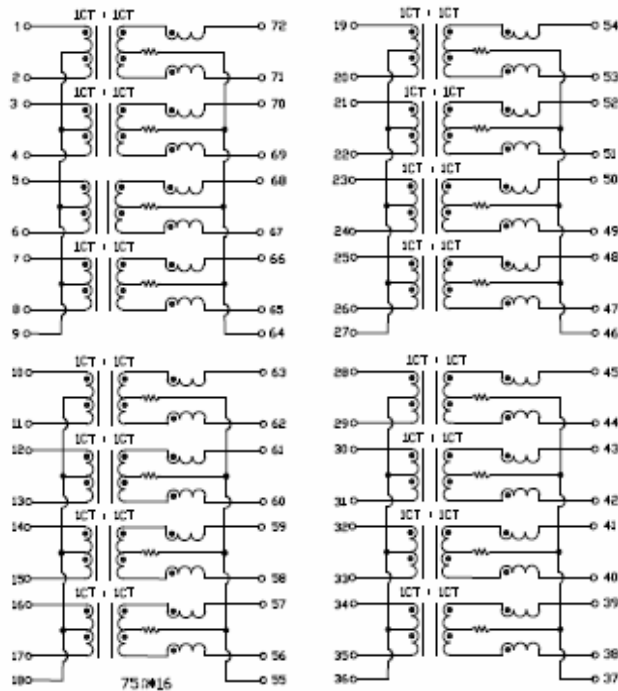
100/1000 BASE-T TRANSFORMER MODULES

SCHEMATICS

GC7209X



GB7210X



EKO TECH CO. LTD.

HEAD OFFICE :

5F-1, 128, Xinhu 2nd. Rd.,

Neihu Chiu, Taipei, Taiwan 114

TEL : 886- 2- 2791- 9208

FAX : 886- 2- 2791- 9271

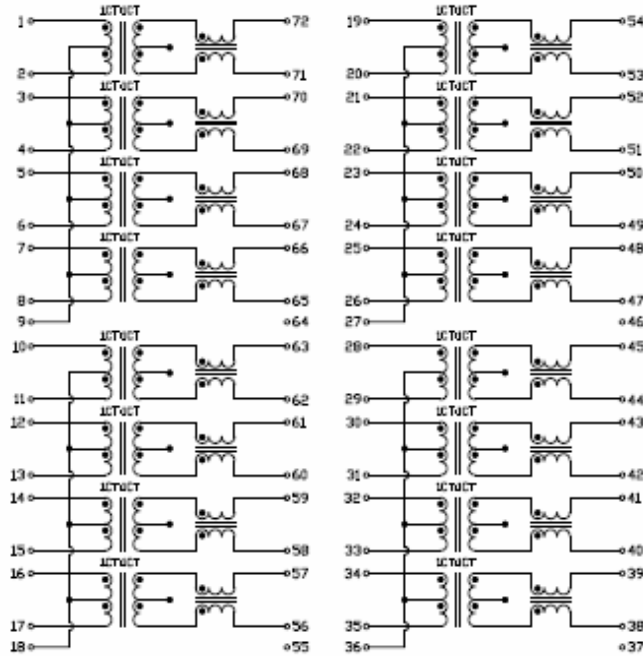
Email : sales@eko.com.tw

EKO TECH CO. LTD.

100/1000 BASE-T TRANSFORMER MODULES

SCHEMATICS

GC7211X



EKO TECH CO. LTD.

HEAD OFFICE :

5F-1, 128, Xinhu 2nd. Rd.,

Neihu Chiu, Taipei, Taiwan 114

TEL : 886- 2- 2791- 9208

FAX : 886- 2- 2791- 9271

Email : sales@eko.com.tw

EKO TECH CO. LTD.

100/1000 BASE-T TRANSFORMER MODULES

Designed For Long Haul Gigabit Ethernet 100Base-T, Full Duplex Applications

Supports 16 Pairs Of Category 5 UTP Cable.

Cable Interface For Isolation And Low Common Mode Emissions.

Compliant With IEEE802.3ab Standard For 1000 Base-T.

For RoHS Compliance.

ELECTRICAL SPECIFICATIONS @ 25°C - Operating Temperature 0°C to 70°C

Part Number	Insertion Loss (dB max)		Return Loss (dB min)				Crosstalk (dB min)			DCMR (dB min)		
	1-100MHz	1-30MHz	40MHz	50MHz	60-80MHz	100MHz	30MHz	60MHz	100MHz	30MHz	60MHz	100MHz
GB8801B	-1.1	-18	-14.4	-13.1	-12	-10	-40	-35	-30	-43	-37	-33
GB8801BP	-1.1	-18	-14.4	-13.1	-12	-10	-40	-35	-30	-43	-37	-33
GB8802A	-1.1	-18	-14.4	-13.1	-12	-10	-40	-35	-30	-40	-35	-30
GB8802D	-1.1	-16	-12	-12	-12	-10	-40	-35	-30	-40	-35	-30
GB8803C	-1.1	-18	-12	-12	-12	-10	-40	-35	-30	-40	-35	-30
GB8804BP	-1.1	-18	-14.4	-13.1	-12	-10	-40	-35	-30	-43	-37	-33
GB8805B	-1.1	-18	-14.4	-13.1	-12	-10	-40	-35	-30	-43	-37	-33
GB8806BP	-1.1	-18	-14.4	-13.1	-12	-10	-40	-35	-30	-43	-37	-33

Note : Isolation Voltage (HiPot) of 1500Vrms

“P” With POE(720mA Current Capability)

EKO TECH CO. LTD.

HEAD OFFICE :

5F-1, 128, Xinhu 2nd. Rd.,

Neihu Chiu, Taipei, Taiwan 114

TEL : 886- 2- 2791- 9208

FAX : 886- 2- 2791- 9271

Email : sales@eko.com.tw

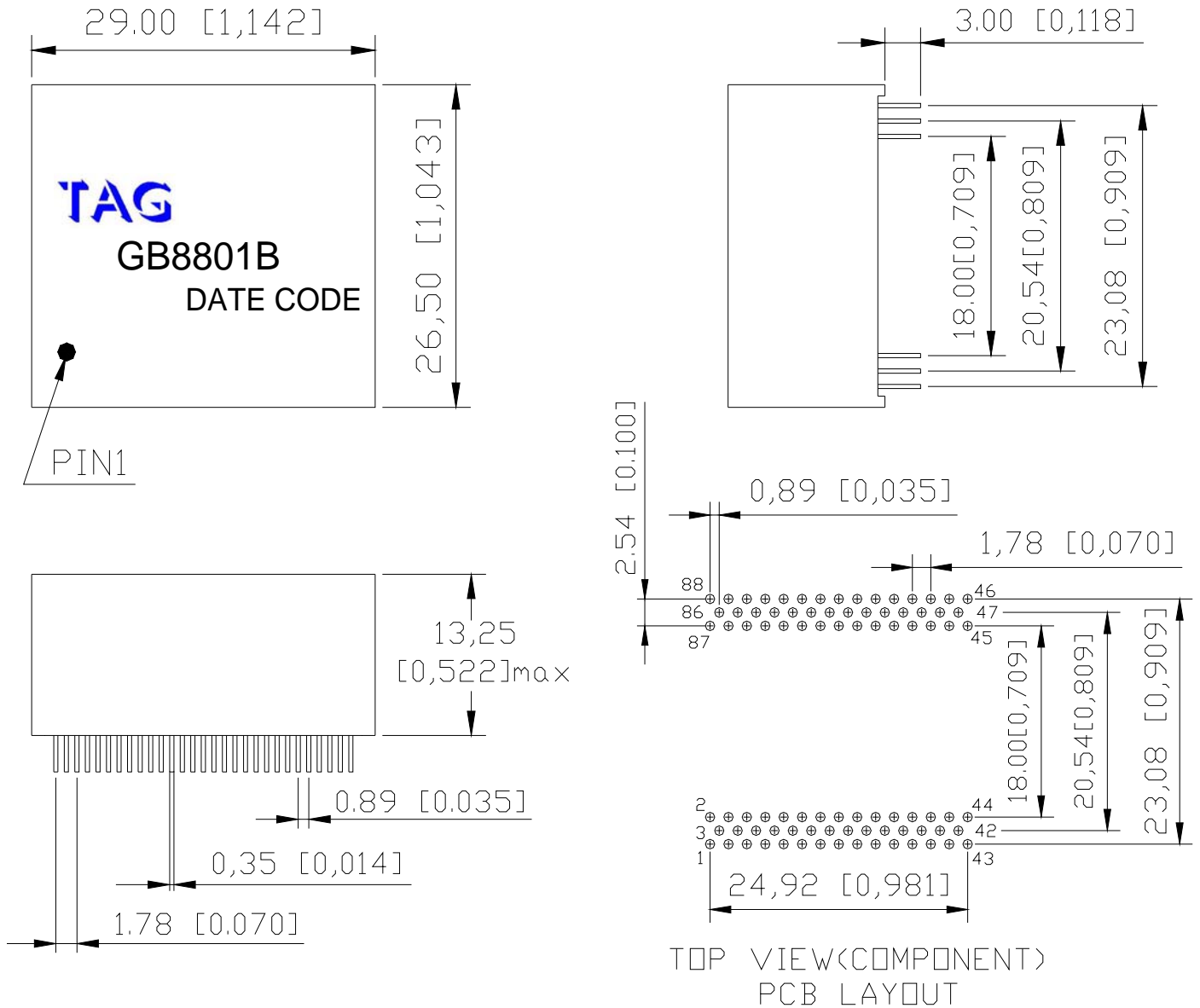
Data subject to change without notice. Please contact Tag for assistance locating product specifications

EKO TECH CO. LTD.

100/1000 BASE-T TRANSFORMER MODULES

MECHANICAL SPECIFICATIONS

GB8801B\GB8801BP



NOTE. DIMENSIONS:MM(INCHES)/UNLESS OTHERWISE SPECIFIED ALL TOLERANCES ARE $\pm 0.25(0.010)$.

EKO TECH CO. LTD.

HEAD OFFICE :

5F-1, 128, Xinhu 2nd. Rd.,

Neihu Chiu, Taipei, Taiwan 114

TEL : 886- 2- 2791- 9208

FAX : 886- 2- 2791- 9271

Email : sales@eko.com.tw

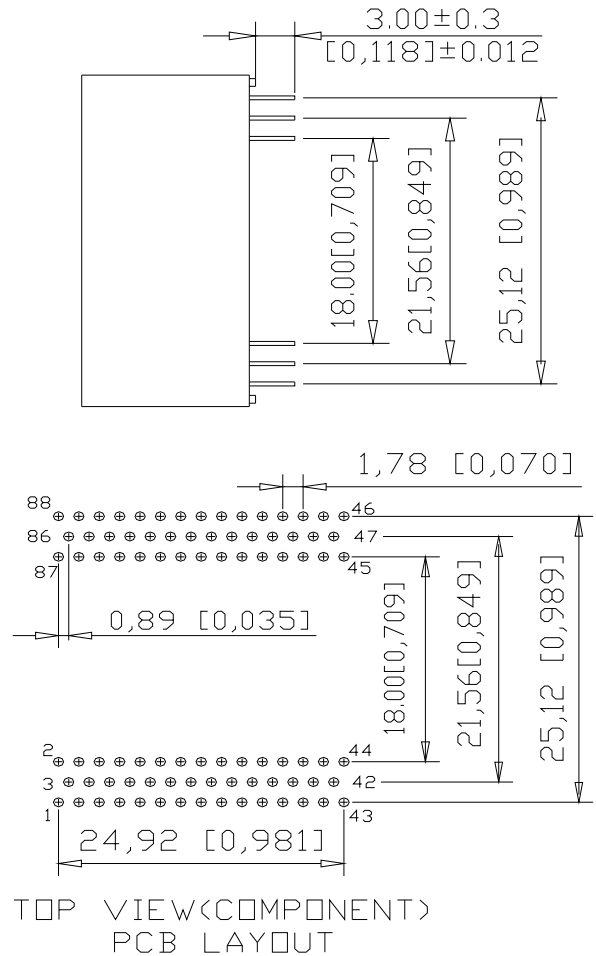
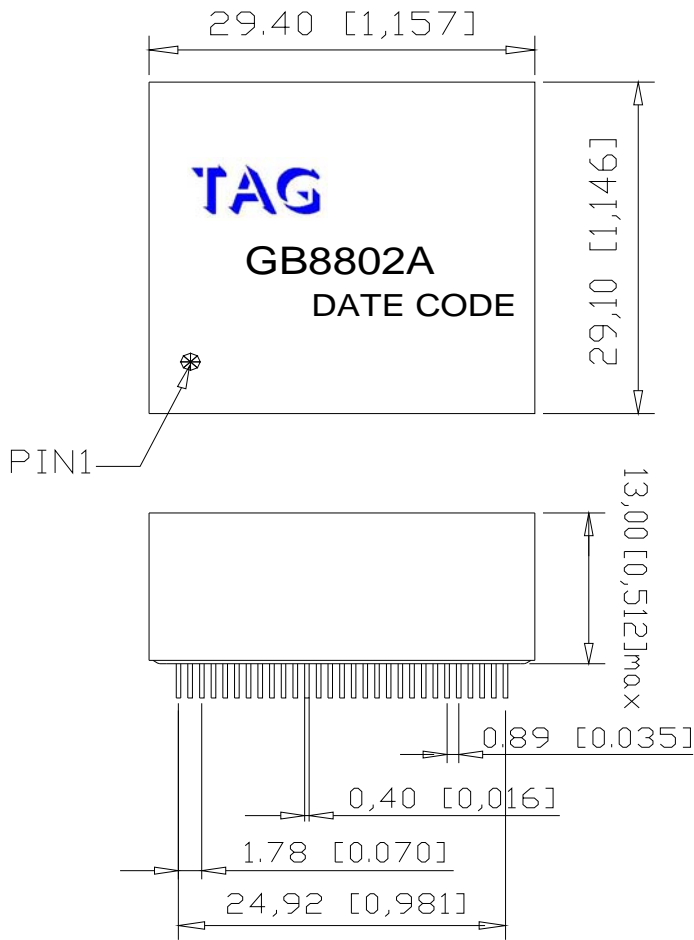
Data subject to change without notice. Please contact Tag for assistance locating product specifications

EKO TECH CO. LTD.

100/1000 BASE-T TRANSFORMER MODULES

MECHANICAL SPECIFICATIONS

GB8802A



NOTE. DIMENSIONS:MM(INCHES)/UNLESS OTHERWISE SPECIFIED ALL TOLERANCES ARE ±0.25(0.010).

EKO TECH CO. LTD.

HEAD OFFICE :

5F-1, 128, Xinhua 2nd. Rd.,

Neihu Chiu, Taipei, Taiwan 114

TEL : 886- 2- 2791- 9208

FAX : 886- 2- 2791- 9271

Email : sales@eko.com.tw

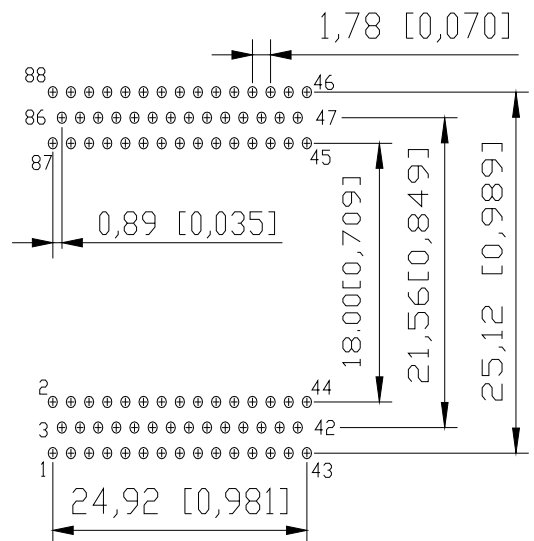
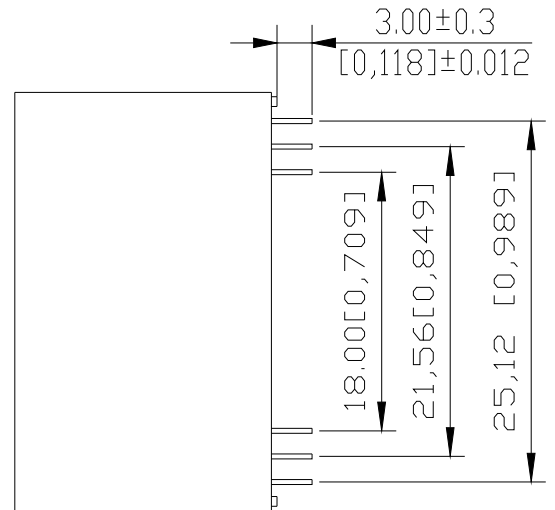
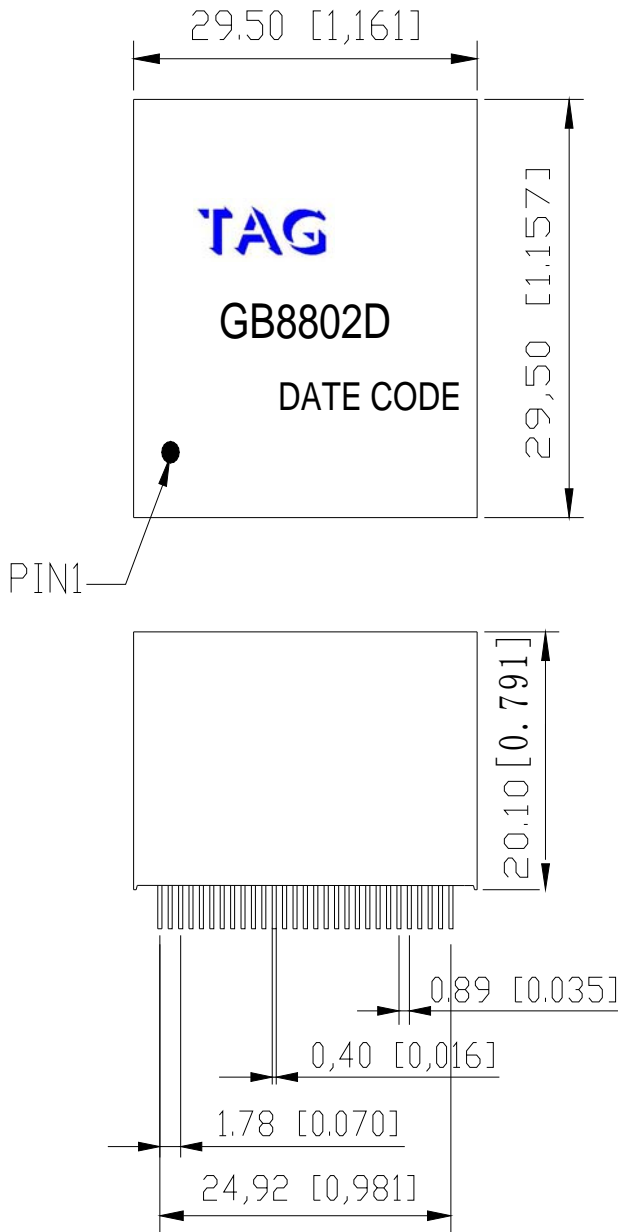
Data subject to change without notice. Please contact Tag for assistance locating product specifications

EKO TECH CO. LTD.

100/1000 BASE-T TRANSFORMER MODULES

MECHANICAL SPECIFICATIONS

GB8802D



NOTE. DIMENSIONS:MM(INCHES)/UNLESS OTHERWISE SPECIFIED ALL TOLERANCES ARE ±0.25(0.010).

EKO TECH CO. LTD.

HEAD OFFICE :

5F-1, 128, Xinhua 2nd. Rd.,

Neihu Chiu, Taipei, Taiwan 114

TEL : 886- 2- 2791- 9208

FAX : 886- 2- 2791- 9271

Email : sales@eko.com.tw

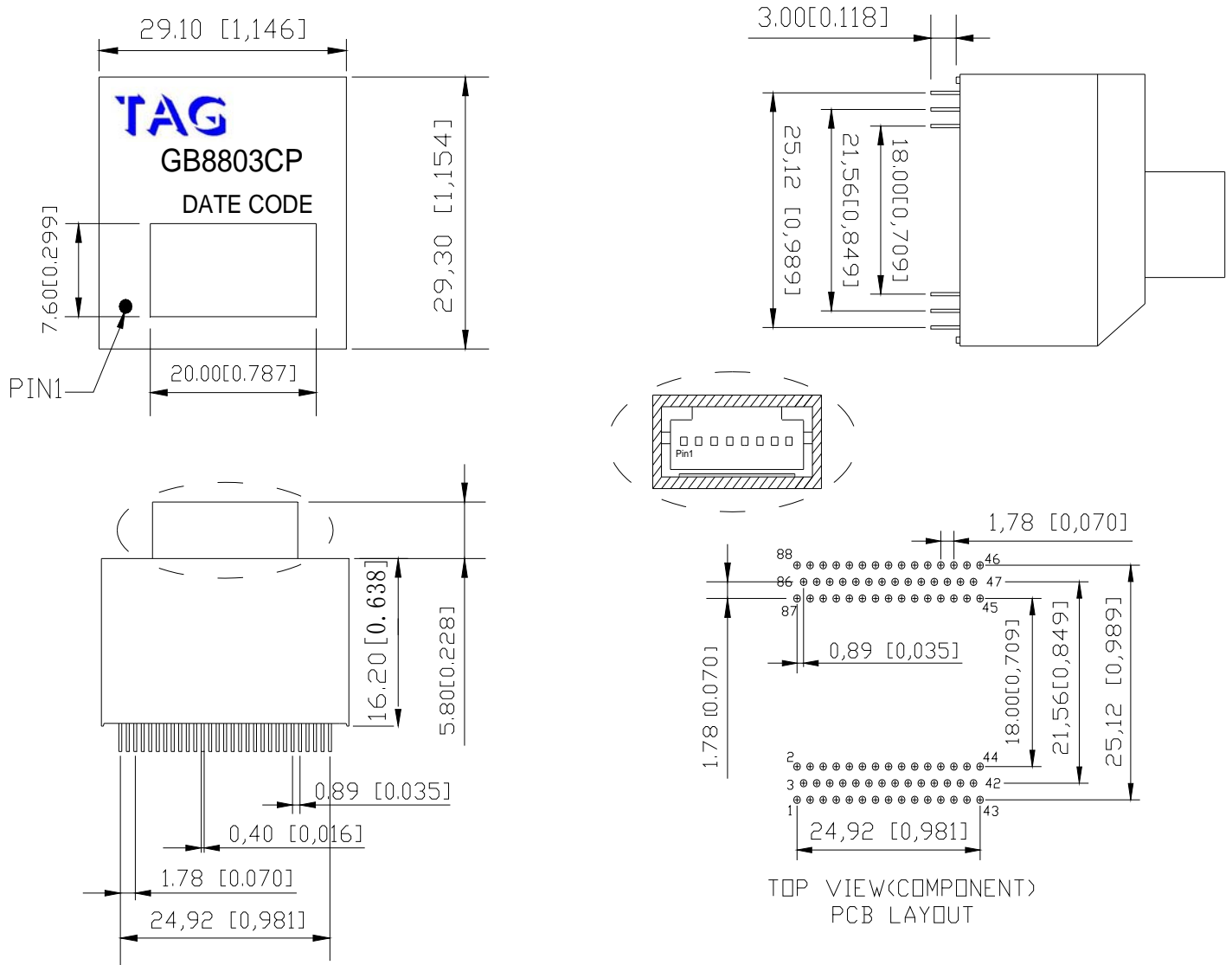
Data subject to change without notice. Please contact Tag for assistance locating product specifications

EKO TECH CO. LTD.

100/1000 BASE-T TRANSFORMER MODULES

MECHANICAL SPECIFICATIONS

GB8803CP



NOTE. DIMENSIONS:MM(INCHES)/UNLESS OTHERWISE SPECIFIED ALL TOLERANCES ARE $\pm 0.25(0.010)$.

EKO TECH CO. LTD.

HEAD OFFICE :

5F-1, 128, Xinhua 2nd. Rd.,

Neihu Chiu, Taipei, Taiwan 114

TEL : 886- 2- 2791- 9208

FAX : 886- 2- 2791- 9271

Email : sales@eko.com.tw

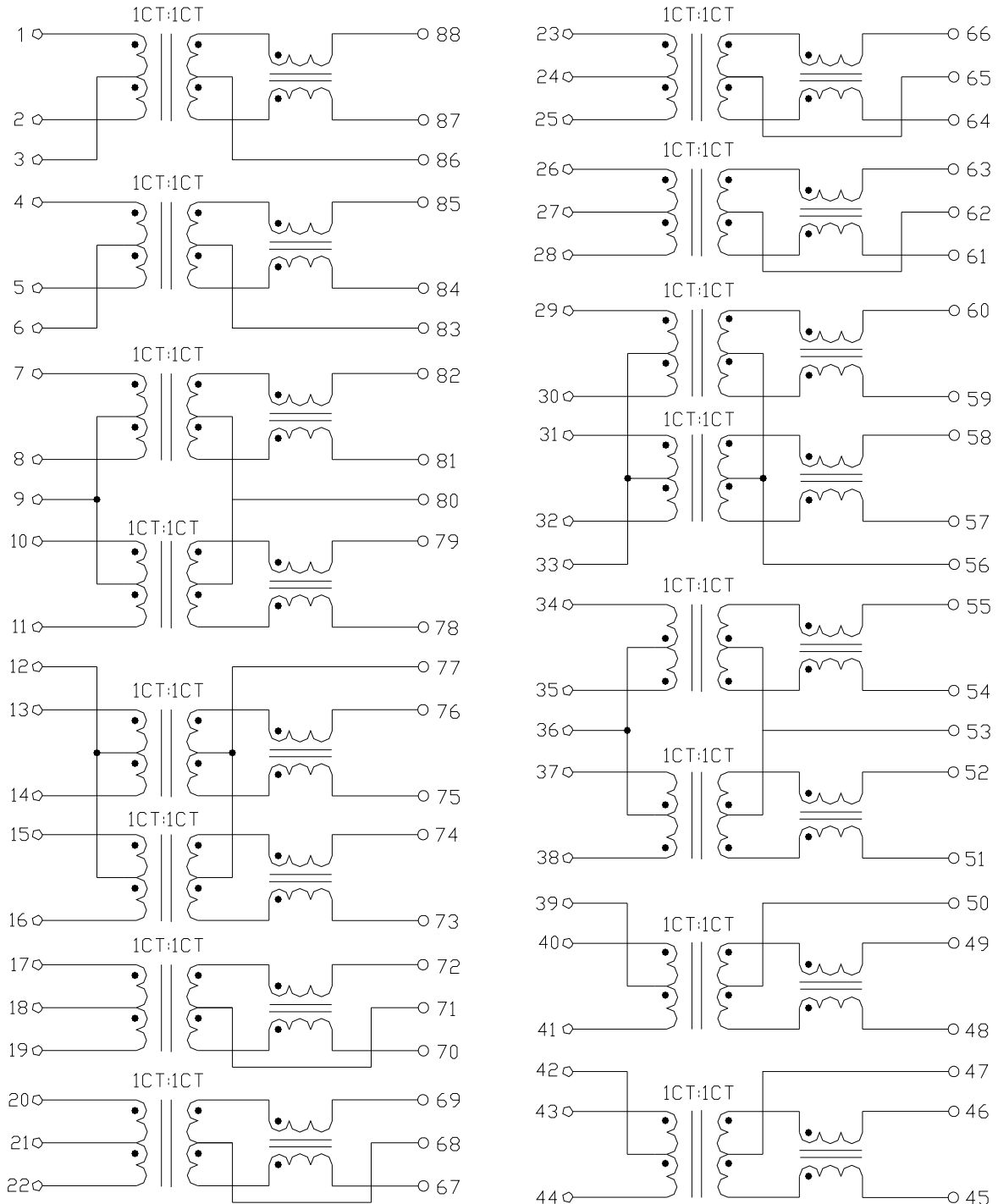
Data subject to change without notice. Please contact Tag for assistance locating product specifications

EKO TECH CO. LTD.

100/1000 BASE-T TRANSFORMER MODULES

SCHEMATICS

GB8801B\GB8801BP



EKO TECH CO. LTD.

HEAD OFFICE :

5F-1, 128, Xinhua 2nd. Rd.,

Neihu Chiu, Taipei, Taiwan 114

TEL : 886- 2- 2791- 9208

FAX : 886- 2- 2791- 9271

Email : sales@eko.com.tw

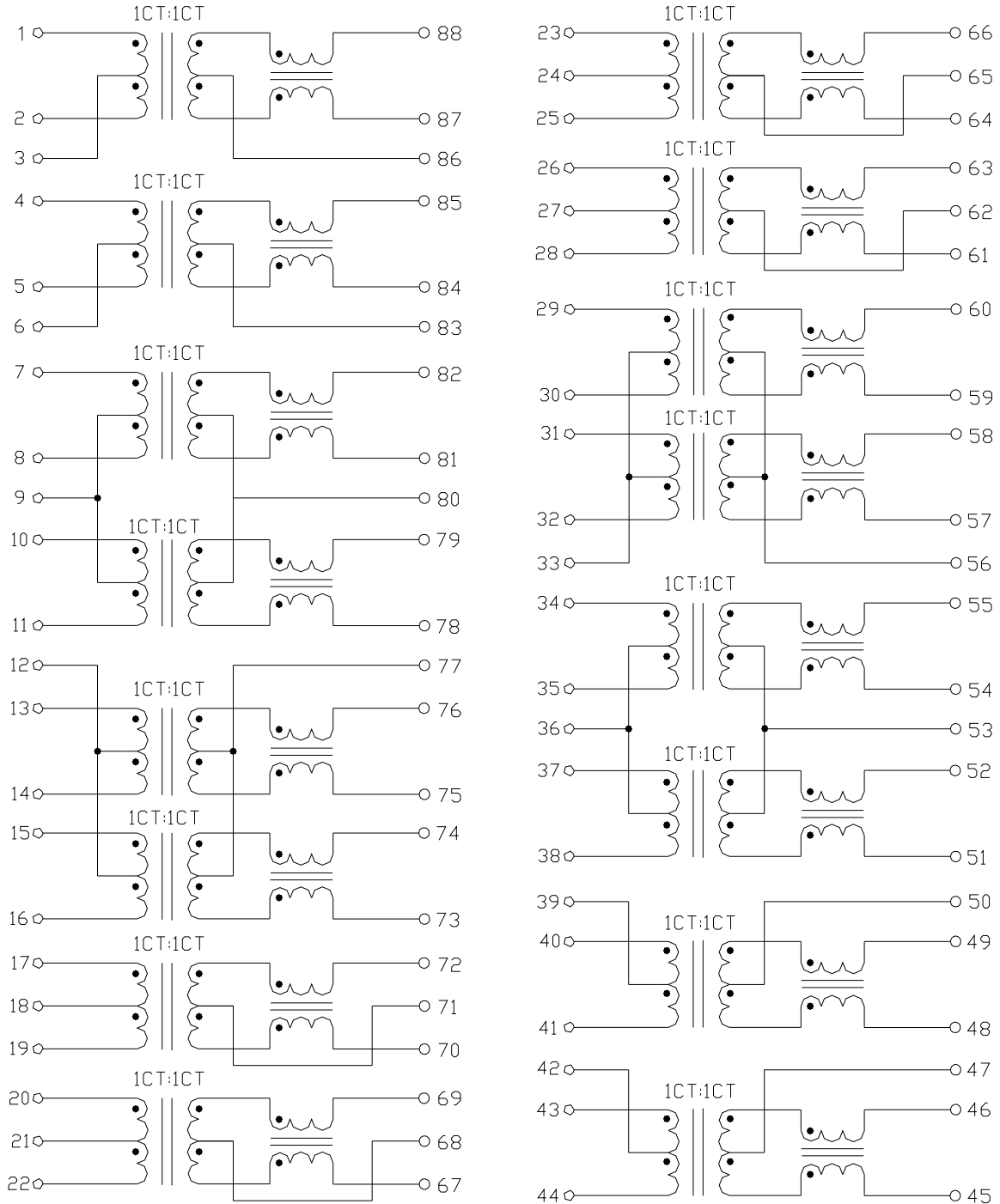
Data subject to change without notice. Please contact Tag for assistance locating product specifications

EKO TECH CO. LTD.

100/1000 BASE-T TRANSFORMER MODULES

SCHEMATICS

GB8802X



EKO TECH CO. LTD.

HEAD OFFICE :

5F-1, 128, Xinhua 2nd. Rd.,

Neihu Chiu, Taipei, Taiwan 114

TEL : 886- 2- 2791- 9208

FAX : 886- 2- 2791- 9271

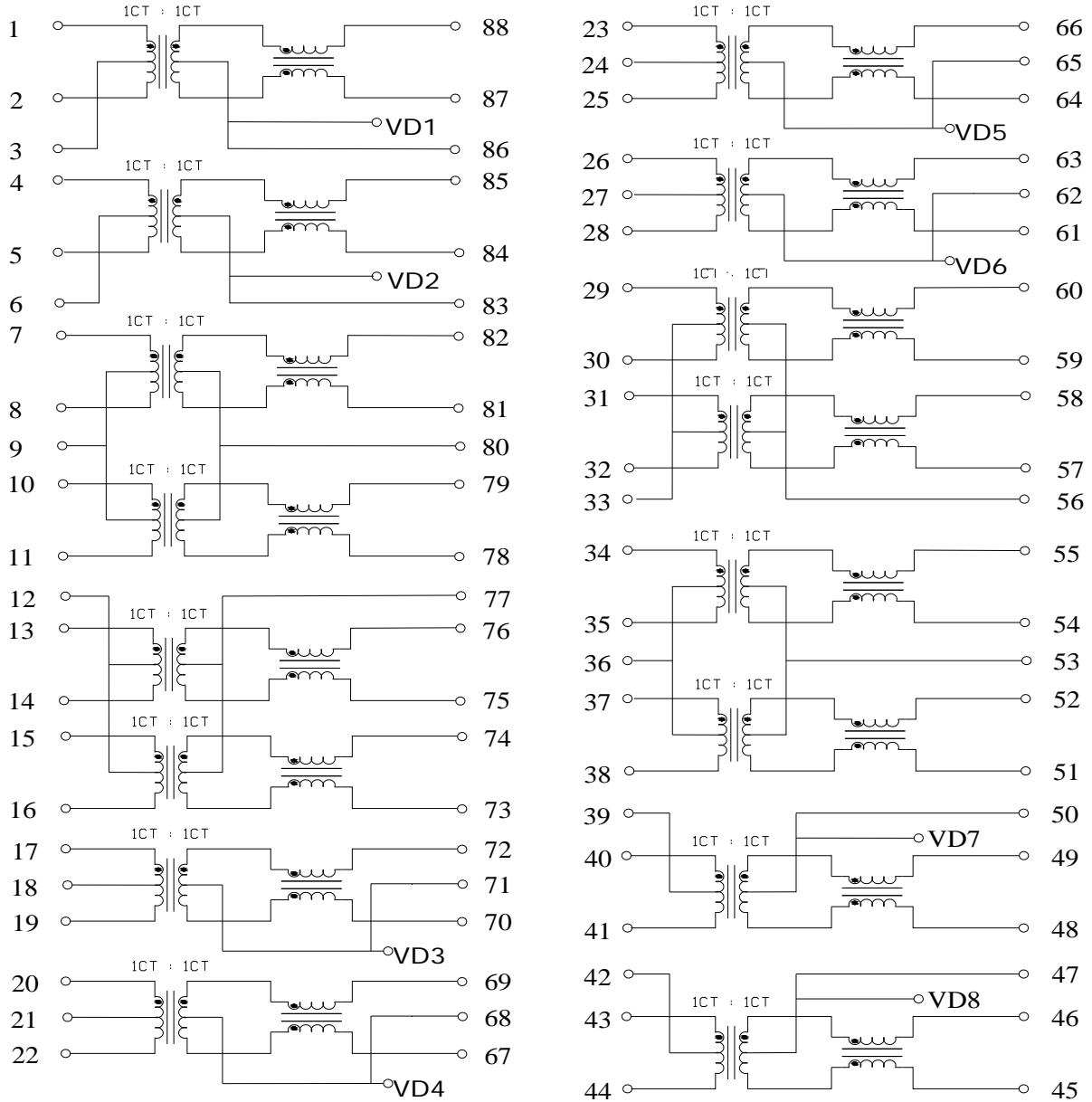
Email : sales@eko.com.tw

EKO TECH CO. LTD.

100/1000 BASE-T TRANSFORMER MODULES

SCHEMATICS

GB8803X



EKO TECH CO. LTD.

HEAD OFFICE :

5F-1, 128, Xinhua 2nd. Rd.,

Neihu Chiu, Taipei, Taiwan 114

TEL : 886- 2- 2791- 9208

FAX : 886- 2- 2791- 9271

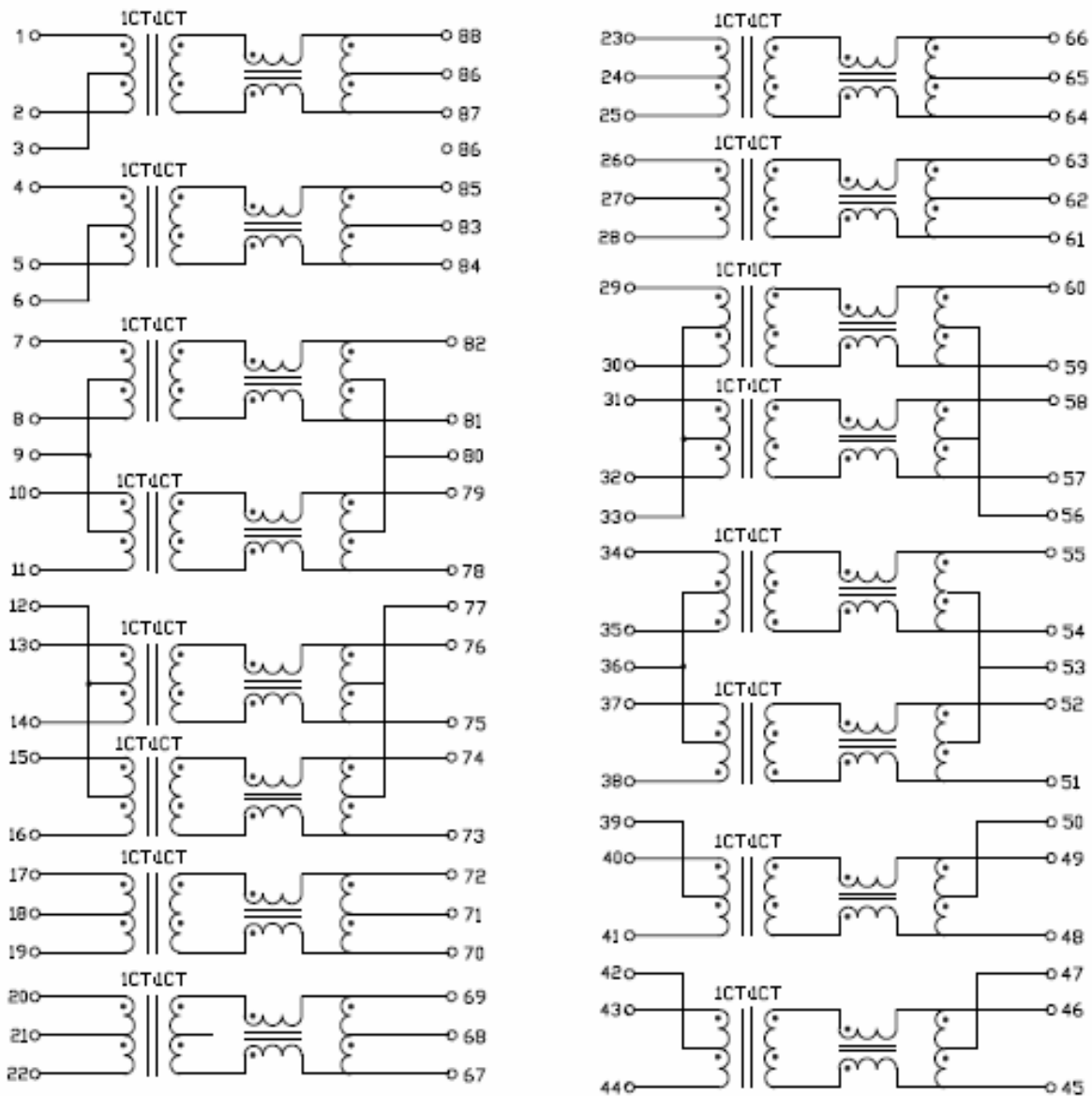
Email : sales@eko.com.tw

EKO TECH CO. LTD.

100/1000 BASE-T TRANSFORMER MODULES

SCHEMATICS

GB8804X



EKO TECH CO. LTD.

HEAD OFFICE :

5F-1, 128, Xiniu 2nd. Rd.,

Neihu Chiu, Taipei, Taiwan 114

TEL : 886- 2- 2791- 9208

FAX : 886- 2- 2791- 9271

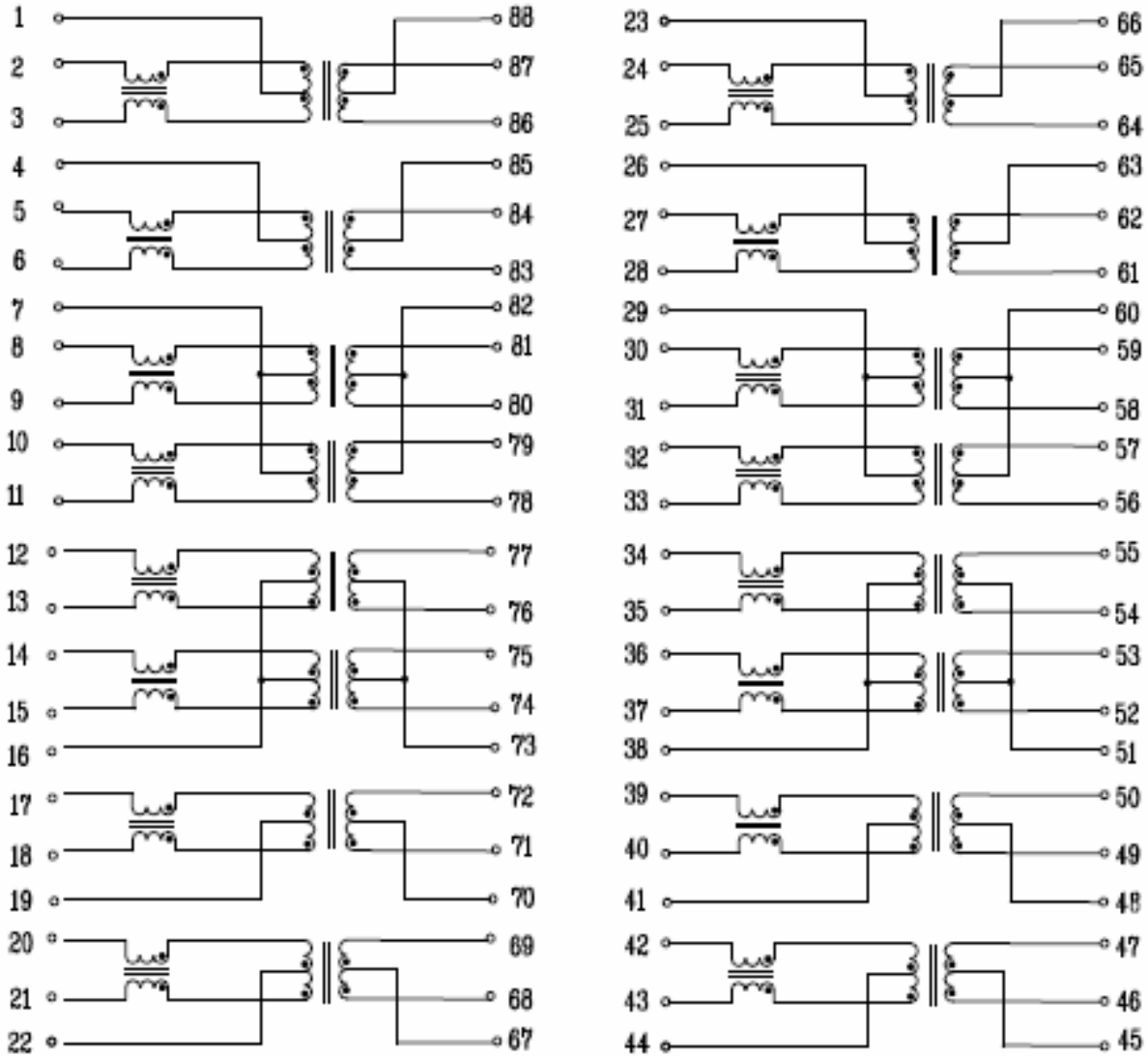
Email : sales@eko.com.tw

EKO TECH CO. LTD.

100/1000 BASE-T TRANSFORMER MODULES

SCHEMATICS

GB8805X



EKO TECH CO. LTD.

HEAD OFFICE :

5F-1, 128, Xinhu 2nd. Rd.,

Neihu Chiu, Taipei, Taiwan 114

TEL : 886- 2- 2791- 9208

FAX : 886- 2- 2791- 9271

Email : sales@eko.com.tw

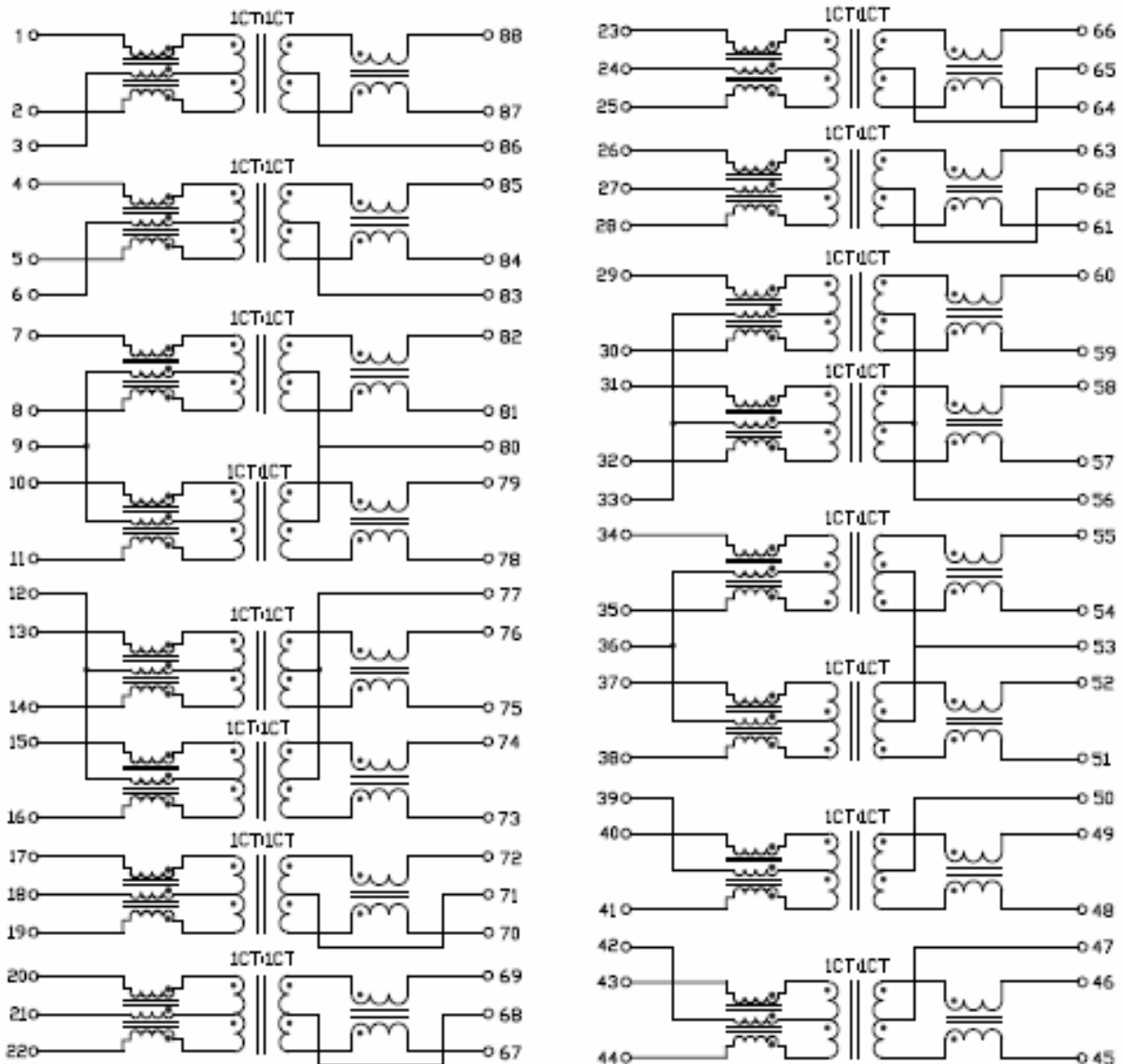
Data subject to change without notice. Please contact Tag for assistance locating product specifications

EKO TECH CO. LTD.

100/1000 BASE-T TRANSFORMER MODULES

SCHEMATICS

GB8806X



EKO TECH CO. LTD.

HEAD OFFICE :

5F-1, 128, Xinhu 2nd. Rd.,

Neihu Chiu, Taipei, Taiwan 114

TEL : 886- 2- 2791- 9208

FAX : 886- 2- 2791- 9271

Email : sales@eko.com.tw

EKO TECH CO. LTD.

100/1000 BASE-T TRANSFORMER MODULES

Magnetic Designs To Support Every PHY.

Complies With IEEE 802.3 Standard Including 350uH Min OCL With 8mA Bias.

Operating Temperature Range:0°C to 70°C

For RoHS Compliance.

ELECTRICAL SPECIFICATIONS @ 25°C - Operating Temperature 0°C to 70°C

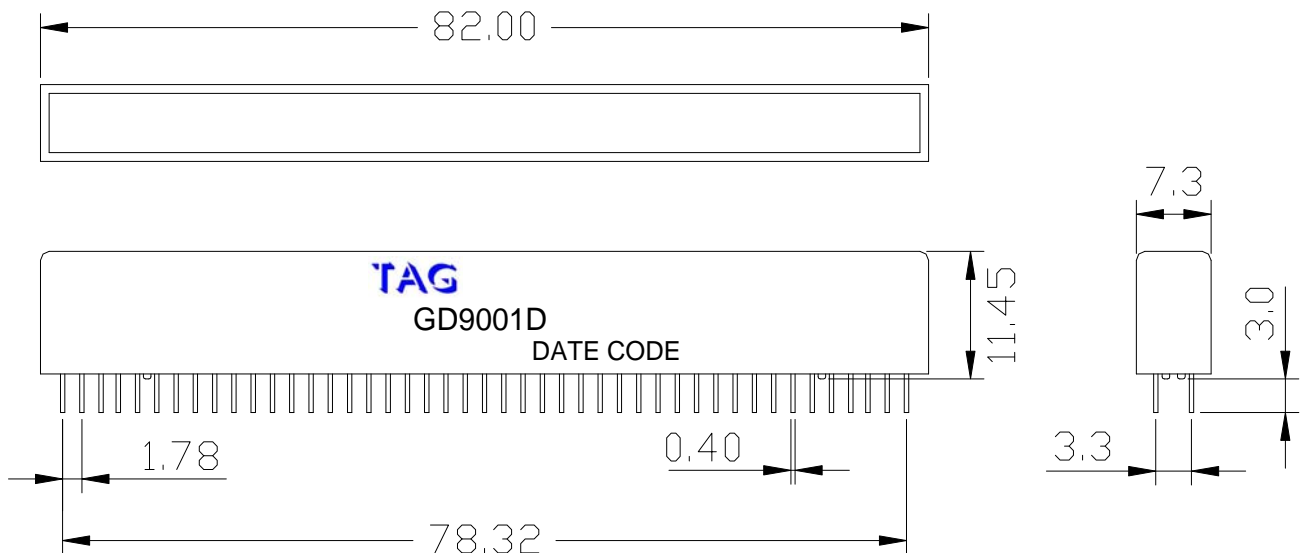
Part Number	Insertion Loss (dB max)		Return Loss (dB min)				Crosstalk (dB min)			CMRR (dB min)
	1-100Mhz	1-30MHz	40MHz	50MHz	60-80MHz	100MHz	1-30MHz	30-60MHz	60-125MHz	0.1-100MHz
GD9001D	-1.0	-18	-14.4	-13.1	-12	-10	-40	-35	-30	-30

Note : Isolation Voltage (HiPot) of 1500Vrms

“P” With POE(720mA Current Capability)

MECHANICAL SPECIFICATIONS

GD9001D



NOTE. DIMENSIONS:MM(INCHES)/UNLESS OTHERWISE SPECIFIED ALL TOLERANCES ARE $\pm 0.25(0.010)$.

EKO TECH CO. LTD.

HEAD OFFICE :

5F-1, 128, Xinhu 2nd. Rd.,

Neihu Chiu, Taipei, Taiwan 114

TEL : 886- 2- 2791- 9208

FAX : 886- 2- 2791- 9271

Email : sales@eko.com.tw

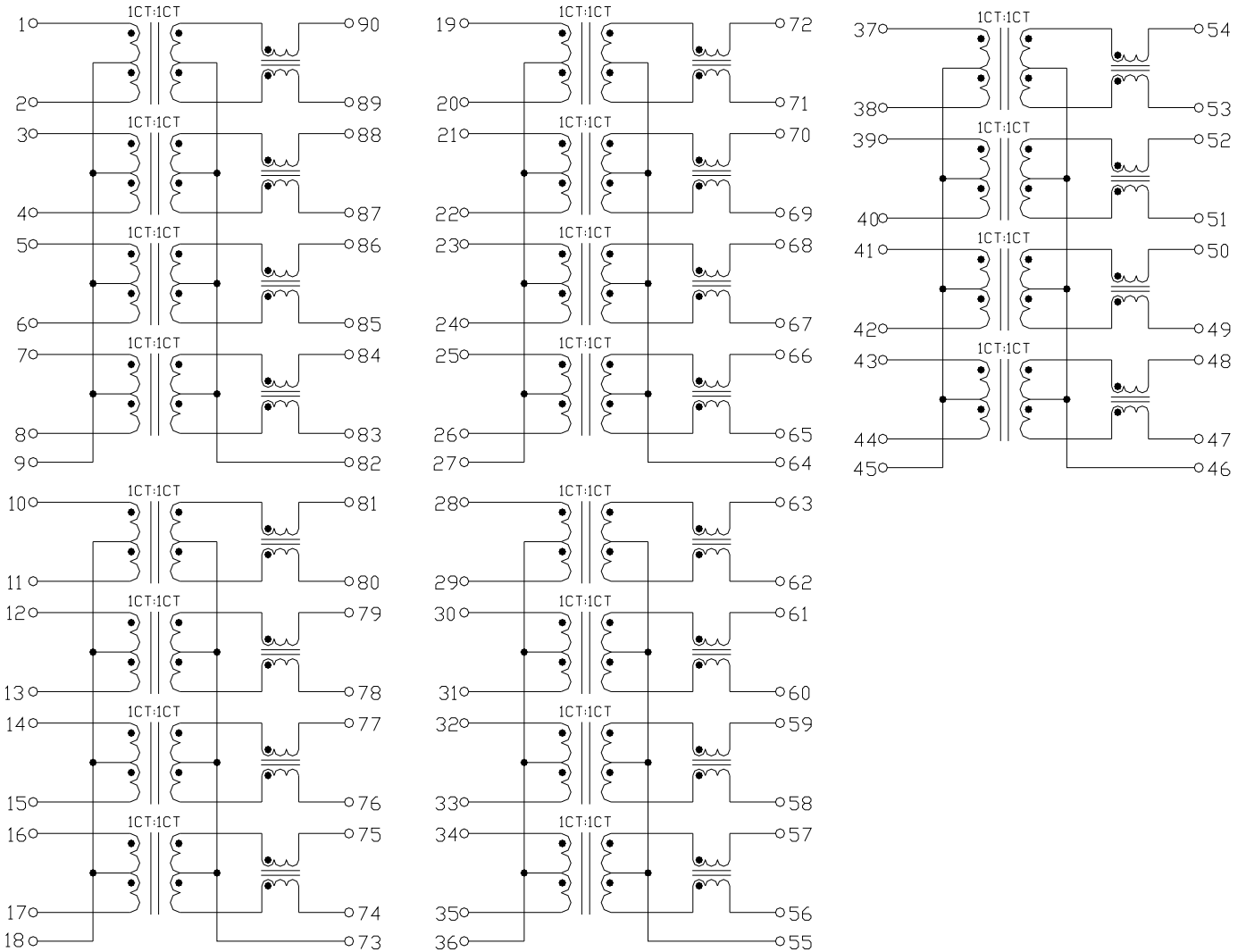
Data subject to change without notice.Please contact Tag for assistance locating product specifications

EKO TECH CO. LTD.

100/1000 BASE-T TRANSFORMER MODULES

SCHEMATICS

GD9001D



EKO TECH CO. LTD.

HEAD OFFICE :

5F-1, 128, Xinhu 2nd. Rd.,

Neihu Chiu, Taipei, Taiwan 114

TEL : 886- 2- 2791- 9208

FAX : 886- 2- 2791- 9271

Email : sales@eko.com.tw

EKO TECH CO. LTD.

100/1000 BASE-T TRANSFORMER MODULES

Designed For Long Haul Gigabit Ethernet 100/1000Base-T, Full Quad Channels Applications.

Supports PoE+ and Auto MDIX in 4 Pairs Of Category 5 UTP Cable

Cable Interface For Isolation And Low Common Mode Emissions

Compliant With IEEE 802.3 Standard For 1000Base-T

Including 350uH Min OCL With 24mA Bias.

For RoHS Compliance.

Part Number	GC9601DP/GD9602D				
Parameter	ELECTRICAL SPECIFICATIONS @ 25°C - Operating Temperature 0°C to 70°C				
Insertion Loss (dB max)	1-30MHz	100MHz		125MHz	
	-1.0dB	-1.8dB		-3.0dB	
Return Loss (dB min)	1MHz	30MHz	60MHz	80MHz	100MHz
	-20dB	-18dB	-14.4dB	-12dB	-10dB
Crosstalk (dB min)	1MHz	30MHz		60MHz	100MHz
	-50dB	-43dB		-38dB	-33dB
CMRR (dB min)	125MHz	250MHz	375MHz	500MHz	625-1000MHz
	-35dB	-28dB	-24dB	-18dB	-15dB

Note : Isolation Voltage (HiPot) of 1500Vrms

“P” With POE(840mA Max Current Capability)

EKO TECH CO. LTD.

HEAD OFFICE :

TEL : 886- 2- 2791- 9208

5F-1, 128, Xinhu 2nd. Rd.,

FAX : 886- 2- 2791- 9271

Neihu Chiu, Taipei, Taiwan 114

Email : sales@eko.com.tw

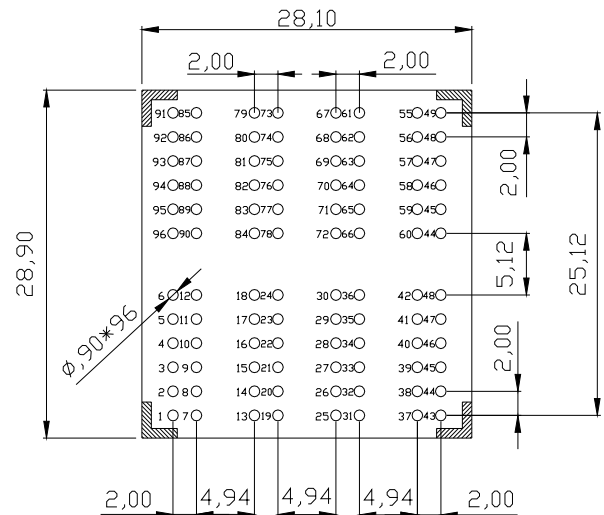
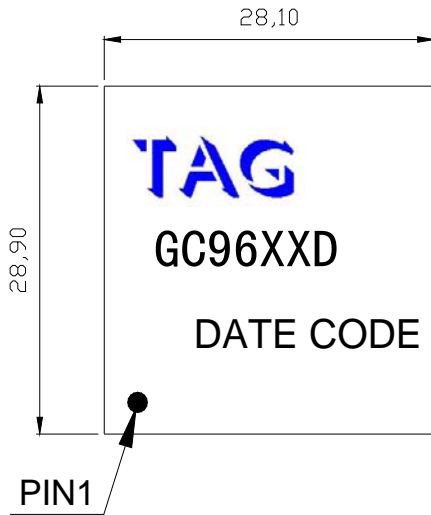
Data subject to change without notice. Please contact Tag for assistance locating product specifications

EKO TECH CO. LTD.

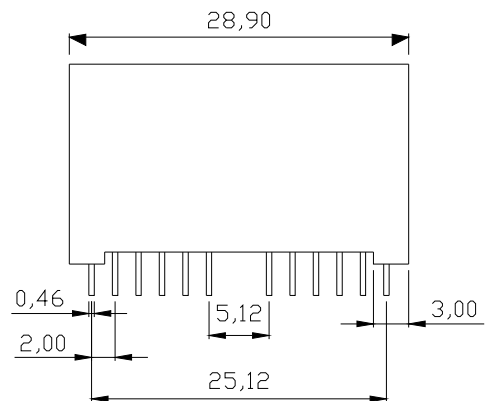
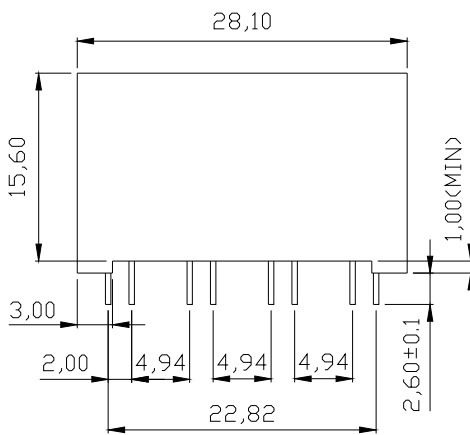
100/1000 BASE-T TRANSFORMER MODULES

MECHANICAL SPECIFICATIONS

GC96XXDP



NO COMPONENT AREA.
 SUGGESTED CUSTOMER PCB LAYOUT
 (COMPONENT SIDE)



NOTE. DIMENSIONS:MM(INCHES)/UNLESS OTHERWISE SPECIFIED ALL TOLERANCES ARE $\pm 0.25(0.010)$.

EKO TECH CO. LTD.

HEAD OFFICE :

5F-1, 128, Xinhu 2nd. Rd.,

Neihu Chiu, Taipei, Taiwan 114

TEL : 886- 2- 2791- 9208

FAX : 886- 2- 2791- 9271

Email : sales@eko.com.tw

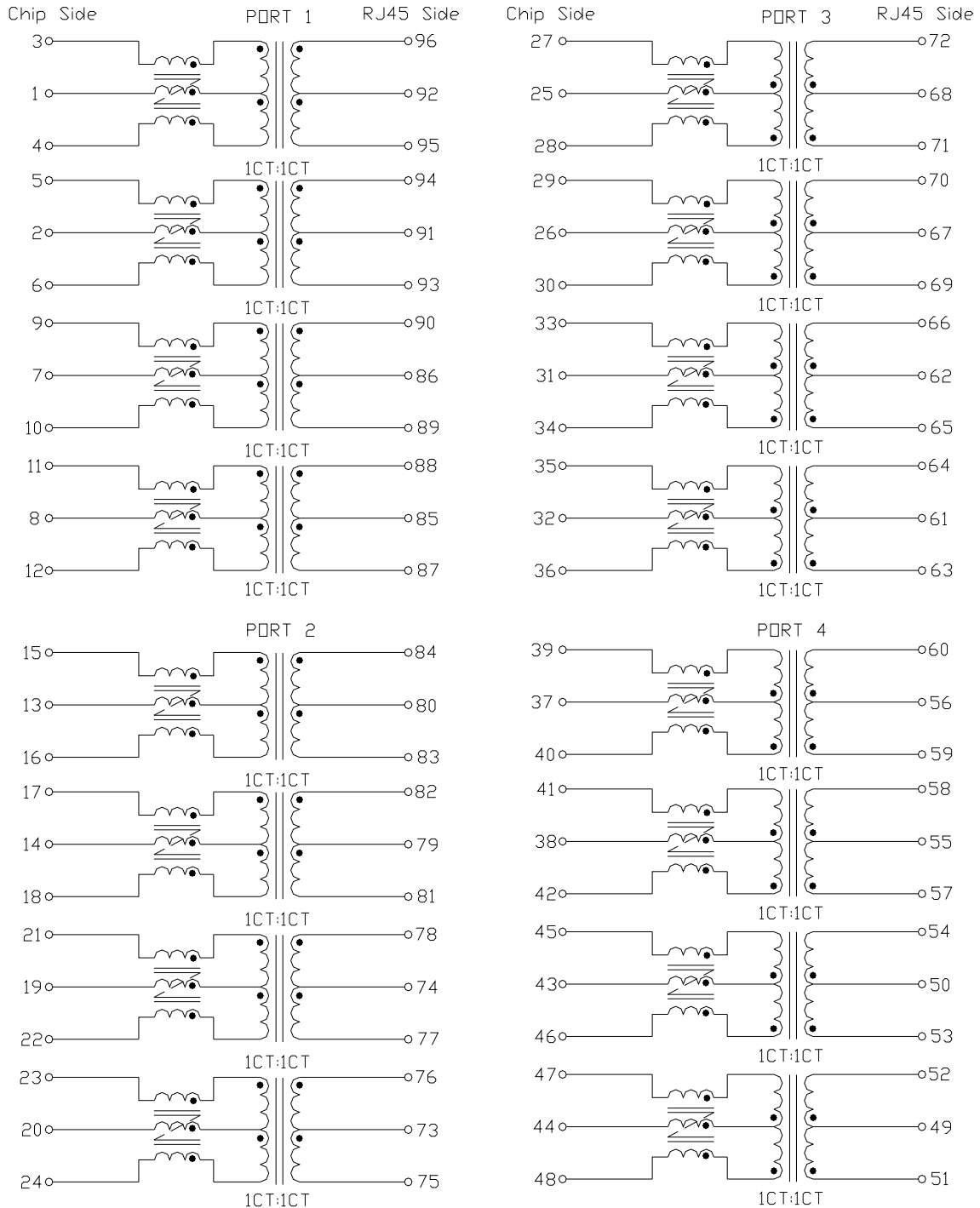
Data subject to change without notice. Please contact Tag for assistance locating product specifications

EKO TECH CO. LTD.

100/1000 BASE-T TRANSFORMER MODULES

SCHEMATICS

GC9601DP



EKO TECH CO. LTD.

HEAD OFFICE :

5F-1, 128, Xinhua 2nd. Rd.,

Neihu Chiu, Taipei, Taiwan 114

TEL : 886- 2- 2791- 9208

FAX : 886- 2- 2791- 9271

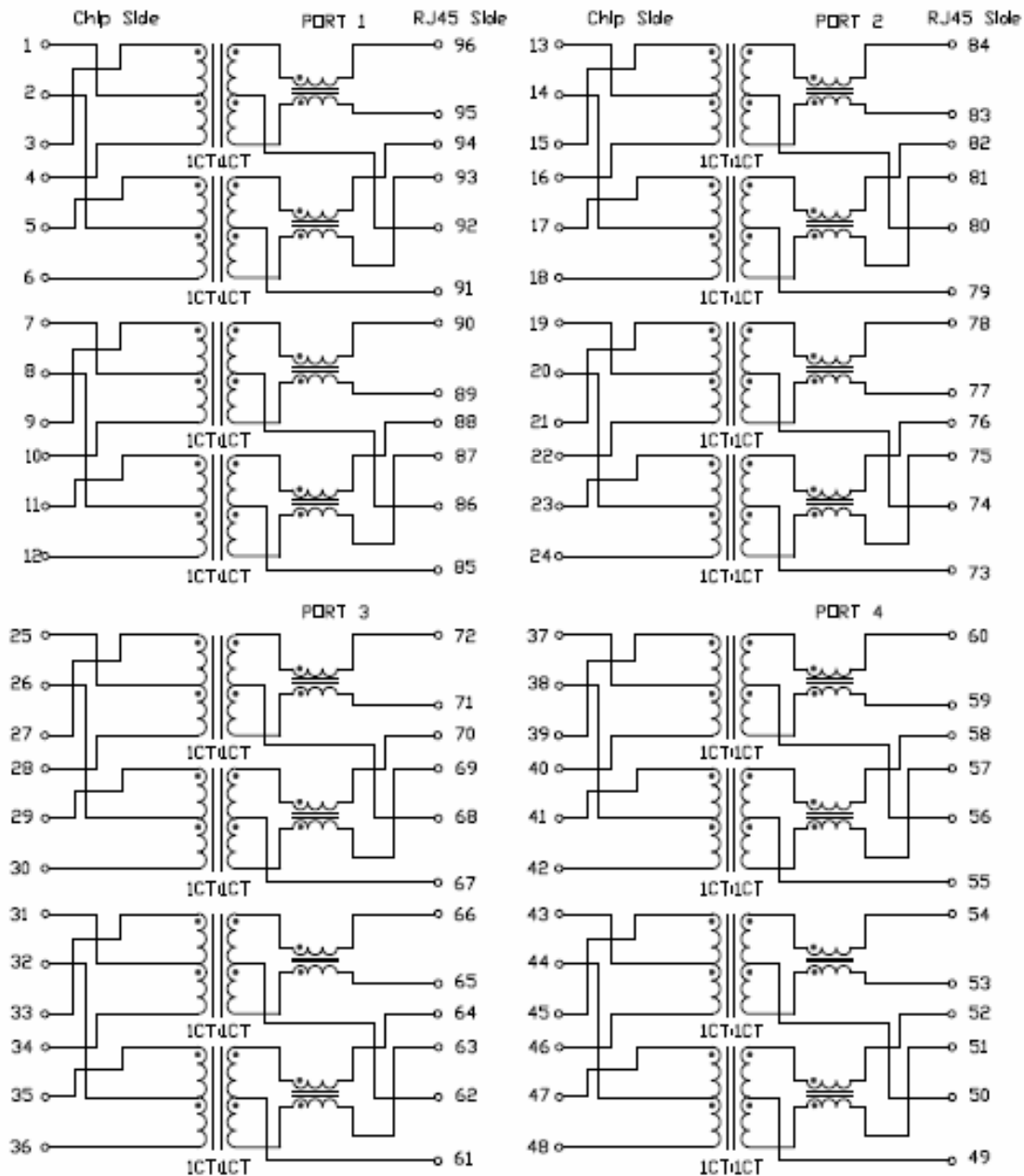
Email : sales@eko.com.tw

EKO TECH CO. LTD.

100/1000 BASE-T TRANSFORMER MODULES

SCHEMATICS

GD9602D



EKO TECH CO. LTD.

HEAD OFFICE :

TEL : 886- 2- 2791- 9208

5F-1, 128, Xinhu 2nd. Rd.,

FAX : 886- 2- 2791- 9271

Neihu Chiu, Taipei, Taiwan 114

Email : sales@eko.com.tw

EKO TECH CO. LTD.

100/1000 BASE-T TRANSFORMER MODULES

Designed For Long Haul Gigabit Ethernet 100Base-T, Full Duplex Applications

Supports 4 Pairs Of Category 5 UTP Cable.

Cable Interface For Isolation And Low Common Mode Emissions.

Compliant With IEEE802.3ab Standard For 1000 Base-T.

For RoHS Compliance.

ELECTRICAL SPECIFICATIONS @ 25°C - Operating Temperature 0°C to 70°C

Part Number	Insertion Loss (dB max)		Return Loss (dB min)				Crosstalk (dB min)			DCMR (dB min)		
	1-100MHz	1-30MHz	40MHz	50MHz	60-80MHz	100MHz	30MHz	60MHz	100MHz	30MHz	60MHz	100MHz
GB14401A	-1.1	-18	-12	-12	-12	-10	-40	-35	-32	-40	-35	-32

Note : Isolation Voltage (HiPot) of 1500Vrms

EKO TECH CO. LTD.

HEAD OFFICE :

5F-1, 128, Xinhu 2nd. Rd.,

Neihu Chiu, Taipei, Taiwan 114

TEL : 886- 2- 2791- 9208

FAX : 886- 2- 2791- 9271

Email : sales@eko.com.tw

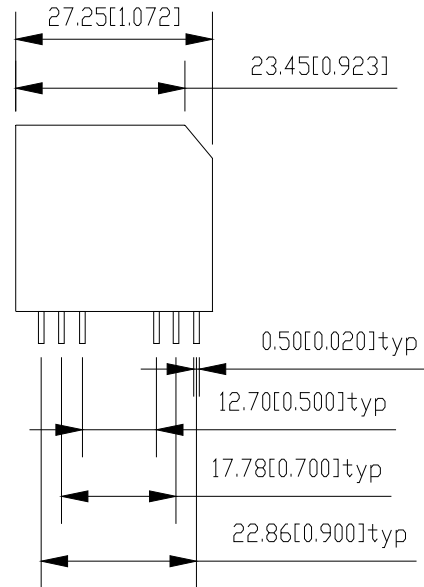
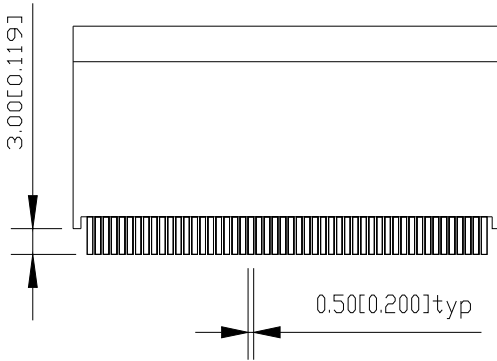
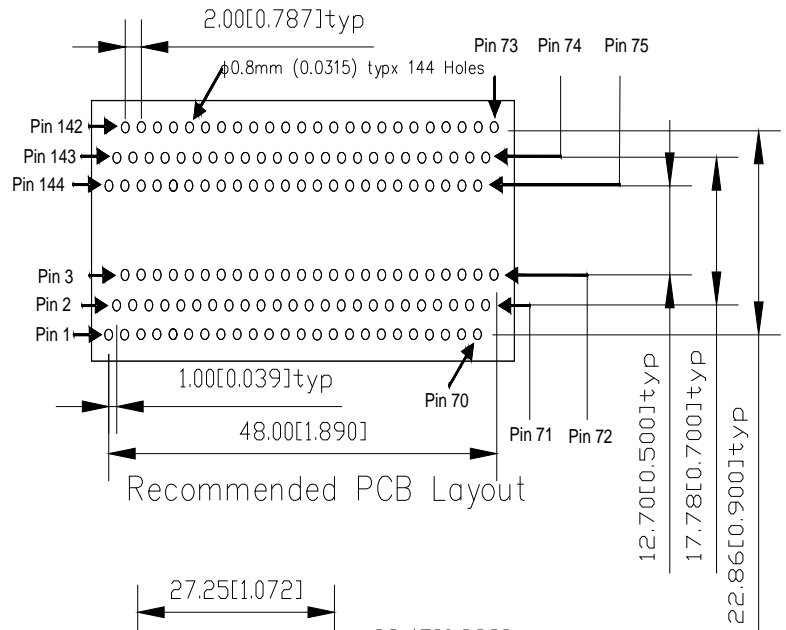
Data subject to change without notice. Please contact Tag for assistance locating product specifications

EKO TECH CO. LTD.

100/1000 BASE-T TRANSFORMER MODULES

MECHANICAL SPECIFICATIONS

GB14401A



NOTE. DIMENSIONS:MM(INCHES)/UNLESS OTHERWISE SPECIFIED ALL TOLERANCES ARE $\pm 0.25(0.010)$.

EKO TECH CO. LTD.

HEAD OFFICE :

5F-1, 128, Xinhua 2nd. Rd.,

Neihu Chiu, Taipei, Taiwan 114

TEL : 886- 2- 2791- 9208

FAX : 886- 2- 2791- 9271

Email : sales@eko.com.tw

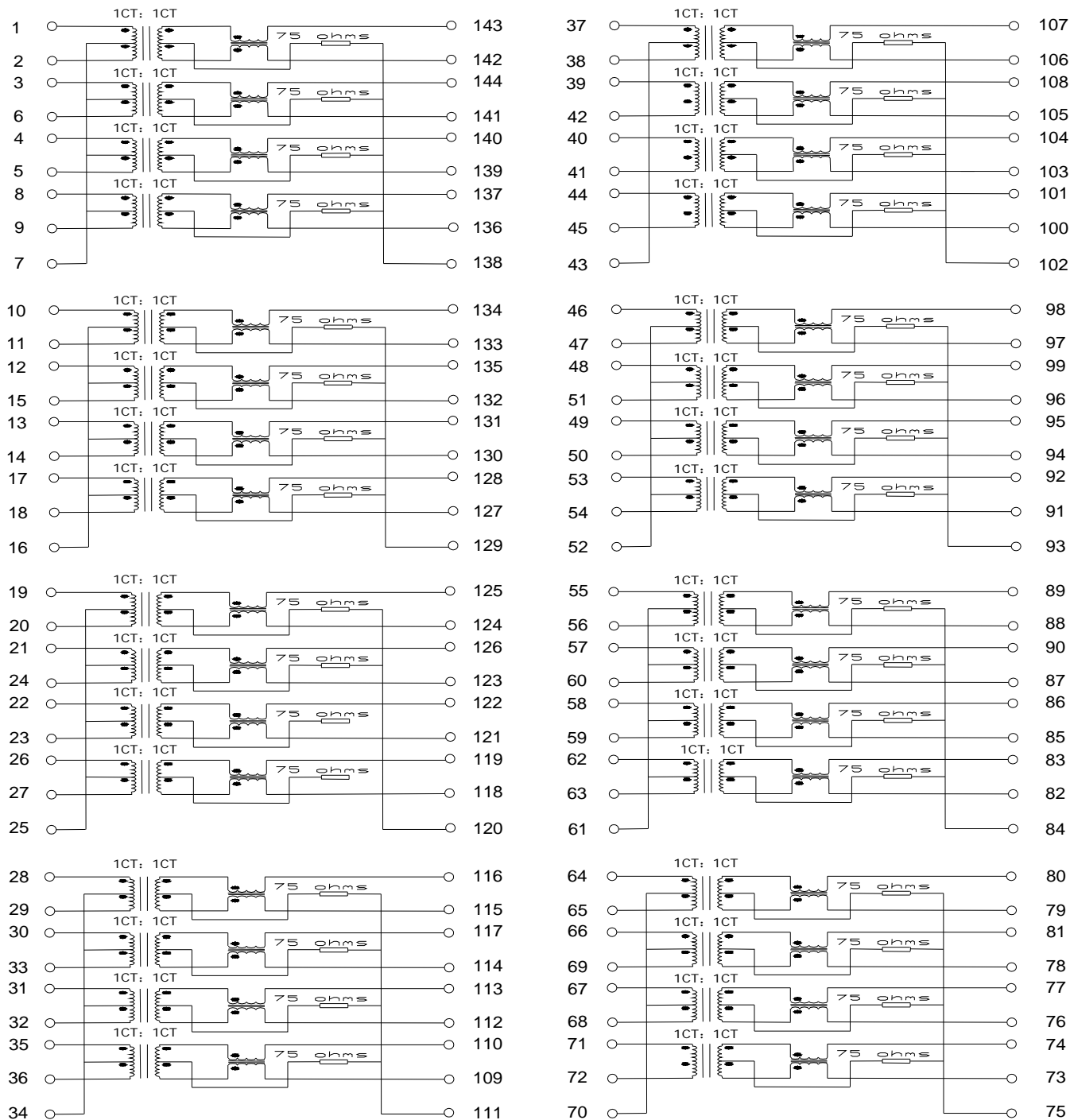
Data subject to change without notice. Please contact Tag for assistance locating product specifications

EKO TECH CO. LTD.

100/1000 BASE-T TRANSFORMER MODULES

MECHANICAL SPECIFICATIONS

GB14401A



NOTE. DIMENSIONS:MM(INCHES)/UNLESS OTHERWISE SPECIFIED ALL TOLERANCES ARE $\pm 0.25(0.010)$.

EKO TECH CO. LTD.

HEAD OFFICE :

5F-1, 128, Xinhu 2nd. Rd.,

Neihu Chiu, Taipei, Taiwan 114

TEL : 886- 2- 2791- 9208

FAX : 886- 2- 2791- 9271

Email : sales@eko.com.tw

Data subject to change without notice. Please contact Tag for assistance locating product specifications

EKO TECH CO. LTD.

T1/CEPT/ISDN-PRI TRANSFORMER

Models Match To Leading Transceiver IC's.

Available In Standard & Extended Temperature.

Low Profile Surface Mount Packaging Designed For Hi-Temp Reflow Process (245 °C Peak).

For RoHS Compliance.

ELECTRICAL SPECIFICATIONS @ 25°C - Operating Temperature 0°C to 70°C

Part Number	Turns Ratio +/-3%	Primary Pins	Open Oct Inductance OCL(UH min)	DCR (Ω max)	
				Pri	Sec
TS0401A	1CT:1.666CT	1-2,4-3	30	0.225	0.325
TS0402B	1CT:1CT	1-4	4.7MH+/-30%	1.0	1.0

Note : Isolation Voltage (HiPot) of 1500Vrms

NOTE. DIMENSIONS:MM(INCHES)/UNLESS OTHERWISE SPECIFIED ALL TOLERANCES ARE $\pm 0.25(0.010)$.

EKO TECH CO. LTD.

HEAD OFFICE :

5F-1, 128, Xinhu 2nd. Rd.,

Neihu Chiu, Taipei, Taiwan 114

TEL : 886- 2- 2791- 9208

FAX : 886- 2- 2791- 9271

Email : sales@eko.com.tw

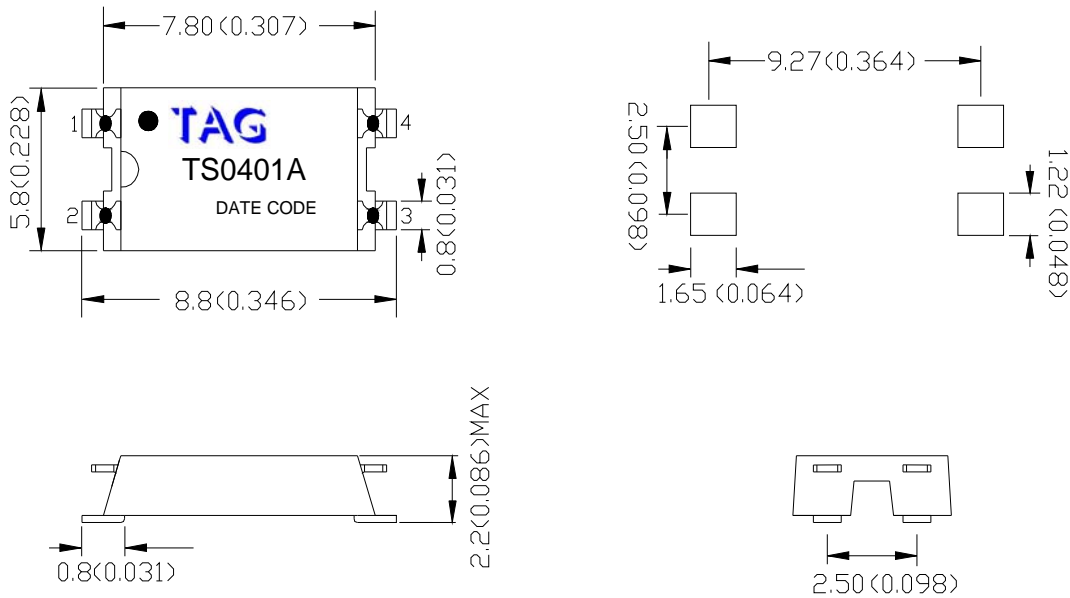
Data subject to change without notice. Please contact Tag for assistance locating product specifications

EKO TECH CO. LTD.

T1/CEPT/ISDN-PRI TRANSFORMER

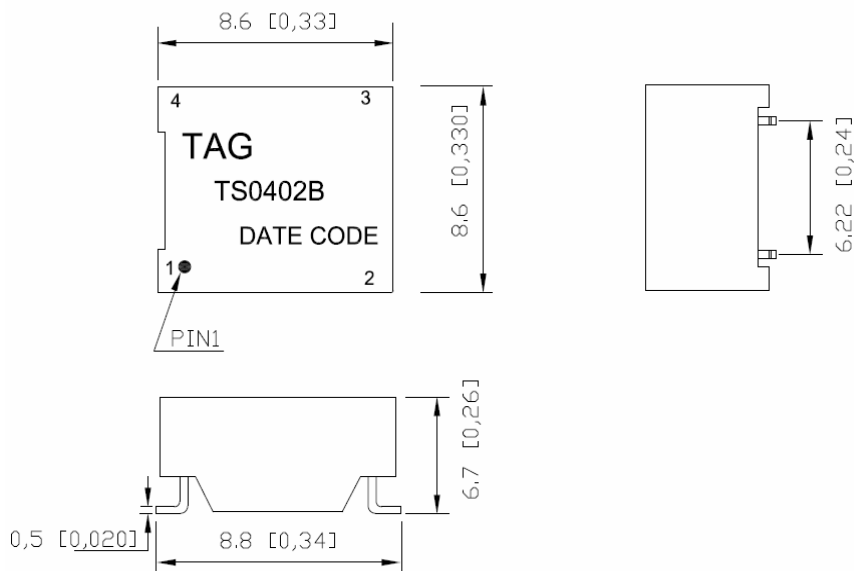
MECHANICAL SPECIFICATIONS

TS0401A



NOTE. DIMENSIONS:MM(INCHES)/UNLESS OTHERWISE SPECIFIED ALL TOLERANCES ARE $\pm 0.25(0.010)$.

TS0402B



NOTE. DIMENSIONS:MM(INCHES)/UNLESS OTHERWISE SPECIFIED ALL TOLERANCES ARE $\pm 0.25(0.010)$.

EKO TECH CO. LTD.

HEAD OFFICE :

5F-1, 128, Xinhu 2nd. Rd.,

Neihu Chiu, Taipei, Taiwan 114

TEL : 886- 2- 2791- 9208

FAX : 886- 2- 2791- 9271

Email : sales@eko.com.tw

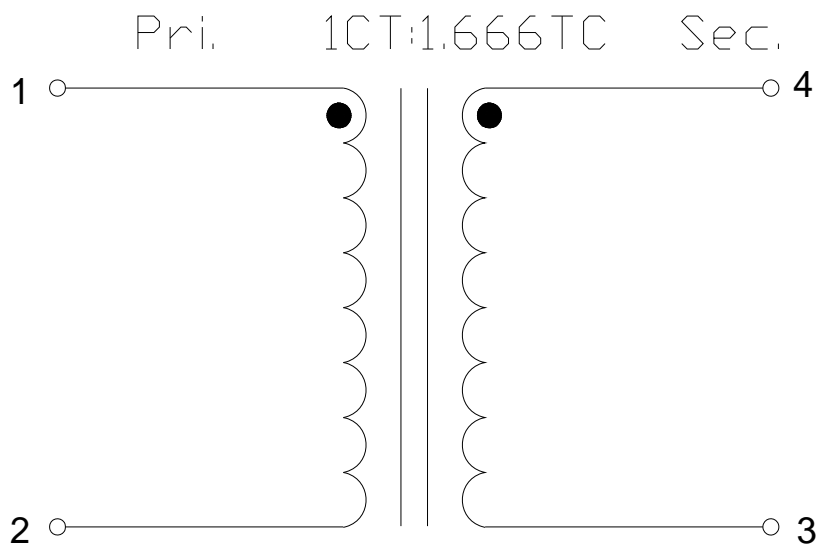
Data subject to change without notice. Please contact Tag for assistance locating product specifications

EKO TECH CO. LTD.

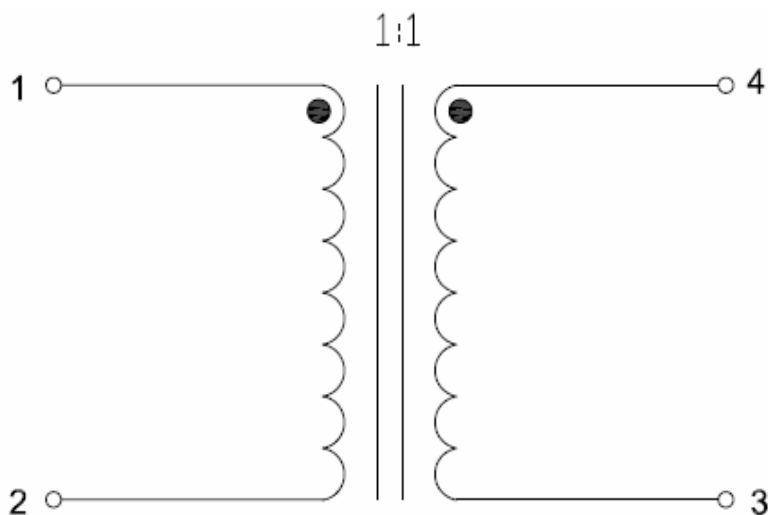
T1/CEPT/ISDN-PRI TRANSFORMER

MECHANICAL SPECIFICATIONS

TS0401A



TS0402B



EKO TECH CO. LTD.

HEAD OFFICE :

5F-1, 128, Xinhua 2nd. Rd.,

Neihu Chiu, Taipei, Taiwan 114

TEL : 886- 2- 2791- 9208

FAX : 886- 2- 2791- 9271

Email : sales@eko.com.tw

Data subject to change without notice. Please contact Tag for assistance locating product specifications

EKO TECH CO. LTD.

T3/DS3/E3/STS-1 TRANSFORMER

Models Match To Leading Transceiver IC's.

Available In Standard & Extended Temperature.

Low Profile Surface Mount Packaging Designed For Hi-Temp Reflow Process (245 °C Peak).

For RoHS Compliance.

ELECTRICAL SPECIFICATIONS @ 25°C - Operating Temperature 0°C to 70°C

Part Number	Turns Ratio	Primary	Open Oct Inductance	Interwinding Capacitance	Leakage Inductance	DCR (Ω max)	
						Pri	Sec
	+/-3%	Pins	OCL(uH min)	Cw/w(pF max)	L/L(uH max)		
TS0601A	2CT:1CT	1-3 , 4-6	19	10	0.06	0.7	1.0
TS0602A	1CT:1CT	1-3,4-6	40	10	0.1		

Note : Isolation Voltage (HiPot) of 1500Vrms

NOTE. DIMENSIONS:MM(INCHES)/UNLESS OTHERWISE SPECIFIED ALL TOLERANCES ARE $\pm 0.25(0.010)$.

EKO TECH CO. LTD.

HEAD OFFICE :

5F-1, 128, Xihu 2nd. Rd.,

Neihu Chiu, Taipei, Taiwan 114

TEL : 886- 2- 2791- 9208

FAX : 886- 2- 2791- 9271

Email : sales@eko.com.tw

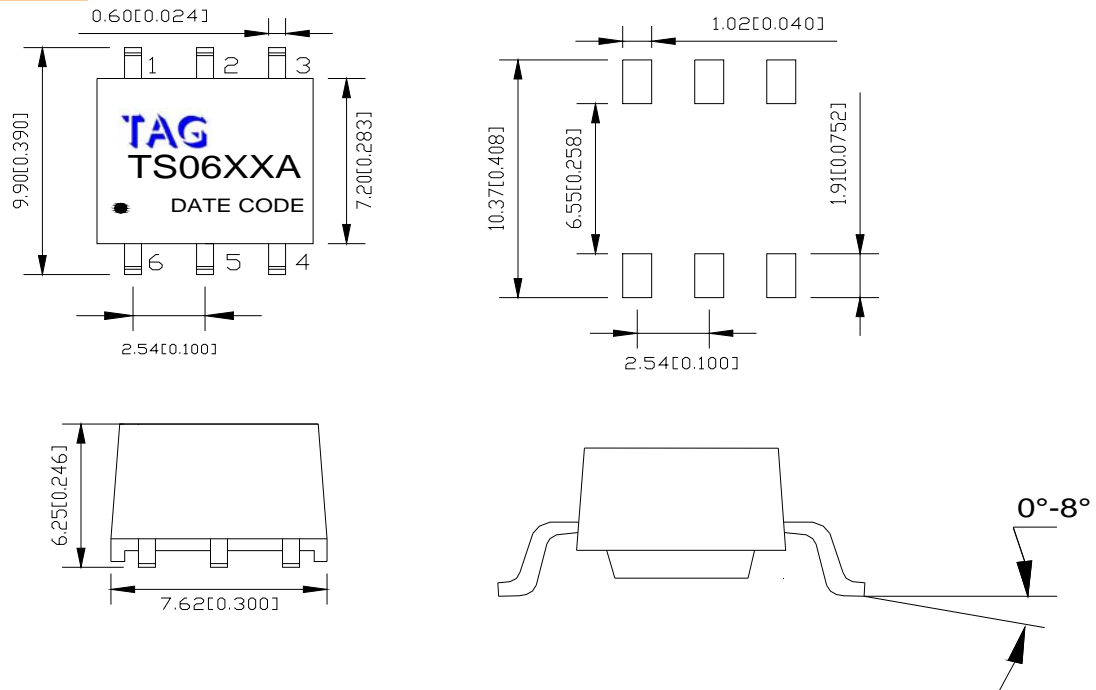
Data subject to change without notice. Please contact Tag for assistance locating product specifications

EKO TECH CO. LTD.

T3/DS3/E3/STS-1 TRANSFORMER

MECHANICAL SPECIFICATIONS

TS06XXA



NOTE. DIMENSIONS:MM(INCHES)/UNLESS OTHERWISE SPECIFIED ALL TOLERANCES ARE $\pm 0.25(0.010)$.

EKO TECH CO. LTD.

HEAD OFFICE :

5F-1, 128, Xinhu 2nd. Rd.,

Neihu Chiu, Taipei, Taiwan 114

TEL : 886- 2- 2791- 9208

FAX : 886- 2- 2791- 9271

Email : sales@eko.com.tw

Data subject to change without notice. Please contact Tag for assistance locating product specifications

EKO TECH CO. LTD.

T1/CEPT/ISDN-PRI TRANSFORMER

Models Match To Leading Transceiver IC's.

Available In Standard & Extended Temperature.

Low Profile Surface Mount Packaging Designed For Hi-Temp Reflow Process (245 °C Peak).

For RoHS Compliance.

ELECTRICAL SPECIFICATIONS @ 25°C - Operating Temperature 0°C to 70°C

Part Number	Turns Ratio	Primary	Open Oct Inductance	Interwinding Capacitance	Leakage Inductance	DCR (Ω max)	
	+/-3%	Pins	OCL(mH min)	Cw/w(pF max)	L/L(uH max)	Pri	Sec
TS1201A	1.25:1	9-7 , 12-10	4 & 4	55 & 55	1.0 & 1.0	1.0	1.0

Note : Isolation Voltage (HiPot) of 1500Vrms

“T” with Extended Temperature(-40°C to +85°C)

NOTE. DIMENSIONS:MM(INCHES)/UNLESS OTHERWISE SPECIFIED ALL TOLERANCES ARE $\pm 0.25(0.010)$.

EKO TECH CO. LTD.

HEAD OFFICE :

5F-1, 128, Xinhu 2nd. Rd.,

Neihu Chiu, Taipei, Taiwan 114

TEL : 886- 2- 2791- 9208

FAX : 886- 2- 2791- 9271

Email : sales@eko.com.tw

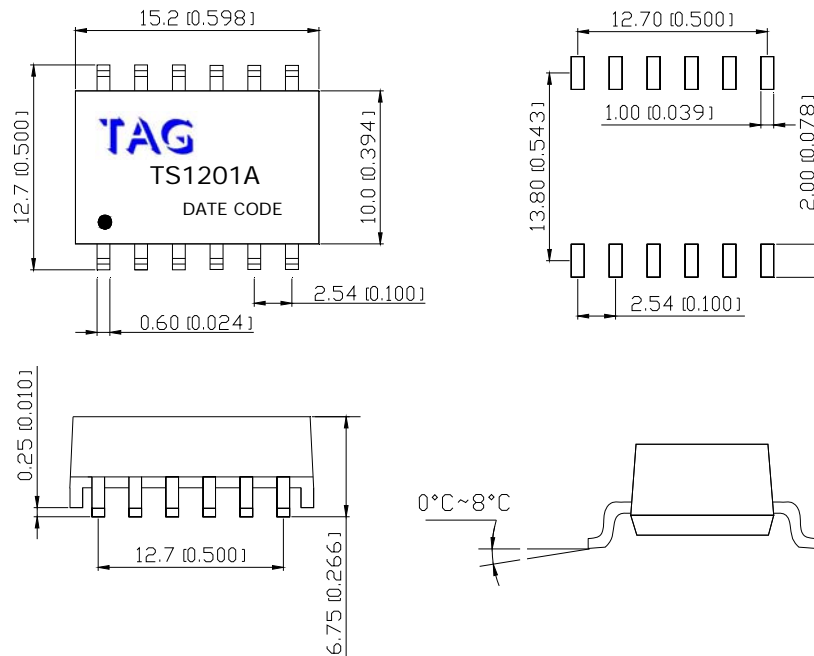
Data subject to change without notice. Please contact Tag for assistance locating product specifications

EKO TECH CO. LTD.

T1/CEPT/ISDN-PRI TRANSFORMER

MECHANICAL SPECIFICATIONS

TS16XXS\TS16XXSX



NOTE. DIMENSIONS:MM(INCHES)/UNLESS OTHERWISE SPECIFIED ALL TOLERANCES ARE $\pm 0.25(0.010)$.

NOTE. DIMENSIONS:MM(INCHES)/UNLESS OTHERWISE SPECIFIED ALL TOLERANCES ARE $\pm 0.25(0.010)$.

EKO TECH CO. LTD.

HEAD OFFICE :

5F-1, 128, Xinhua 2nd. Rd.,

Neihu Chiu, Taipei, Taiwan 114

TEL : 886- 2- 2791- 9208

FAX : 886- 2- 2791- 9271

Email : sales@eko.com.tw

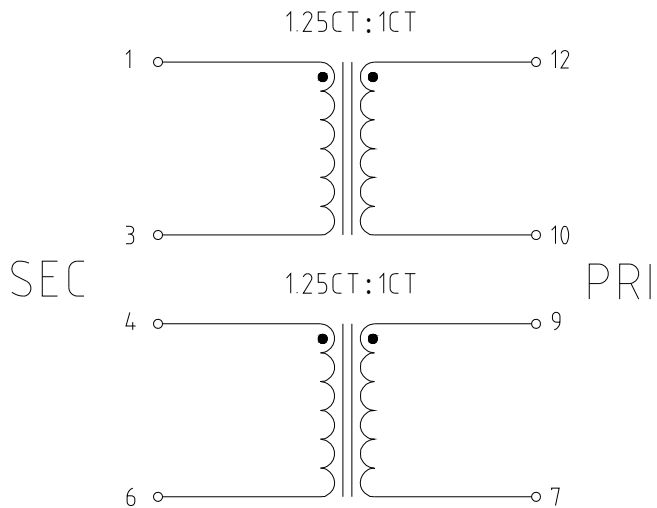
Data subject to change without notice. Please contact Tag for assistance locating product specifications

EKO TECH CO. LTD.

T1/CEPT/ISDN-PRI TRANSFORMER

SCHEMATICS

TS1601S/TS1601SI



EKO TECH CO. LTD.

HEAD OFFICE :

5F-1, 128, Xinhua 2nd. Rd.,

Neihu Chiu, Taipei, Taiwan 114

TEL : 886- 2- 2791- 9208

FAX : 886- 2- 2791- 9271

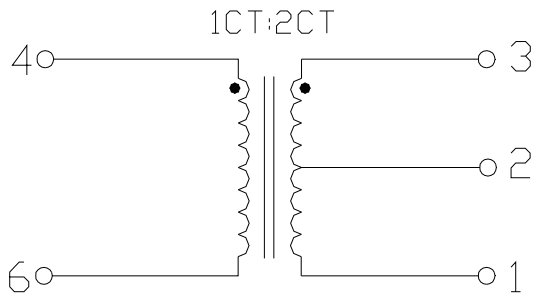
Email : sales@eko.com.tw

EKO TECH CO. LTD.

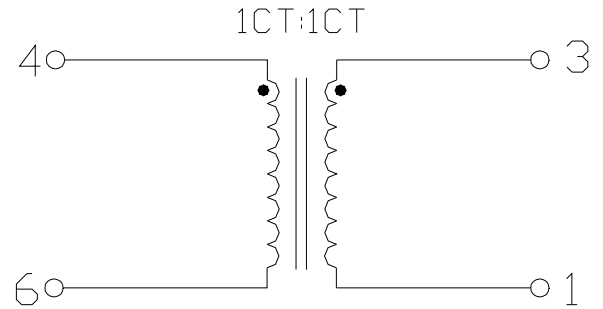
T3/DS3/E3/STS-1 TRANSFORMER

SCHEMATICS

TS0601A



TS0602A



EKO TECH CO. LTD.

HEAD OFFICE :

5F-1, 128, Xinhua 2nd. Rd.,

Neihu Chiu, Taipei, Taiwan 114

TEL : 886- 2- 2791- 9208

FAX : 886- 2- 2791- 9271

Email : sales@eko.com.tw

EKO TECH CO. LTD.

T1/E1/CEPT/ISDN-PRI TRANSFORMER

Models Match To Leading Quad & Dual T1/E1/CEPT/ISDN-Pri Transceiver.

Available In Standard & Extended Temperature Range.

Low Profile Surface Mount Packaging Designed For Hi-Temp Reflow Process (245°C peak).

Quad Port Package With Eight Transformer To Support 4 Transmit & Receive Channel.

For RoHS Compliance.

ELECTRICAL SPECIFICATIONS @ 25°C - Operating Temperature 0°C to 70°C

Part Number	Turns Ratio	Open Oct Inductance	Interwinding Capacitance	Leakage Inductance	DCR (Ω max)	
					Pri	Sec
	+/-3%	OCL(mH min)	Cw/w(pF max)	L/L(uH max)		
TS3201SIR	1CT:1&1CT:2	1.2 & 1.2	30 & 30	0.6 & 0.6	0.8	0.8
TS3202SR	1CT:2&1CT:2	1.2 & 1.2	30 & 30	0.35 & 0.35	1.0	1.0

Note : Isolation Voltage (HiPot) of 1500Vrms

“T” with Extended Temperature(-40°C to +85°C)

NOTE. DIMENSIONS:MM(INCHES)/UNLESS OTHERWISE SPECIFIED ALL TOLERANCES ARE $\pm 0.25(0.010)$.

EKO TECH CO. LTD.

HEAD OFFICE :

5F-1, 128, Xinhu 2nd. Rd.,

Neihu Chiu, Taipei, Taiwan 114

TEL : 886- 2- 2791- 9208

FAX : 886- 2- 2791- 9271

Email : sales@eko.com.tw

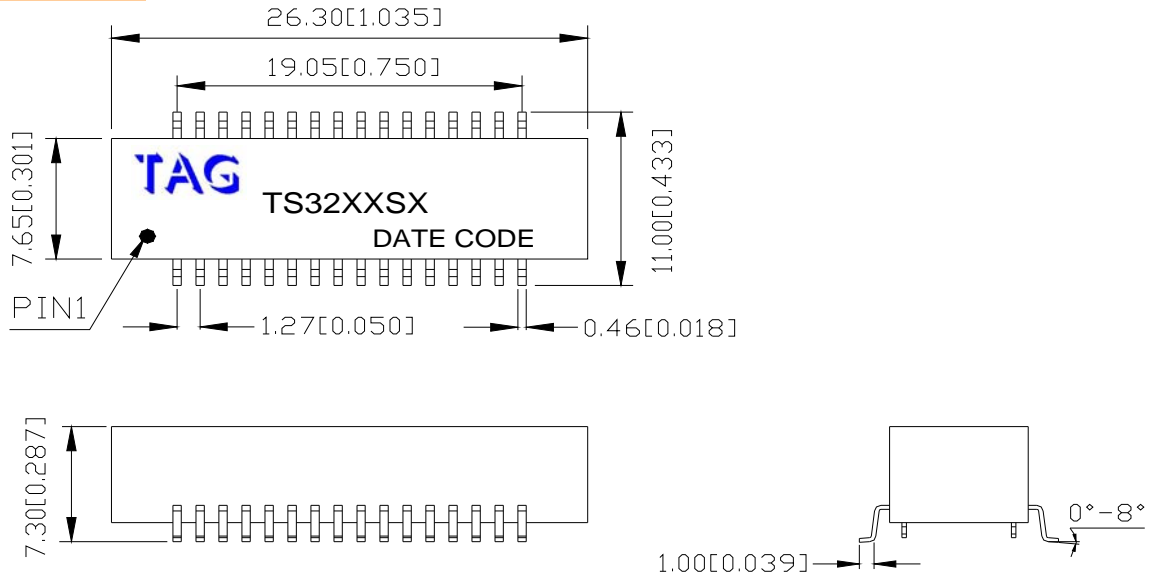
Data subject to change without notice.Please contact Tag for assistance locating product specifications

EKO TECH CO. LTD.

T1/E1/CEPT/ISDN-PRI TRANSFORMER

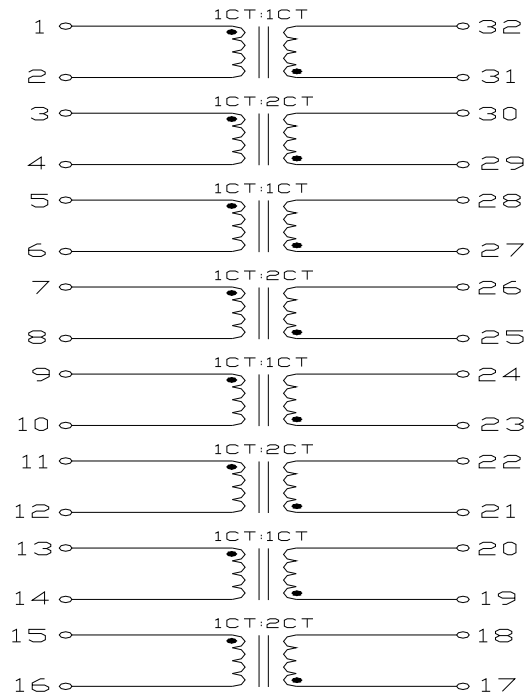
MECHANICAL SPECIFICATIONS

TS32XXSXX\TS32XXSX



SCHEMATICS

TS3201SIR



EKO TECH CO. LTD.

HEAD OFFICE :

5F-1, 128, Xinhua 2nd. Rd.,

Neihu Chiu, Taipei, Taiwan 114

TEL : 886- 2- 2791- 9208

FAX : 886- 2- 2791- 9271

Email : sales@eko.com.tw

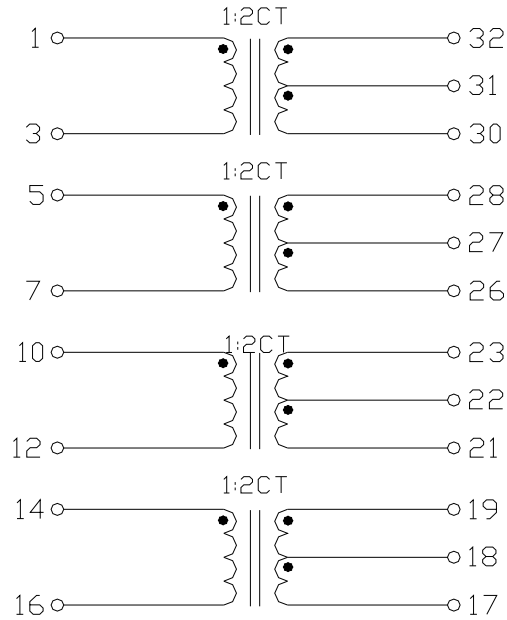
Data subject to change without notice. Please contact Tag for assistance locating product specifications

EKO TECH CO. LTD.

T1/E1/CEPT/ISDN-PRI TRANSFORMER

SCHEMATICS

TS3202SR



EKO TECH CO. LTD.

HEAD OFFICE :

5F-1, 128, Xinhua 2nd. Rd.,

Neihu Chiu, Taipei, Taiwan 114

TEL : 886- 2- 2791- 9208

FAX : 886- 2- 2791- 9271

Email : sales@eko.com.tw

Data subject to change without notice. Please contact Tag for assistance locating product specifications

EKO TECH CO. LTD.

T1/CEPT/ISDN-PRI TRANSFORMER

Models Match To Leading Transceiver IC's.

Available In Standard & Extended Temperature.

Low Profile Surface Mount Packaging Designed For Hi-Temp Reflow Process (245 °C Peak).

For RoHS Compliance.

ELECTRICAL SPECIFICATIONS @ 25°C - Operating Temperature 0°C to 70°C

Part Number	Turns Ratio	Primary	Open Oct Inductance	Interwinding Capacitance	Leakage Inductance	DCR (Ω max)	
						Pri	Sec
	+/-3%	Pins	OCL(mH min)	Cw/w(pF max)	L/L(uH max)		
TS4001SI	1CT:2CT	1-3,40-39	1.2	35	0.5	1-3	0.8
TS4002S	1CT:2CT	1-2,40-38	1.2	35	0.6	1-2	0.8
TS4002SI	1CT:2CT	1-2,40-38	1.2	35	0.6	1-2	0.8
TH4003AI	1CT:2CT	1-2,40-39	1.5	35	0.5	1-2	0.8
TS4003S	1CT:2CT	1-2,40-39	1.5	35	0.5	1-2	0.8
TH4005AI	1CT:2CT 1CT:1CT	1-2,40-39	1.2	35	0.6	1-2	0.8
TS4006SI	1CT:2CT 1CT:1CT	1-2,40-38	1.2	35	0.6	1-2	0.8

Note : Isolation Voltage (HiPot) of 1500Vrms

“I” with Extended Temperature(-40°C to +85°C)

NOTE. DIMENSIONS:MM(INCHES)/UNLESS OTHERWISE SPECIFIED ALL TOLERANCES ARE $\pm 0.25(0.010)$.

EKO TECH CO. LTD.

HEAD OFFICE :

5F-1, 128, Xinhua 2nd. Rd.,

Neihu Chiu, Taipei, Taiwan 114

TEL : 886- 2- 2791- 9208

FAX : 886- 2- 2791- 9271

Email : sales@eko.com.tw

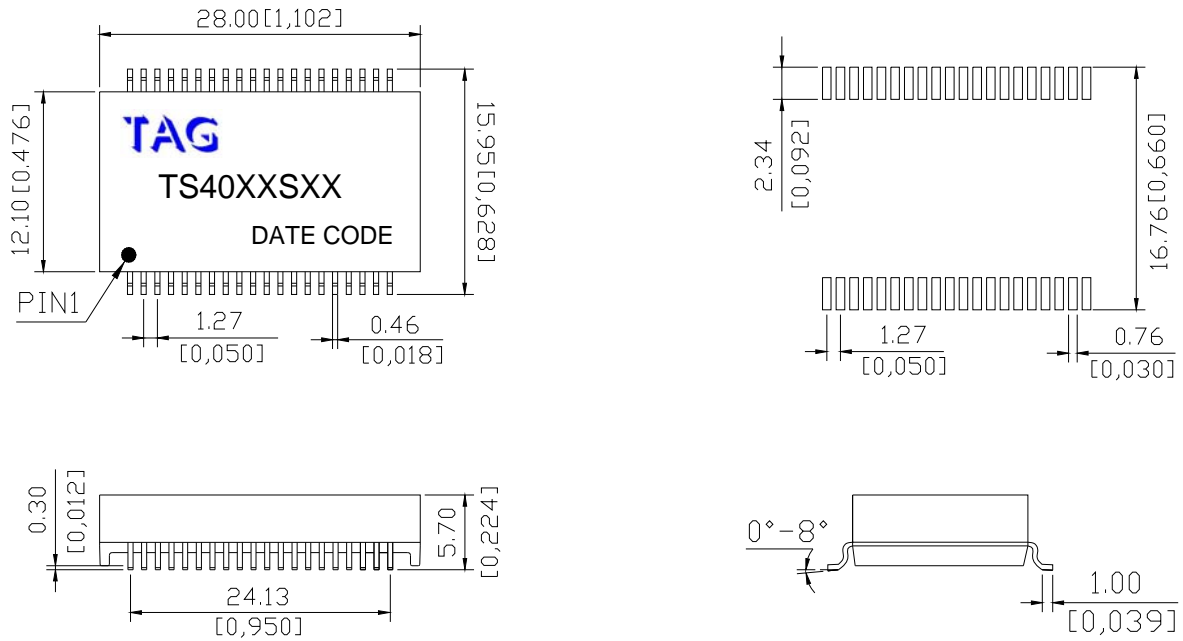
Data subject to change without notice. Please contact Tag for assistance locating product specifications

EKO TECH CO. LTD.

T1/CEPT/ISDN-PRI TRANSFORMER

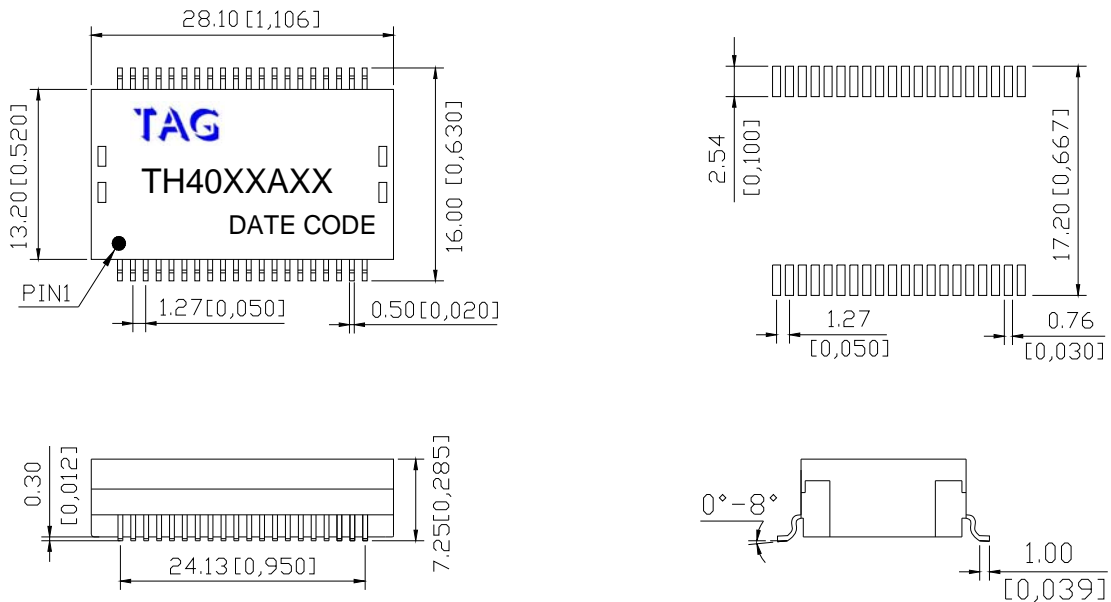
MECHANICAL SPECIFICATIONS

TS40XSXX



NOTE. DIMENSIONS:MM(INCHES)/UNLESS OTHERWISE SPECIFIED ALL TOLERANCES ARE $\pm 0.25(0.010)$.

TH40XXAXX



NOTE. DIMENSIONS:MM(INCHES)/UNLESS OTHERWISE SPECIFIED ALL TOLERANCES ARE $\pm 0.25(0.010)$.

EKO TECH CO. LTD.

HEAD OFFICE :

5F-1, 128, Xinhua 2nd. Rd.,

Neihu Chiu, Taipei, Taiwan 114

TEL : 886- 2- 2791- 9208

FAX : 886- 2- 2791- 9271

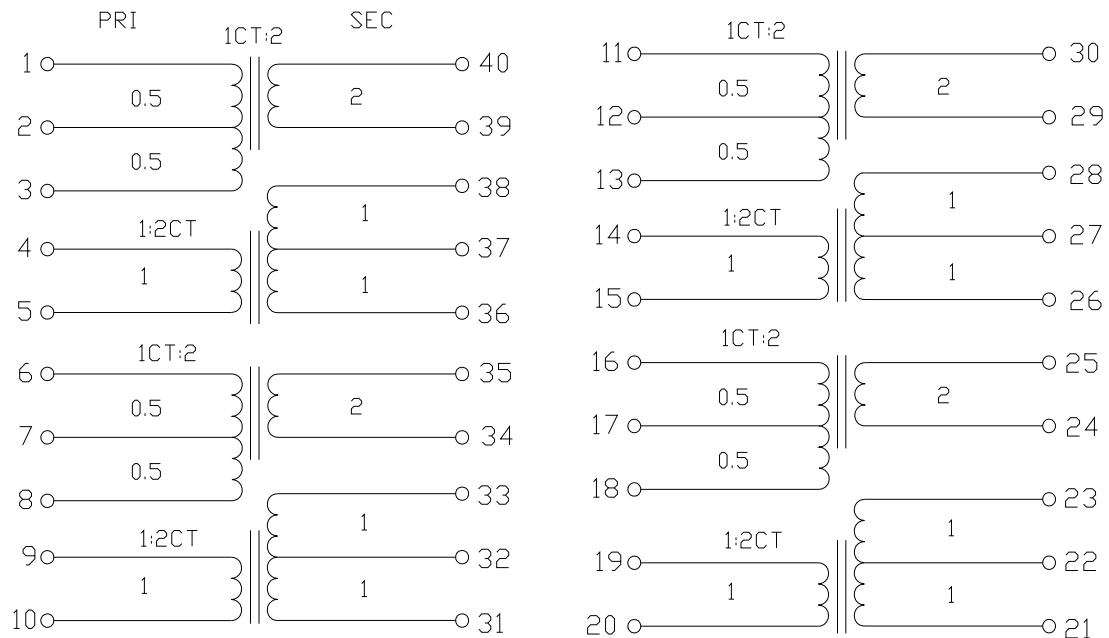
Email : sales@eko.com.tw

EKO TECH CO. LTD.

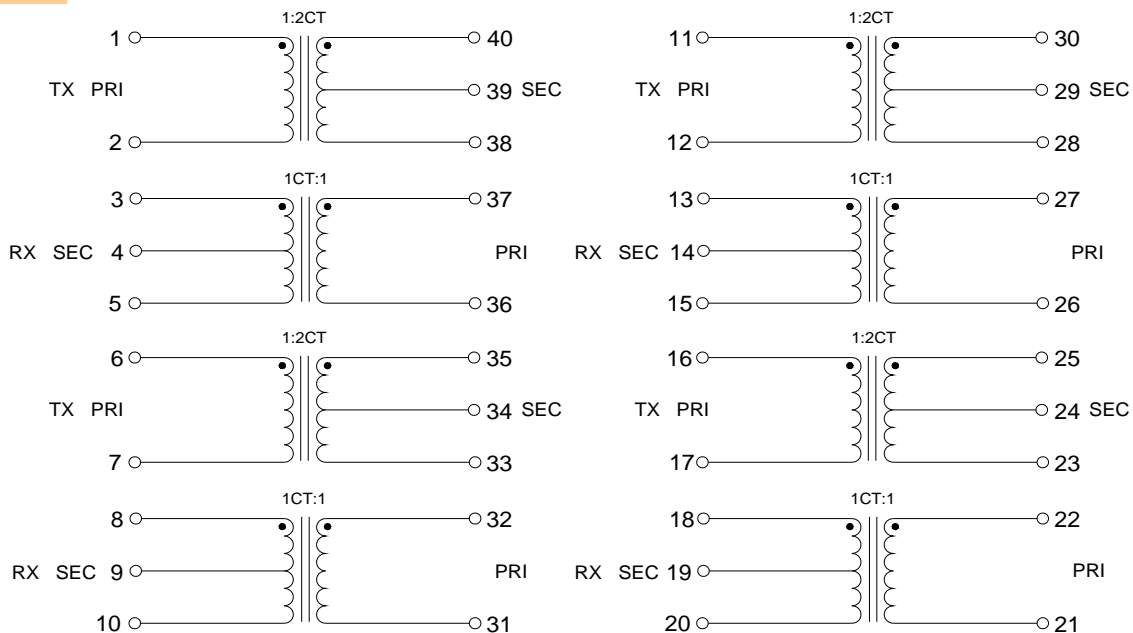
T1/CEPT/ISDN-PRI TRANSFORMER

MECHANICAL SPECIFICATIONS

TS4001XXX



TS4002XXX



EKO TECH CO. LTD.

HEAD OFFICE :

5F-1, 128, Xinhua 2nd. Rd.,

Neihu Chiu, Taipei, Taiwan 114

TEL : 886- 2- 2791- 9208

FAX : 886- 2- 2791- 9271

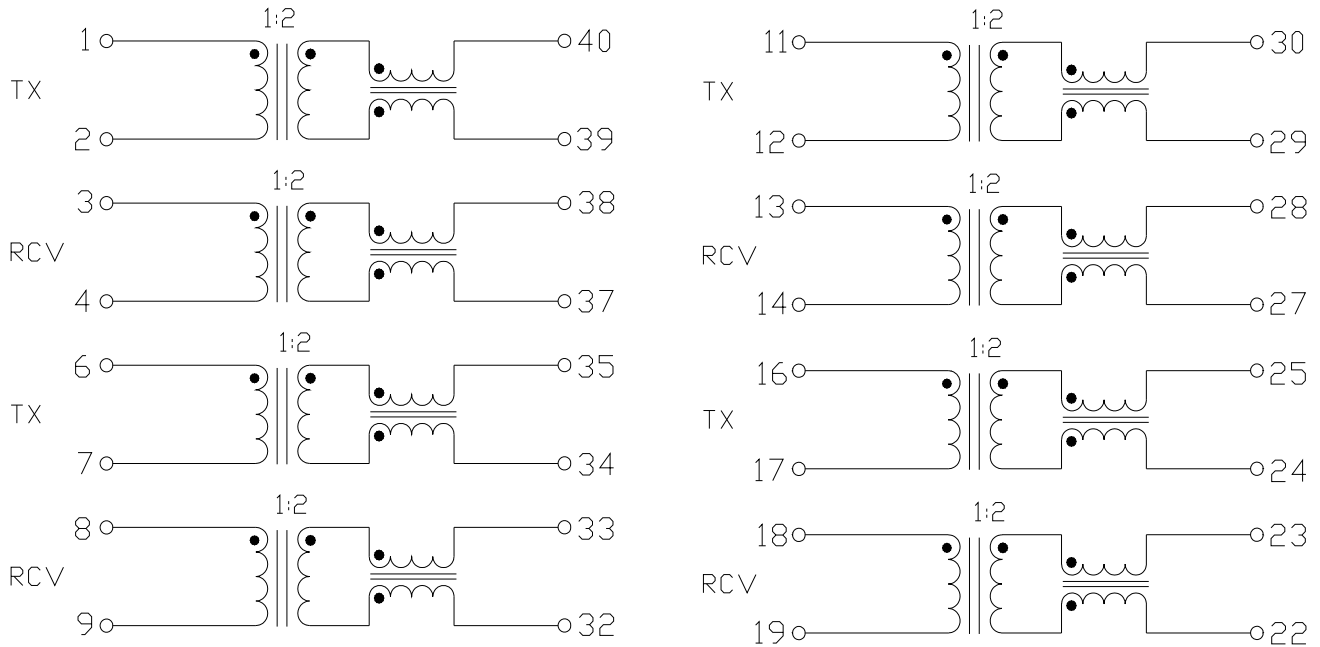
Email : sales@eko.com.tw

EKO TECH CO. LTD.

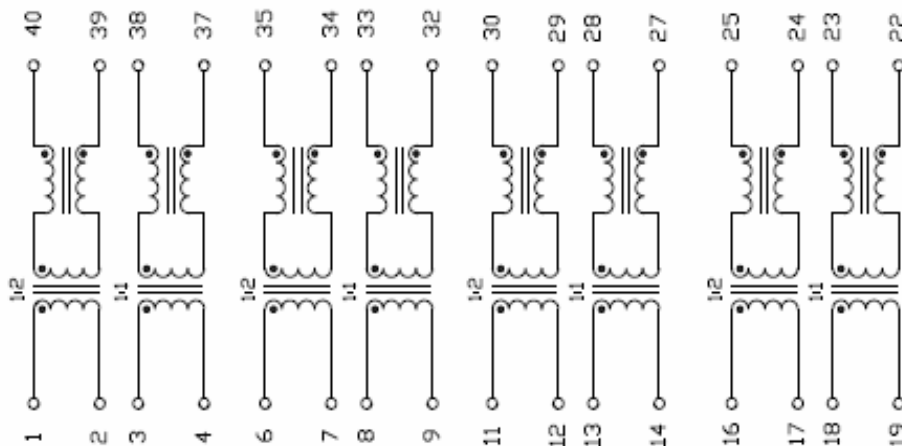
T1/CEPT/ISDN-PRI TRANSFORMER

SCHEMATICS

TH4003XXX/TS4003XXX



TH4005**



EKO TECH CO. LTD.

HEAD OFFICE :

5F-1, 128, Xinhua 2nd. Rd.,

Neihu Chiu, Taipei, Taiwan 114

TEL : 886- 2- 2791- 9208

FAX : 886- 2- 2791- 9271

Email : sales@eko.com.tw

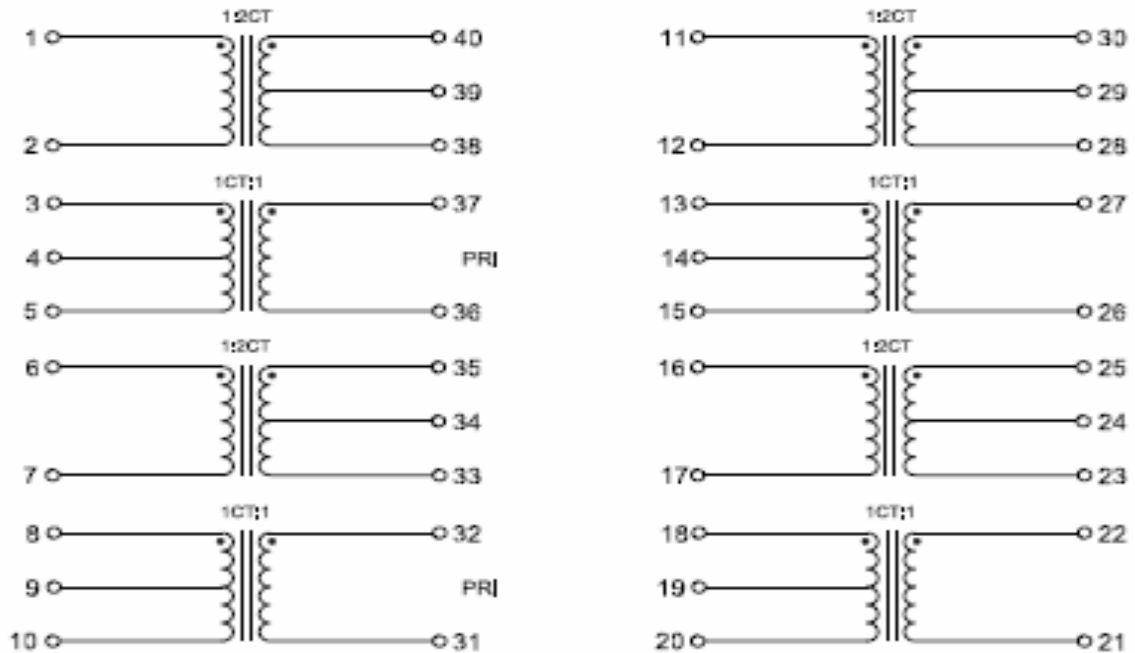
Data subject to change without notice. Please contact Tag for assistance locating product specifications

EKO TECH CO. LTD.

T1/CEPT/ISDN-PRI TRANSFORMER

SCHEMATICS

TS4006SI



EKO TECH CO. LTD.

HEAD OFFICE :

5F-1, 128, Xihu 2nd. Rd.,

Neihu Chiu, Taipei, Taiwan 114

TEL : 886- 2- 2791- 9208

FAX : 886- 2- 2791- 9271

Email : sales@eko.com.tw

Data subject to change without notice. Please contact Tag for assistance locating product specifications

EKO TECH CO. LTD.

T1/E1/CEPT/ISDN-PRI TRANSFORMER

Models Match To Leading Quad & Dual T1/E1/CEPT/ISDN-Pri Transceiver.

Available In Standard & Extended Temperature Range.

Low Profile Surface Mount Packaging Designed For Hi-Temp Reflow Process (245°C peak).

Quad Port Package With Eight Transformer To Support 4 Transmit & Receive Channel.

For RoHS Compliance.

ELECTRICAL SPECIFICATIONS @ 25°C - Operating Temperature 0°C to 70°C

Part Number	Turns Ratio	Open Oct Inductance	Interwinding Capacitance	Leakage Inductance	DCR (Ω max)	
					Pri	Sec
	+/-3%	OCL(mH min)	Cw/w(pF max)	L/L(uH max)		
TS4801A	1CT:1&2CT:1	1.2 & 1.2	35 & 35	0.8 & 0.8	0.8/0.4	1.1

Note : Isolation Voltage (HiPot) of 1500Vrms

NOTE. DIMENSIONS:MM(INCHES)/UNLESS OTHERWISE SPECIFIED ALL TOLERANCES ARE $\pm 0.25(0.010)$.

EKO TECH CO. LTD.

HEAD OFFICE :

5F-1, 128, Xinhu 2nd. Rd.,

Neihu Chiu, Taipei, Taiwan 114

TEL : 886- 2- 2791- 9208

FAX : 886- 2- 2791- 9271

Email : sales@eko.com.tw

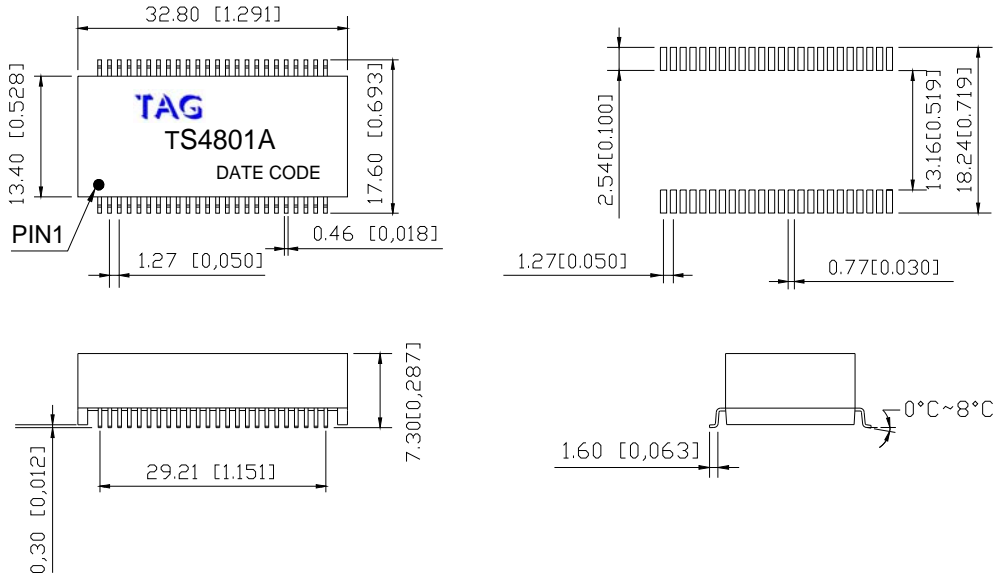
Data subject to change without notice. Please contact Tag for assistance locating product specifications

EKO TECH CO. LTD.

T1/E1/CEPT/ISDN-PRI TRANSFORMER

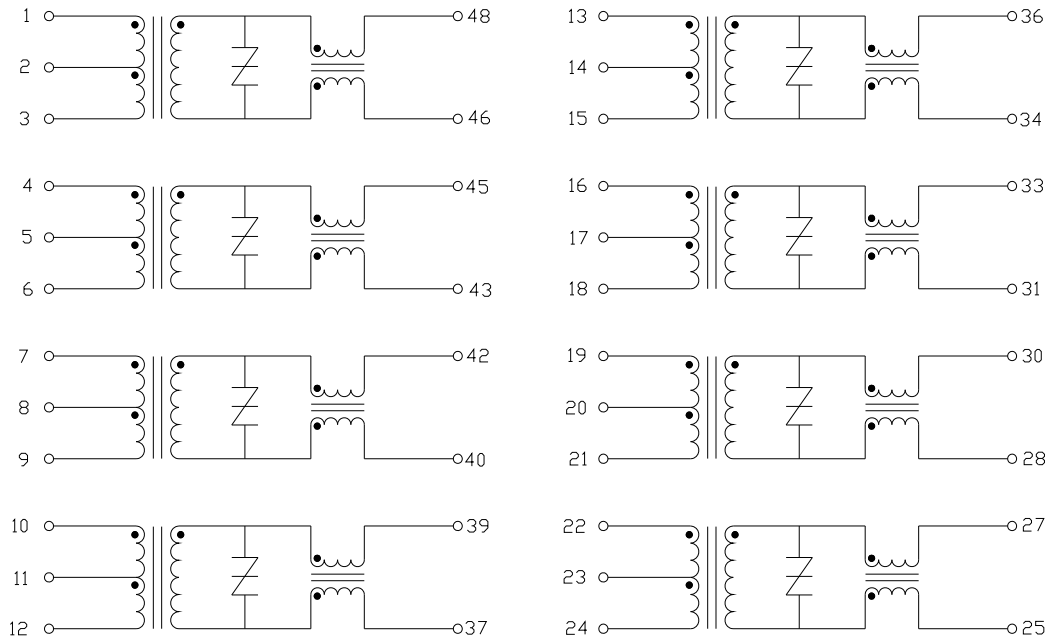
MECHANICAL SPECIFICATIONS

TS48XXA



SCHEMATICS

TS4801X



EKO TECH CO. LTD.

HEAD OFFICE :

5F-1, 128, Xinhu 2nd. Rd.,

Neihu Chiu, Taipei, Taiwan 114

TEL : 886- 2- 2791- 9208

FAX : 886- 2- 2791- 9271

Email : sales@eko.com.tw

Data subject to change without notice. Please contact Tag for assistance locating product specifications

EKO TECH CO. LTD.

T1/CEPT/ISDN-PRI TRANSFORMER

Models Match To Leading Transceiver IC's.

Available In Standard & Extended Temperature.

Low Profile Surface Mount Packaging Designed For Hi-Temp Reflow Process (245 °C Peak).

For RoHS Compliance.

ELECTRICAL SPECIFICATIONS @ 25°C - Operating Temperature 0°C to 70°C

Part Number	Turns Ratio +/-3%	Primary Pins	Open Oct Inductance OCL(mH min)	Interwinding Capacitance Cw/w(pF max)	Leakage Inductance L/L(uH max)	DCR (Ω max)	
						Pri	Sec
TS1601S	1CT:1CT&1CT:1.36CT	1-3 , 6-8	1.2 & 1.2	30 & 30	0.6 & 0.6	0.7	1.0
TS1601SI	1CT:1CT&1CT:1.36CT	1-3 , 6-8	1.2 & 1.2	30 & 30	0.6 & 0.6	0.7	1.0
TS1602S	1CT:2CT&1CT:1CT	1-3 , 6-8	1.5 & 1.5	45 & 45	0.5 & 0.5	1.0	2.0
TS1603SI	1CT:2.4CT&1CT:1CT	1-3 , 6-8	1.0 & 1.0	30 & 30	0.8 & 0.8	0.85	2.0
TS1604S	1CT:1CT&1CT:1CT	1-3 , 6-8	1.2 & 1.2	35 & 35	0.5 & 0.5	0.8	0.8
TS1605E	1:2CT&1:2CT	1-3 , 6-8	1.2 & 1.2	35 & 35	0.8 & 0.8	0.8	0.8
TS1606S	1CT:1CT&1CT:2CT	1-3 , 6-8	1.5 & 1.5	35 & 35	0.5 & 0.5	0.8	0.8
TS1606AI	1CT:1CT&1CT:2CT	1-3 , 6-8	1.2 & 1.2	30 & 30	0.6 & 0.6	0.7	0.7
TS1606SI	1CT:1CT&1CT:2CT	1-3 , 6-8	1.5 & 1.5	35 & 35	0.5 & 0.5	0.8	0.8
TS1606SR	1CT:1CT&1CT:2CT	1-3 , 6-8	1.2 & 1.2	30 & 30	0.6 & 0.6	0.7	0.7
TS1607SI	1:2.42CT&1:2.42CT	1-3 , 6-8	1.5 & 1.5	30 & 30	0.6 & 0.6	0.7	0.7
TS1607FI	1:2.42CT&1:2.42CT	1-3 , 6-8	1.5 & 1.5	35 & 35	0.5 & 0.5	0.8	0.8
TS1608SI	1.15:1CT&1:2CT	1-3 , 6-8	1.2 & 1.2	25 & 25	0.5 & 0.5	0.7	0.7
TS1609J	1:1CT	/	22	100	5	2.4	2.4
TS1610S	1CT:1CT&1CT:1CT	1-3 , 6-8	1.2 & 1.2	35 & 35	0.5 & 0.5	0.8	0.8

Note : Isolation Voltage (HiPot) of 1500Vrms

“**T**” with Extended Temperature(-40°C to +85°C)

NOTE. DIMENSIONS:MM(INCHES)/UNLESS OTHERWISE SPECIFIED ALL TOLERANCES ARE ±0.25(0.010).

EKO TECH CO. LTD.

HEAD OFFICE :

5F-1, 128, Xinhua 2nd. Rd.,

Neihu Chiu, Taipei, Taiwan 114

TEL : 886- 2- 2791- 9208

FAX : 886- 2- 2791- 9271

Email : sales@eko.com.tw

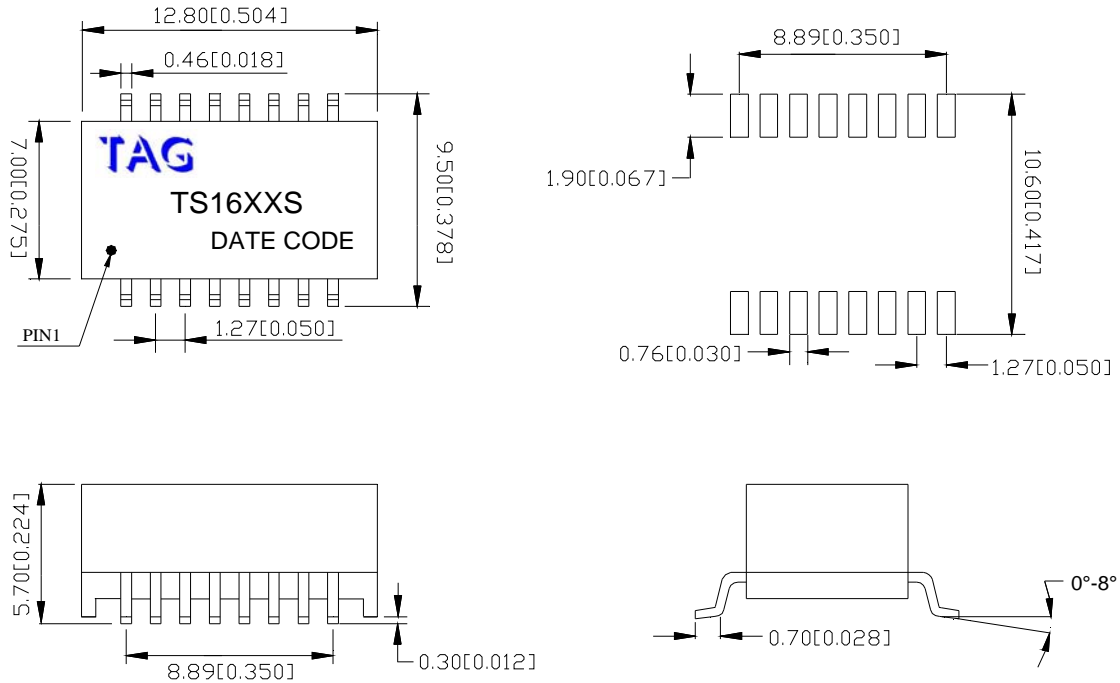
Data subject to change without notice. Please contact Tag for assistance locating product specifications

EKO TECH CO. LTD.

T1/CEPT/ISDN-PRI TRANSFORMER

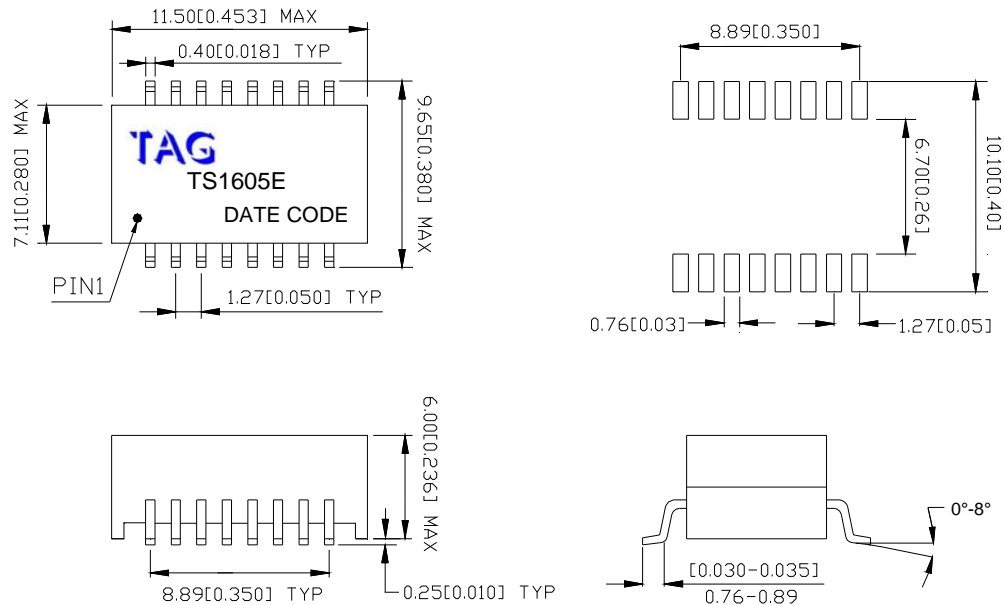
MECHANICAL SPECIFICATIONS

TS16XXS/TS16XXSX



NOTE. DIMENSIONS:MM(INCHES)/UNLESS OTHERWISE SPECIFIED ALL TOLERANCES ARE $\pm 0.25(0.010)$.

TS1605E



NOTE. DIMENSIONS:MM(INCHES)/UNLESS OTHERWISE SPECIFIED ALL TOLERANCES ARE $\pm 0.25(0.010)$.

EKO TECH CO. LTD.

HEAD OFFICE :

5F-1, 128, Xinhua 2nd. Rd.,

Neihu Chiu, Taipei, Taiwan 114

TEL : 886- 2- 2791- 9208

FAX : 886- 2- 2791- 9271

Email : sales@eko.com.tw

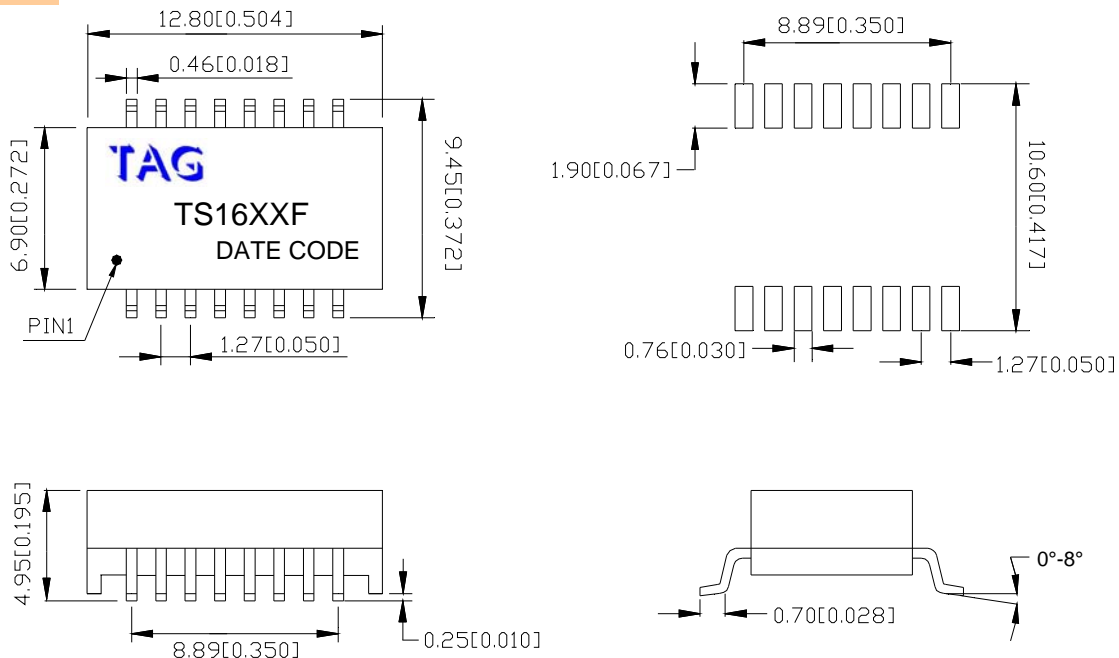
Data subject to change without notice. Please contact Tag for assistance locating product specifications

EKO TECH CO. LTD.

T1/CEPT/ISDN-PRI TRANSFORMER

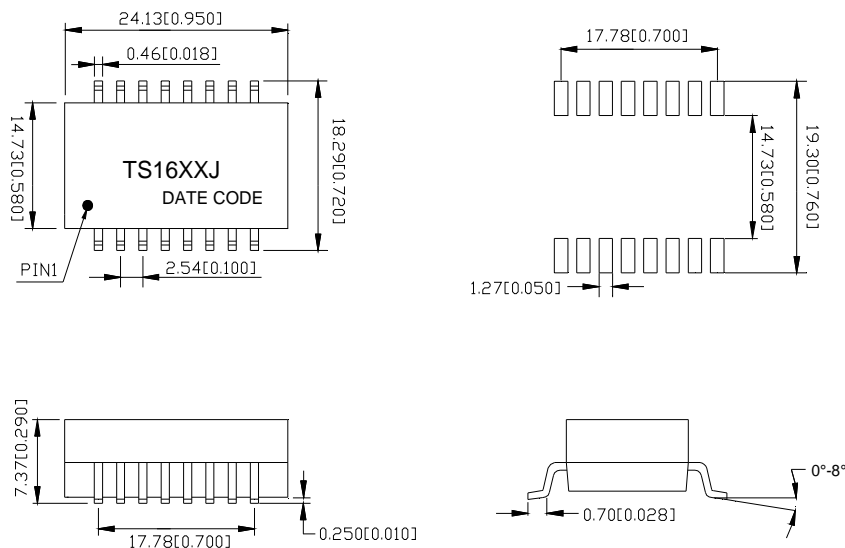
MECHANICAL SPECIFICATIONS

TS16XXFIT/TS16XXFX



NOTE. DIMENSIONS:MM(INCHES)/UNLESS OTHERWISE SPECIFIED ALL TOLERANCES ARE $\pm 0.25(0.010)$.

TS16XXJ



EKO TECH CO. LTD.

HEAD OFFICE :

5F-1, 128, Xinhua 2nd. Rd.,

Neihu Chiu, Taipei, Taiwan 114

TEL : 886- 2- 2791- 9208

FAX : 886- 2- 2791- 9271

Email : sales@eko.com.tw

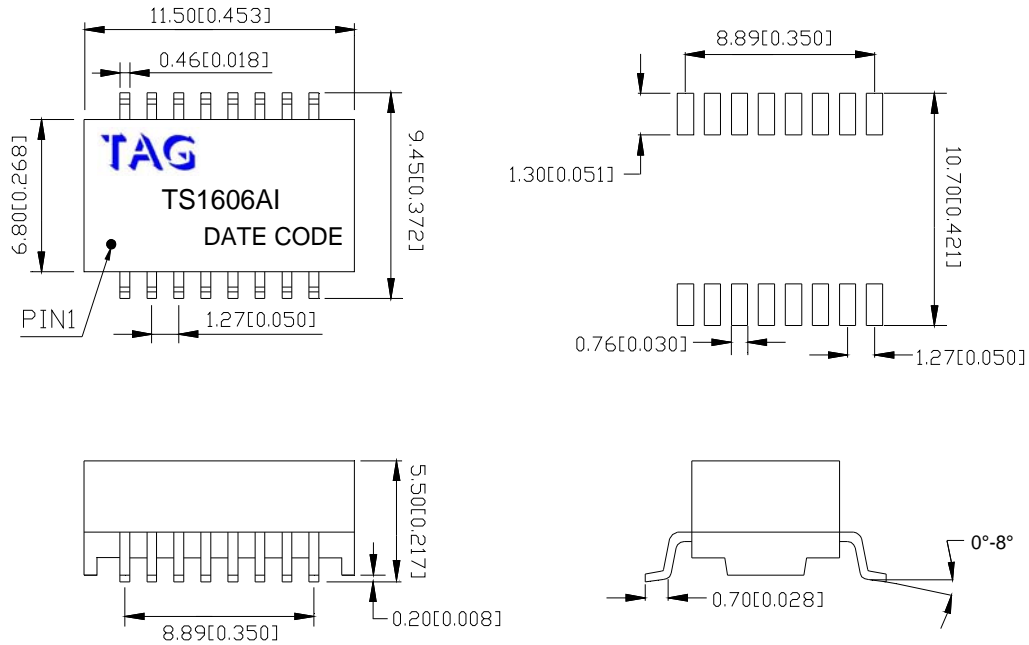
Data subject to change without notice. Please contact Tag for assistance locating product specifications

EKO TECH CO. LTD.

T1/CEPT/ISDN-PRI TRANSFORMER

MECHANICAL SPECIFICATIONS

TS16XXA



NOTE. DIMENSIONS:MM(INCHES)/UNLESS OTHERWISE SPECIFIED ALL TOLERANCES ARE $\pm 0.25(0.010)$.

EKO TECH CO. LTD.

HEAD OFFICE :

5F-1, 128, Xinhua 2nd. Rd.,

Neihu Chiu, Taipei, Taiwan 114

TEL : 886- 2- 2791- 9208

FAX : 886- 2- 2791- 9271

Email : sales@eko.com.tw

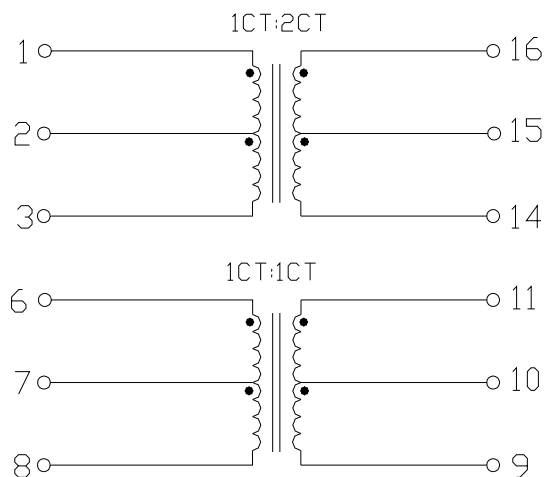
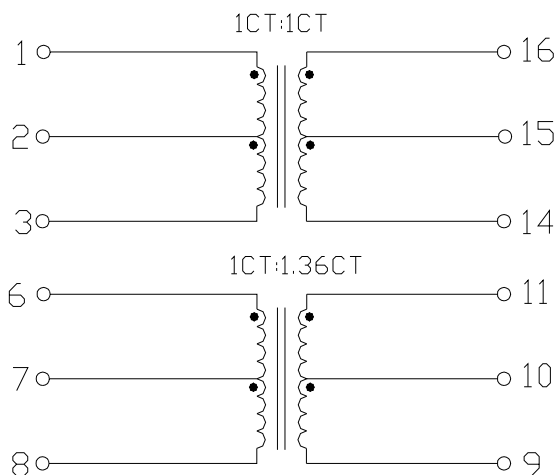
EKO TECH CO. LTD.

T1/CEPT/ISDN-PRI TRANSFORMER

SCHEMATICS

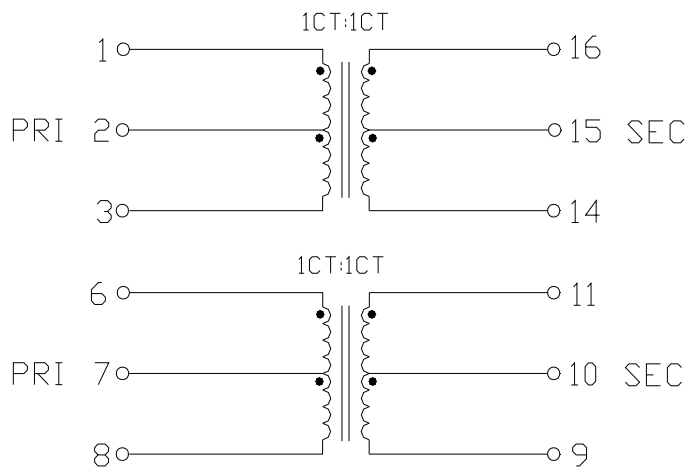
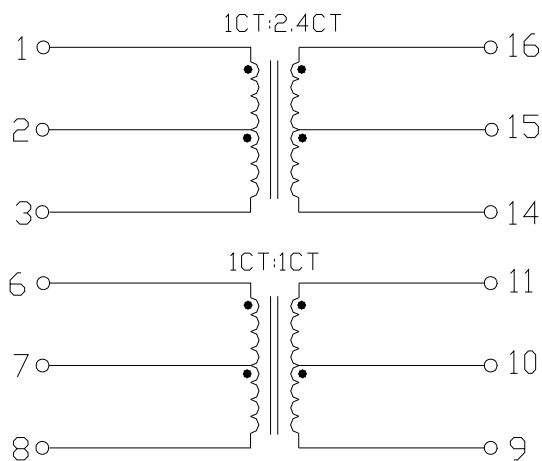
TS1601S/TS1601SI

TS1602S



TS1603SI

TS1604S



EKO TECH CO. LTD.

HEAD OFFICE :

5F-1, 128, Xinhua 2nd. Rd.,

Neihu Chiu, Taipei, Taiwan 114

TEL : 886- 2- 2791- 9208

FAX : 886- 2- 2791- 9271

Email : sales@eko.com.tw

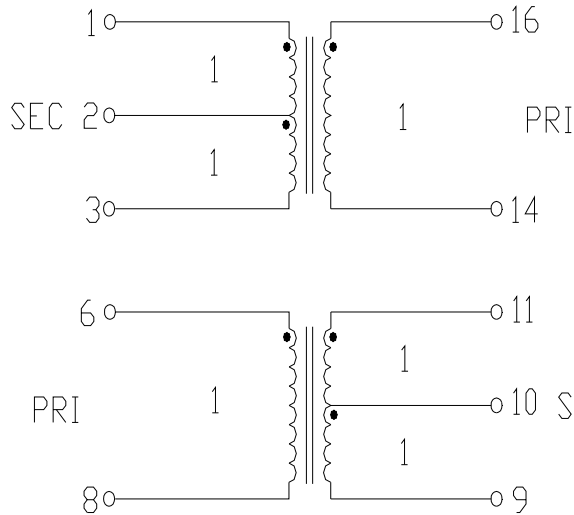
Data subject to change without notice. Please contact Tag for assistance locating product specifications

EKO TECH CO. LTD.

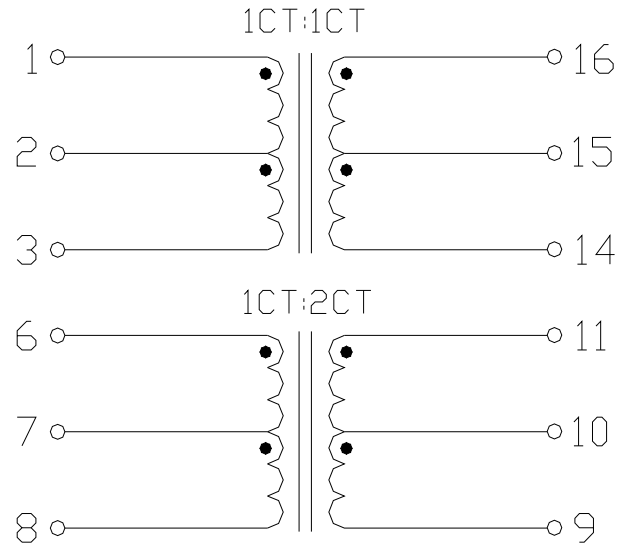
T1/CEPT/ISDN-PRI TRANSFORMER

SCHEMATICS

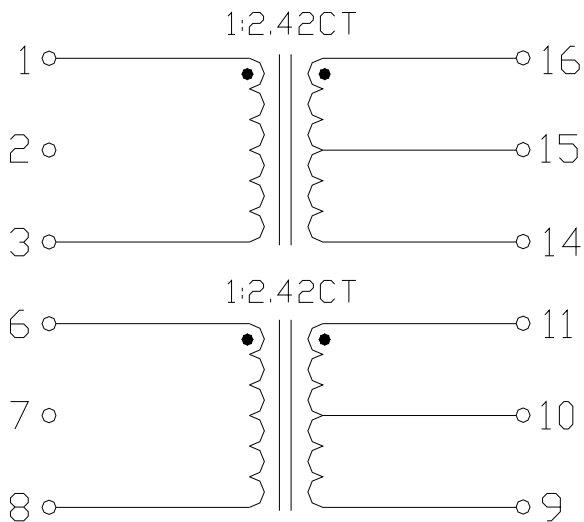
TS1605E



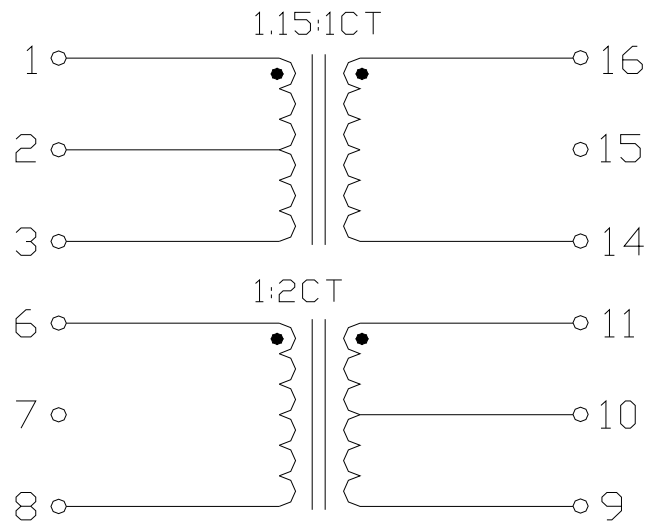
TS1606S\TS1606SI\TS1606SR



TS1607SI/TS1607FI



TS1608SI



EKO TECH CO. LTD.

HEAD OFFICE :

5F-1, 128, Xinhua 2nd. Rd.,

Neihu Chiu, Taipei, Taiwan 114

TEL : 886- 2- 2791- 9208

FAX : 886- 2- 2791- 9271

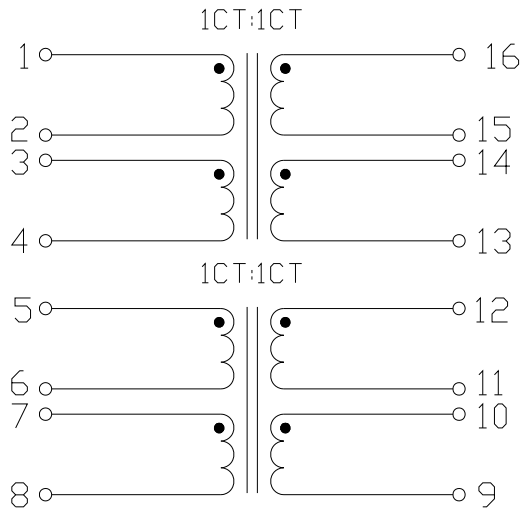
Email : sales@eko.com.tw

EKO TECH CO. LTD.

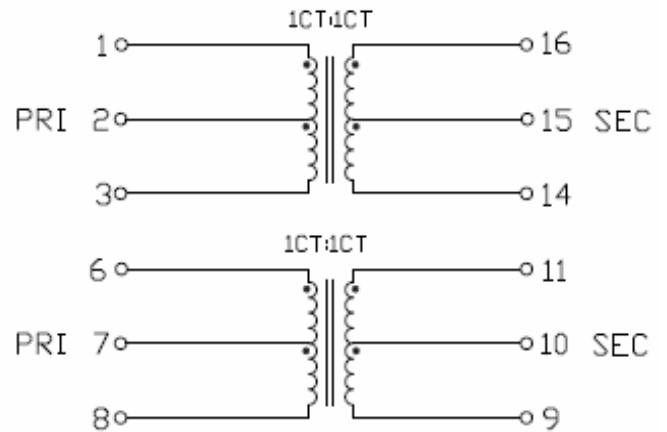
T1/CEPT/ISDN-PRI TRANSFORMER

SCHEMATICS

TS1609X



TS1610X



EKO TECH CO. LTD.

HEAD OFFICE :

5F-1, 128, Xinhua 2nd. Rd.,

Neihu Chiu, Taipei, Taiwan 114

TEL : 886- 2- 2791- 9208

FAX : 886- 2- 2791- 9274

Email : sales@eko.com.tw

Data subject to change without notice. Please contact Tag for assistance locating product specifications

EKO TECH CO. LTD.

T1/E1/CEPT/ISDN-PRI TRANSFORMER

Models Match To Leading Quad & Dual T1/E1/CEPT/ISDN-Pri Transceiver.

Available In Standard & Extended Temperature Range.

Low Profile Surface Mount Packaging Designed For Hi-Temp Reflow Process (245°C peak).

Quad Port Package With Eight Transformer To Support 4 Transmit & Receive Channel.

For RoHS Compliance.

ELECTRICAL SPECIFICATIONS @ 25°C - Operating Temperature 0°C to 70°C

Part Number	Turns Ratio	Open Oct Inductance	Interwinding Capacitance	DCR (Ω max)	
				Pri	Sec
	+/-3%	OCL(mH min)	Cw/w(pF max)		
TS2401SI	1:1CT&1CT:2CT	1.2 & 1.2	35 & 35	0.8	0.8

Note : Isolation Voltage (HiPot) of 1500Vrms

“T” with Extended Temperature(-40°C to +85°C)

EKO TECH CO. LTD.

T1/E1/CEPT/ISDN-PRI TRANSFORMER

NOTE. DIMENSIONS:MM(INCHES)/UNLESS OTHERWISE SPECIFIED ALL TOLERANCES ARE $\pm 0.25(0.010)$.

EKO TECH CO. LTD.

HEAD OFFICE :

5F-1, 128, Xinhua 2nd. Rd.,

Neihu Chiu, Taipei, Taiwan 114

TEL : 886- 2- 2791- 9208

FAX : 886- 2- 2791- 9271

Email : sales@eko.com.tw

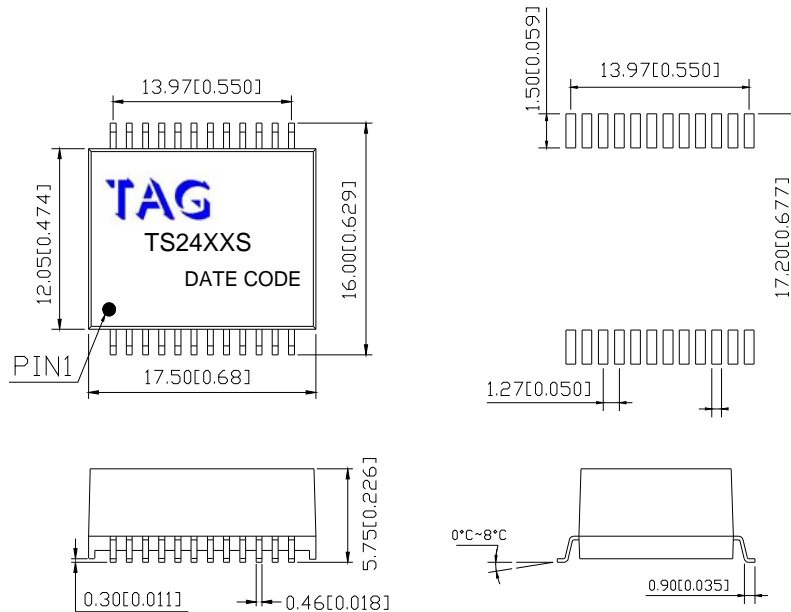
Data subject to change without notice. Please contact Tag for assistance locating product specifications

EKO TECH CO. LTD.

T1/E1/CEPT/ISDN-PRI TRANSFORMER

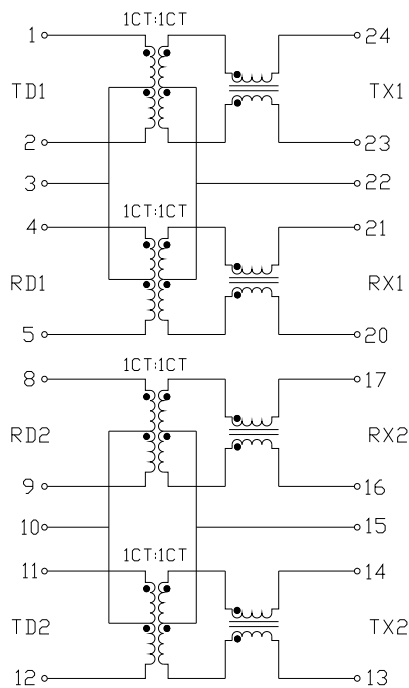
MECHANICAL SPECIFICATIONS

TS24XXS



SCHEMATICS

TS2401X



EKO TECH CO. LTD.

HEAD OFFICE :

5F-1, 128, Xinhua 2nd. Rd.,

Neihu Chiu, Taipei, Taiwan 114

TEL : 886- 2- 2791- 9208

FAX : 886- 2- 2791- 9271

Email : sales@eko.com.tw

EKO TECH CO. LTD.

COMMON MODE CHOKE

Models Match To Leading Transceiver IC's.

Available In Standard & Extended Temperature.

Low Profile Surface Mount Packaging Designed For Hi-Temp Reflow Process (245 °C Peak).

For RoHS Compliance.

ELECTRICAL SPECIFICATIONS @ 25°C - Operating Temperature 0°C to 70°C

Part Number	Primary	Open Oct Inductance	DCR
	Pins	OCL(uH min)	(Ω max)
CS0801A	1-2, 8-7	22.5	0.22
CS0802BI	3-4,1-7	2.7~3.38	0.4/0.44/0.48/0.06/0.07
CS0803CI		64	0.2
CS0804CI		350	0.9
CS0805A		350	1.2

Note : Isolation Voltage (HiPot) of 1500Vrms

“P” With POE(720mA Current Capability)

“I” with Extended Temperature(-40°C to +85°C)

NOTE. DIMENSIONS:MM(INCHES)/UNLESS OTHERWISE SPECIFIED ALL TOLERANCES ARE ±0.25(0.010).

EKO TECH CO. LTD.

HEAD OFFICE :

5F-1, 128, Xihu 2nd. Rd.,

Neihu Chiu, Taipei, Taiwan 114

TEL : 886- 2- 2791- 9208

FAX : 886- 2- 2791- 9271

Email : sales@eko.com.tw

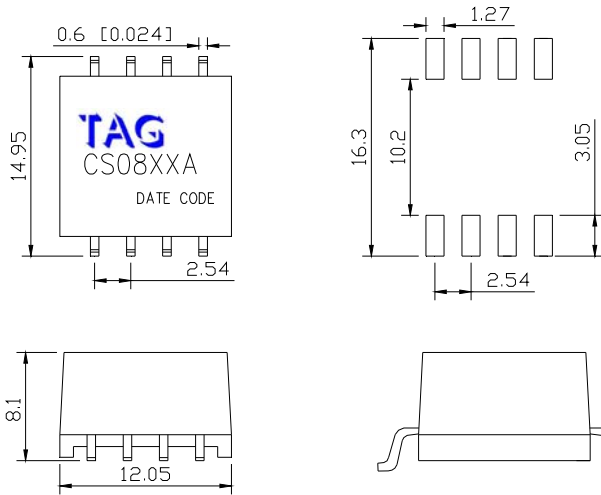
Data subject to change without notice. Please contact Tag for assistance locating product specifications

EKO TECH CO. LTD.

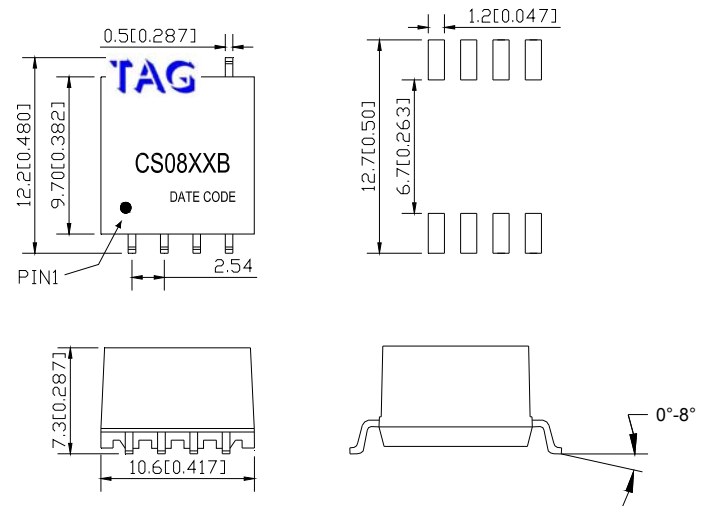
COMMON MODE CHOKE

MECHANICAL SPECIFICATIONS

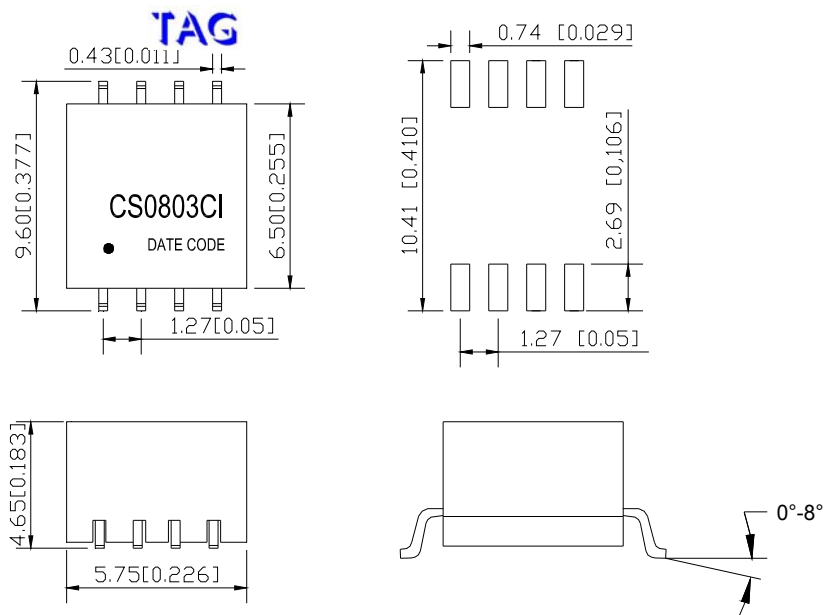
CS08XXA



CS08XXB



CS08XXC



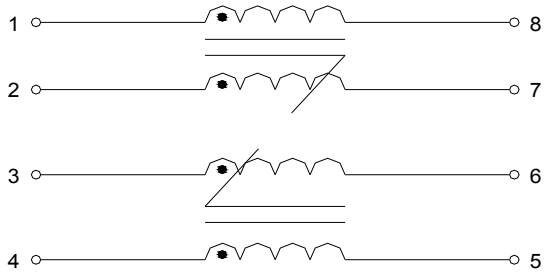
NOTE. DIMENSIONS:MM(INCHES)/UNLESS OTHERWISE SPECIFIED ALL TOLERANCES ARE $\pm 0.25(0.010)$.

EKO TECH CO. LTD.

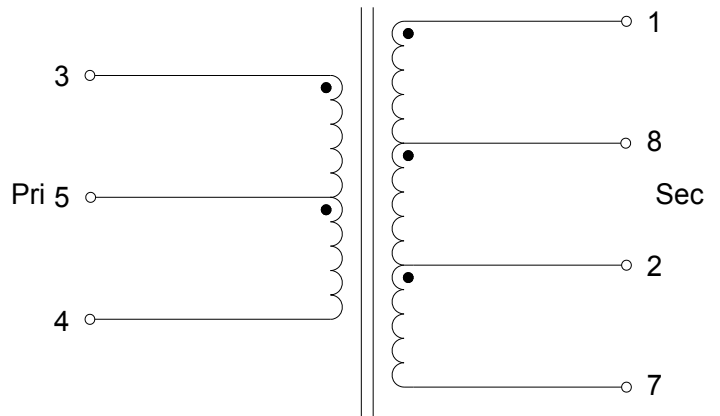
COMMON MODE CHOKE

SCHEMATICS

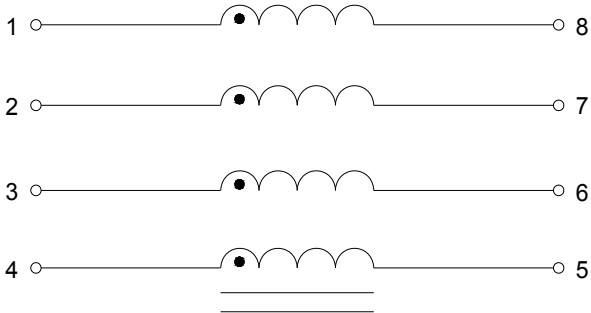
CS0801X



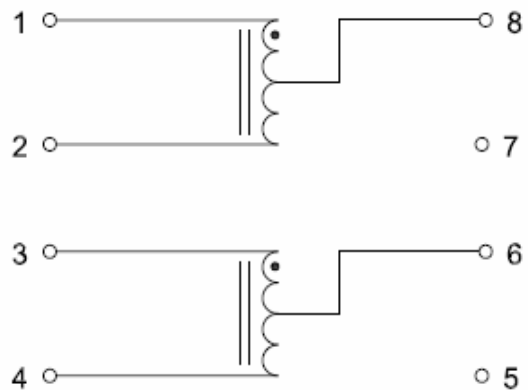
CS0802X



CS0803X



CS0804X



EKO TECH CO. LTD.

HEAD OFFICE :

5F-1, 128, Xinhua 2nd. Rd.,

Neihu Chiu, Taipei, Taiwan 114

TEL : 886- 2- 2791- 9208

FAX : 886- 2- 2791- 9271

Email : sales@eko.com.tw

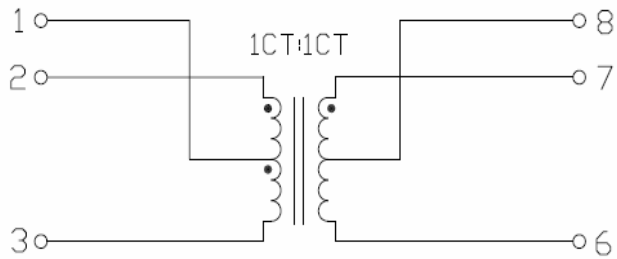
Data subject to change without notice. Please contact Tag for assistance locating product specifications

EKO TECH CO. LTD.

COMMON MODE CHOKE

SCHEMATICS

CS0805X



EKO TECH CO. LTD.

HEAD OFFICE :

5F-1, 128, Xinhu 2nd. Rd.,

Neihu Chiu, Taipei, Taiwan 114

TEL : 886- 2- 2791- 9208

FAX : 886- 2- 2791- 9271

Email : sales@eko.com.tw

Data subject to change without notice. Please contact Tag for assistance locating product specifications

EKO TECH CO. LTD.

10/100 BASE-T TRANSFORMER MODULES

Compliant With IEEE 802.3 standards including Baseline Wander Compensation
specification of 350uH OCL when biased at 8mA from 0°C to 70°C

Low Profile Surface Mount Packaging Designed Reflow Process (245°C peak).

Single Channel Interface For 10/100Mbps Ethernet Applications with CMC's tuned to enhance EMC system performance.

For RoHS Compliance.

ELECTRICAL SPECIFICATIONS @ 25°C - Operating Temperature 0°C to 70°C

Part Number	TR	Open Oct Inductance	DCR
	+/-3%	OCL(uH min)	(Ω max)
CS1601S	1CT:1CT	36	0.35

Note : Isolation Voltage (HiPot) of 1500Vrms

EKO TECH CO. LTD.

HEAD OFFICE :

5F-1, 128, Xinhu 2nd. Rd.,

Neihu Chiu, Taipei, Taiwan 114

TEL : 886- 2- 2791- 9208

FAX : 886- 2- 2791- 9271

Email : sales@eko.com.tw

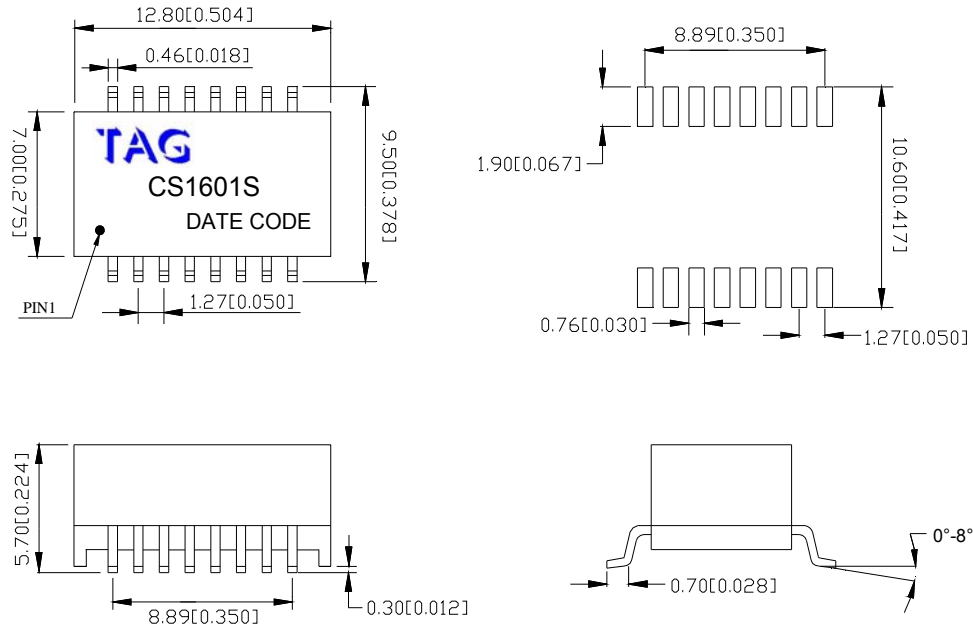
Data subject to change without notice. Please contact Tag for assistance locating product specifications

EKO TECH CO. LTD.

10/100 BASE-T TRANSFORMER MODULES

MECHANICAL SPECIFICATIONS

CS1601S



NOTE. DIMENSIONS:MM(INCHES)/UNLESS OTHERWISE SPECIFIED ALL TOLERANCES ARE $\pm 0.25(0.010)$.

EKO TECH CO. LTD.

HEAD OFFICE :

5F-1, 128, Xinhu 2nd. Rd.,

Neihu Chiu, Taipei, Taiwan 114

TEL : 886- 2- 2791- 9208

FAX : 886- 2- 2791- 9271

Email : sales@eko.com.tw

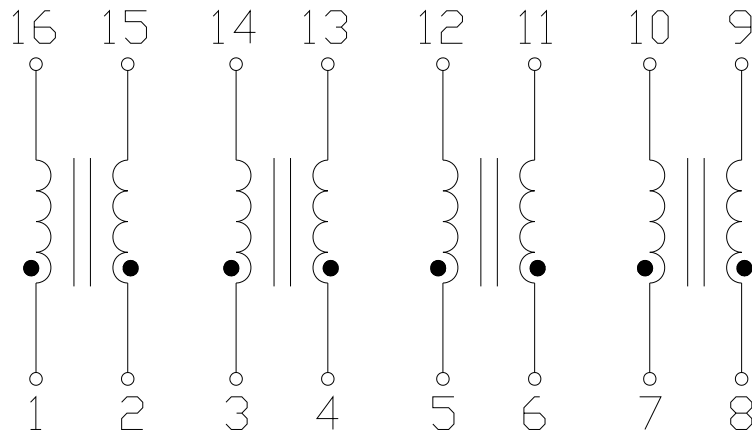
Data subject to change without notice. Please contact Tag for assistance locating product specifications

EKO TECH CO. LTD.

10/100 BASE-T TRANSFORMER MODULES

SCHEMATICS

CS0601S



EKO TECH CO. LTD.

HEAD OFFICE :

5F-1, 128, Xinhua 2nd. Rd.,

Neihu Chiu, Taipei, Taiwan 114

TEL : 886- 2- 2791- 9208

FAX : 886- 2- 2791- 9271

Email : sales@eko.com.tw

Data subject to change without notice. Please contact Tag for assistance locating product specifications

EKO TECH CO. LTD.

10/100 BASE-T TRANSFORMER MODULES

Compliant With IEEE 802.3 standards including Baseline Wander Compensation
specification of 350uH OCL when biased at 8mA from 0°C to 70°C

Low Profile Surface Mount Packaging Designed Reflow Process (245°C peak).

Single Channel Interface For 10/100Mbps Ethernet Applications with CMC's tuned to enhance EMC system performance.

For RoHS Compliance.

ELECTRICAL SPECIFICATIONS @ 25°C - Operating Temperature 0°C to 70°C

Part Number	Insertion Loss (dB max)		Return Loss (dB min)				Crosstalk (dB min)			CMRR (dB min)		
	1-100MHz	1-30MHz	40MHz	50MHz	60MHz	80MHz	1-30MHz	60MHz	100MHz	1-30MHz	60MHz	80-100MHz
MS1201SPP	-1.1	-18	-16	-14.1	-12.5	-10	-35.8	-30.8	-28	-40	-35	-30
MS1201AP	-1.1	-18	-16	-14.1	-12.5	-10	-35.8	-30.8	-28	-40	-35	-30
MS1202AP	-1.1	-16	-16	-14.1	-12.5	-10	-40	-33	-33	-40	-35	-28

Note : Isolation Voltage (HiPot) of 1500Vrms

“P” With PoE(720mA Current Capability)

EKO TECH CO. LTD.

HEAD OFFICE :

5F-1, 128, Xinhu 2nd. Rd.,

Neihu Chiu, Taipei, Taiwan 114

TEL : 886- 2- 2791- 9208

FAX : 886- 2- 2791- 9271

Email : sales@eko.com.tw

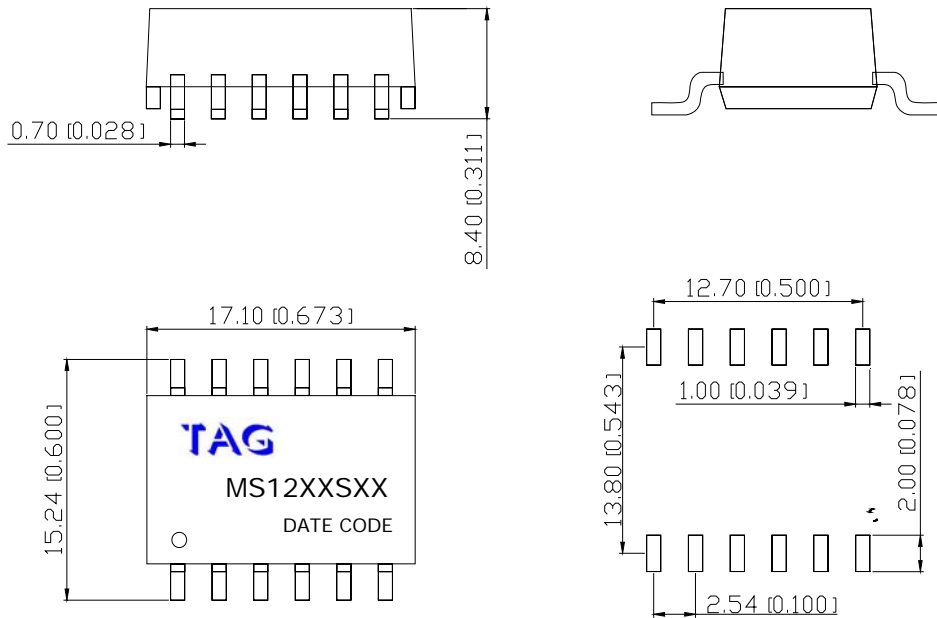
Data subject to change without notice. Please contact Tag for assistance locating product specifications

EKO TECH CO. LTD.

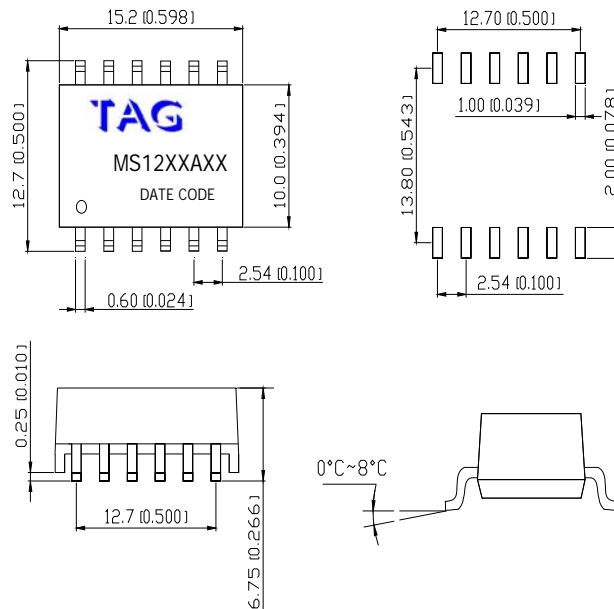
10/100 BASE-T TRANSFORMER MODULES

MECHANICAL SPECIFICATIONS

MS12XXSXX



MS12XXAXX



NOTE. DIMENSIONS:MM(INCHES)/UNLESS OTHERWISE SPECIFIED ALL TOLERANCES ARE $\pm 0.25(0.010)$.

EKO TECH CO. LTD.

HEAD OFFICE :

TEL : 886- 2- 2791- 9208

5F-1, 128, Xinhu 2nd. Rd.,

FAX : 886- 2- 2791- 9271

Neihu Chiu, Taipei, Taiwan 114

Email : sales@eko.com.tw

Data subject to change without notice. Please contact Tag for assistance locating product specifications

EKO TECH CO. LTD.

10/100 BASE-T TRANSFORMER MODULES

Compliant With IEEE 802.3 standards including Baseline Wander Compensation specification of 350uH OCL when biased at 8mA from 0°C to 70°C

Low Profile Surface Mount Packaging Designed Reflow Process (245°C peak).

Single Channel Interface For 10/100Mbps Ethernet Applications with CMC's tuned to enhance EMC system performance.

For RoHS Compliance.

ELECTRICAL SPECIFICATIONS @ 25°C - Operating Temperature 0°C to 70°C

Part Number	Insertion Loss (dB max)			Return Loss (dB min)			Crosstalk (dB min)			CMRR (dB min)		
	1-100MHz	1-30MHz	40MHz	50MHz	60MHz	80MHz	1-30MHz	60MHz	100MHz	1-30MHz	60MHz	80-100MHz
MS1601S	-1.1	-16	-16	-14.1	-12.5	-10	-35.8	-30.8	-28	-40	-35	-30
MS1601SI	-1.1	-18	-16	-14.1	-12.5	-10	-35.8	-30.8	-28	-40	-35	-30
MS1601SIP	-1.1	-18	-16	-14.5	-12	-12	-42	-35	-35	-40	-35	-30
MS1601SP	-1.1	-18	-16	-14.5	-12	-12	-42	-35	-35	-40	-35	-30
MS1601A	-1.1	-18	-16	-14.5	-12	-12	-38	-38	-38	\	\	\
MS1601AI	-1.1	-18	-16	-14.5	-12	-12	-38	-38	-38	\	\	\
MS1601AIP	-1.1	-18	-16	-14.5	-12	-12	-38	-38	-38	\	\	\
MS1601AP	-1.1	-18	-16	-14.5	-12	-12	-38	-38	-38	\	\	\
MS1601B	-1.1	-18	-15.5	-13.5	-10	-10	-38	-38	-38	\	\	\
MS1601D	-1.1	-20	-14	-14	-14	-11.5	-45	-40	-35	\	\	\
MS1601F	-1.1	-16	-16	-14.1	-12.5	-10	-35.8	-30.8	-28	-40	-35	-30
MS1601FI	-1.1	-16	-16	-14.1	-12.5	-10	-35.8	-30.8	-28	-40	-35	-30
MS1601FIP	-1.1	-16	-16	-14.1	-12.5	-10	-35.8	-30.8	-28	-40	-35	-30
MS1601I	-1.0	-16	-16	-12	-12	-11	-50	-45	-40	-35	-33	-20
MS1602F	-1.1	-16	-16	-14.1	-12.5	-10	-35.8	-30.8	-28	-40	-35	-30
MS1602S	-1.1	-18	-13.6	-13.6	-12	-12	-42	-35	-35	-40	-35	-30
MS1602SI	-1.1	-18	-16	-14.5	-12	-12	-42	-35	-35	-45	-40	-35
MS1602A	-1.1	-18	-14	-13	-12	-12	-45	-35	-35	-40	-35	-30
MS1603D	-1.1	-18	-14	-13	-12	-12	-45	-35	-35	-40	-35	-30
MS1603B	-1.1	-18	-14	-13	-12	-12	-45	-35	-35	-40	-35	-30
MS1604S	-1.1	-18	-14	-13	-12	-12	-35.8	-30.8	-28	-40	-35	-30
MS1604B	-1.0	-18	-15	-13	-12	-10	-42	-35	-35	-42	-35	-33
MS1604D	-1.0	-18	-15	-13	-12	-10	-42	-35	-35	-42	-35	-33
MS1605B	-1.1	-16	-16	-14.1	-12.5	-10	-45	-35	-35	-40	-35	-30
MS1605F	-1.1	-18	-14	-13	-12	-12	-45	-35	-35	-40	-35	-30
MS1605S	-1.1	-16	-16	-14.1	-12.5	-10	-35.8	-30.8	-28	-40	-35	-30

Note : Isolation Voltage (HiPot) of 1500Vrms

“I” with Extended Temperature(-40°C to +85°C)

“P” With POE(720mA Current Capability)

EKO TECH CO. LTD.

HEAD OFFICE :

TEL : 886- 2- 2791- 9208

5F-1, 128, Xinhu 2nd. Rd.,

FAX : 886- 2- 2791- 9271

Neihu Chiu, Taipei, Taiwan 114

Email : sales@eko.com.tw

Data subject to change without notice. Please contact Tag for assistance locating product specifications

EKO TECH CO. LTD.

10/100 BASE-T TRANSFORMER MODULES

Compliant With IEEE 802.3 standards including Baseline Wander Compensation
specification of 350uH OCL when biased at 8mA from 0°C to 70°C

Low Profile Surface Mount Packaging Designed Reflow Process (245°C peak).

Single Channel Interface For 10/100Mbps Ethernet Applications with CMC's tuned to enhance EMC system performance.

For RoHS Compliance.

ELECTRICAL SPECIFICATIONS @ 25°C - Operating Temperature 0°C to 70°C

Part Number	Insertion Loss (dB max)		Return Loss (dB min)				Crosstalk (dB min)			CMRR (dB min)		
	1-100MHz	1-30MHz	40MHz	50MHz	60MHz	80MHz	1-30MHz	60MHz	100MHz	1-30MHz	60MHz	80-100MHz
MS1606S	-1.1	-16	-16	-14.1	-12.5	-10	-35.8	-30.8	-28	-40	-35	-30
MS1606A	-1.1	-18	-16	-14.5	-12	-12	-42	-35	-35	-40	-35	-30
MS1607S	-1.1	-16	-16	-14.1	-12.5	-10	-35.8	-30.8	-28	-40	-35	-30
MS1607SI	-1.1	-16	-16	-14.1	-12.5	-10	-35.8	-30.8	-28	-40	-35	-30
MS1607A	-1.1	-18	-16	-14.5	-12	-12	-42	-42	-35	-40	-35	-30
MS1607F	-1.1	-18	-16	-14.5	-12	-42	-35	-35	-35	-40	-35	-30
MS1607B	-1.0	-18	-16	-16	-16	-12	-42	-42	-35	-45	-40	-35
MS1607BIP	-1.0	-18	-16	-16	-16	-12	-42	-42	-35	-45	-40	-35
MS1608C	-1.1	-18	-16	-14.5	-12	-12	-42	-35	-35	-40	-35	-30
MS1608SI	-1.1	-16	-16	-14.1	-12.5	-10	-35.8	-30.8	-28	-40	-35	-30
MS1609S	-1.1	-16	-16	-14.1	-12.5	-10	-35.8	-30.8	-28	-43	-37	-33
MS1609SP	-1.2	-16	-14	-13	-12	-12	-45	-40	-35	-43	-37	-33
MS1609D	-1.1	-16	-16	-14.1	-12.5	-10	-35.8	-30.8	-28	-43	-37	-33
MS1610S	-1.1	-18	-16	-14.1	-12.5	-10	-40	-35	-30	-40	-35	-30
MS1611D	-1.0	-18	-18	-14	-12	-12	-50	-45	-40	-40	-35	-30
MS1612S	-1.1	-18	-16	-14.5	-12	-12	-42	-42	-35	-40	-35	-30
MS1613B	-1.1	-18	-16	-14.5	-12	-12	-42	-42	-35	-40	-35	-30
MS1614S	\	\	\	\	\	\	\	\	\	\	\	\
MS1614SI	\	\	\	\	\	\	\	\	\	\	\	\
MS1615AI	-1.1	-18	-16	-14.5	-12	-12	-42	-42	-35	-40	-35	-30
MS1615BI	-1.1	-18	-16	-14.5	-12	-12	-42	-42	-38	-40	-35	-30
MS1616G	-1.1	-18	-16	-14.5	-12	-12	-42	-42	-38	-40	-35	-30

Note : Isolation Voltage (HiPot) of 1500Vrms

“T” with Extended Temperature(-40°C to +85°C)

“P” With POE(720mA Current Capability)

EKO TECH CO. LTD.

HEAD OFFICE :

5F-1, 128, Xinhu 2nd. Rd.,

Neihu Chiu, Taipei, Taiwan 114

TEL : 886- 2- 2791- 9208

FAX : 886- 2- 2791- 9271

Email : sales@eko.com.tw

EKO TECH CO. LTD.

10/100 BASE-T TRANSFORMER MODULES

Compliant With IEEE 802.3 standards including Baseline Wander Compensation
specification of 350uH OCL when biased at 8mA from 0°C to 70°C

Low Profile Surface Mount Packaging Designed Reflow Process (245°C peak).

Single Channel Interface For 10/100Mbps Ethernet Applications with CMC's tuned to enhance EMC system performance.

For RoHS Compliance.

ELECTRICAL SPECIFICATIONS @ 25°C - Operating Temperature 0°C to 70°C

Part Number	Insertion Loss (dB max)		Return Loss (dB min)				Crosstalk (dB min)			CMRR (dB min)		
	1-100MHz	1-30MHz	40MHz	50MHz	60MHz	80MHz	1-30MHz	60MHz	100MHz	1-30MHz	60MHz	80-100MHz
MS1617D	-1.0	-16	-16	-16	-14	-12	-45	-40	-35	-40	-35	-30
MS1617DI	-1.0	-16	-16	-16	-14	-12	-45	-40	-35	-40	-35	-30
MS1618H	-1.1	-18	-15	-13.6	-12	-12	-42	-42	-35	-40	-35	-30
MS1619S	-1.1	-16	-16	-14.1	-12.5	-10	-35.8	-30.8	-28	-40	-35	-30
MS1620D	-1.1	-20	-14	-14	-14	-11.5	-45	-40	-35	-42	-37	-33
MS1620DI	-1.1	-20	-14	-14	-14	-11.5	-45	-40	-35	-42	-37	-33
MS1620DIP	-1.1	-20	-14	-14	-14	-11.5	-45	-40	-35	-42	-37	-33
MS1620DP	-1.1	-20	-14	-14	-14	-11.5	-45	-40	-35	-42	-37	-33
MS1621SI	-1.1	-16	-14	-14	-12.5	-10	-35.8	-30.8	-28	-40	-35	-30
MS1622B	-1.1	-18	-15.5	-13.5	-13.5	-10	-38	-38	-38	-33	-26	-26
MS1623SIP	-1.1	-18	-16	-14.5	-12	-12	-42	-35	-30	-40	-35	-30
MS1624SI	-1.1	-16	-16	-14.1	-12.5	-10	-35.8	-35	-28	-40	-35	-30
MS1625SIP	-1.1	-16	-16	-14.1	-12.5	-10	-35.8	-35	-28	-40	-35	-30

Note : Isolation Voltage (HiPot) of 1500Vrms

“T” with Extended Temperature(-40°C to +85°C)

“P” With POE(720mA Current Capability)

EKO TECH CO. LTD.

HEAD OFFICE :

5F-1, 128, Xinhu 2nd. Rd.,

Neihu Chiu, Taipei, Taiwan 114

TEL : 886- 2- 2791- 9208

FAX : 886- 2- 2791- 9271

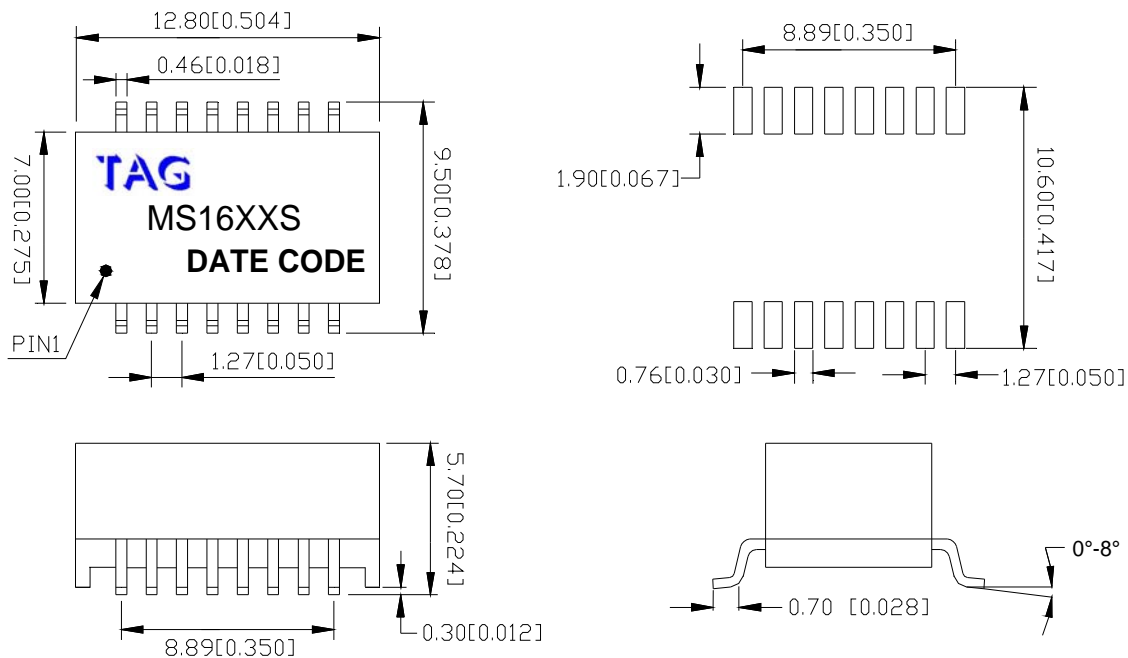
Email : sales@eko.com.tw

EKO TECH CO. LTD.

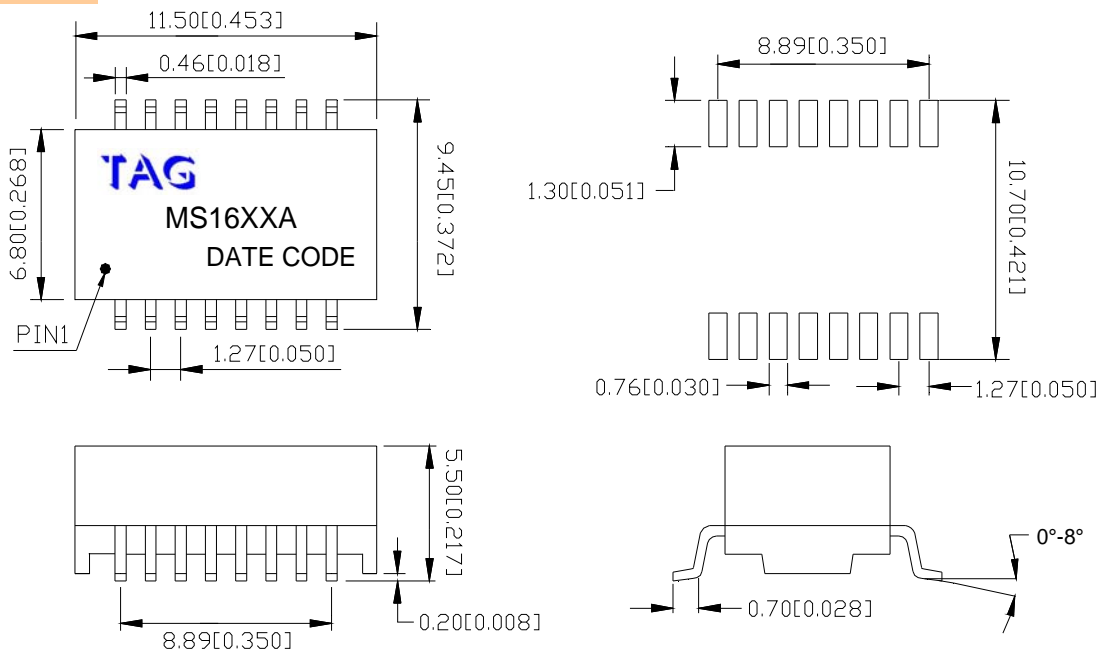
10/100 BASE-T TRANSFORMER MODULES

MECHANICAL SPECIFICATIONS

MS16XXS \ MS16XXSI \ MS16XXSIP \ MS16XXSP



MS16XXA \ MS16XXAI



NOTE. DIMENSIONS:MM(INCHES)/UNLESS OTHERWISE SPECIFIED ALL TOLERANCES ARE $\pm 0.25(0.010)$.

EKO TECH CO. LTD.

HEAD OFFICE :

5F-1, 128, Xinhu 2nd. Rd.,

Neihu Chiu, Taipei, Taiwan 114

TEL : 886- 2- 2791- 9208

FAX : 886- 2- 2791- 9271

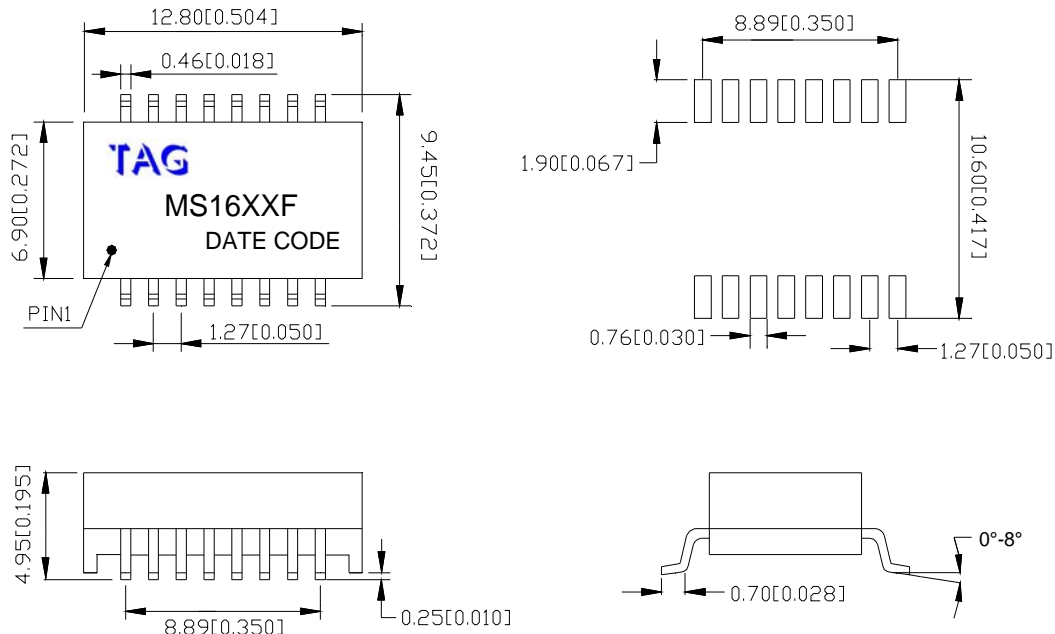
Email : sales@eko.com.tw

EKO TECH CO. LTD.

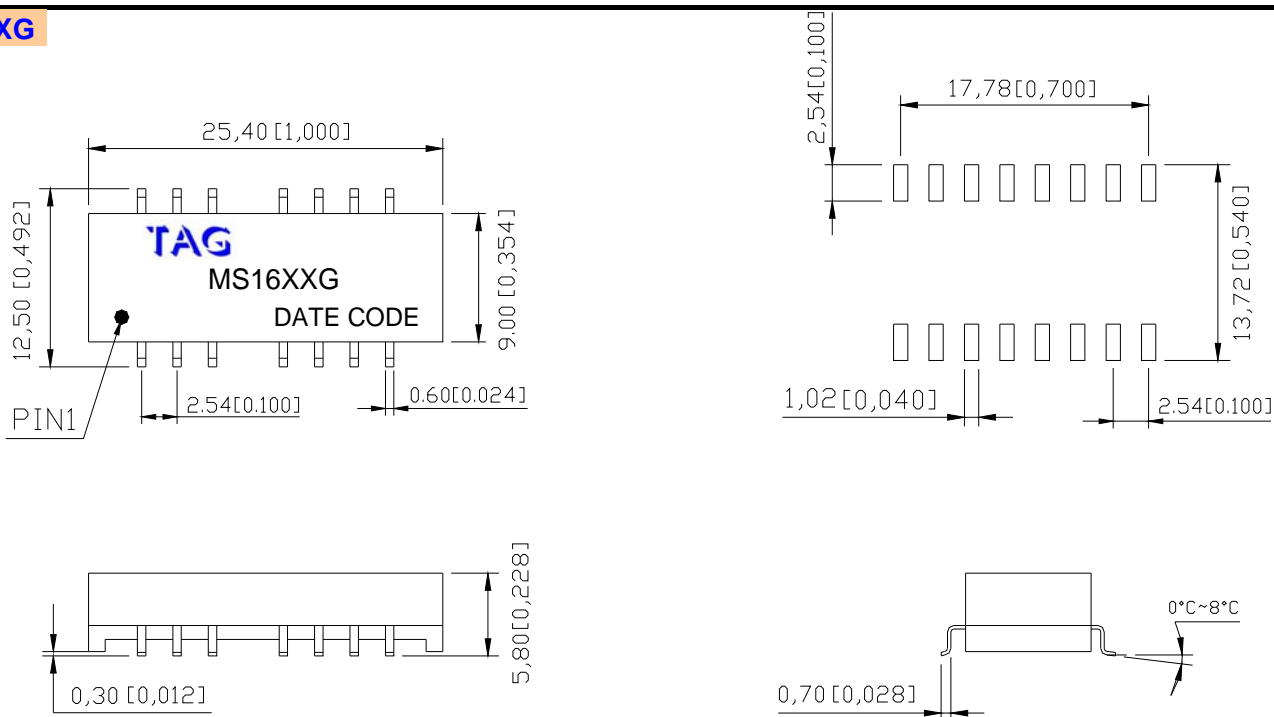
10/100 BASE-T TRANSFORMER MODULES

MECHANICAL SPECIFICATIONS

MS16XXF



MS16XXG



NOTE. DIMENSIONS:MM(INCHES)/UNLESS OTHERWISE SPECIFIED ALL TOLERANCES ARE ±0.25(0.010).

EKO TECH CO. LTD.

HEAD OFFICE :

5F-1, 128, Xinhu 2nd. Rd.,

Neihu Chiu, Taipei, Taiwan 114

TEL : 886- 2- 2791- 9208

FAX : 886- 2- 2791- 9271

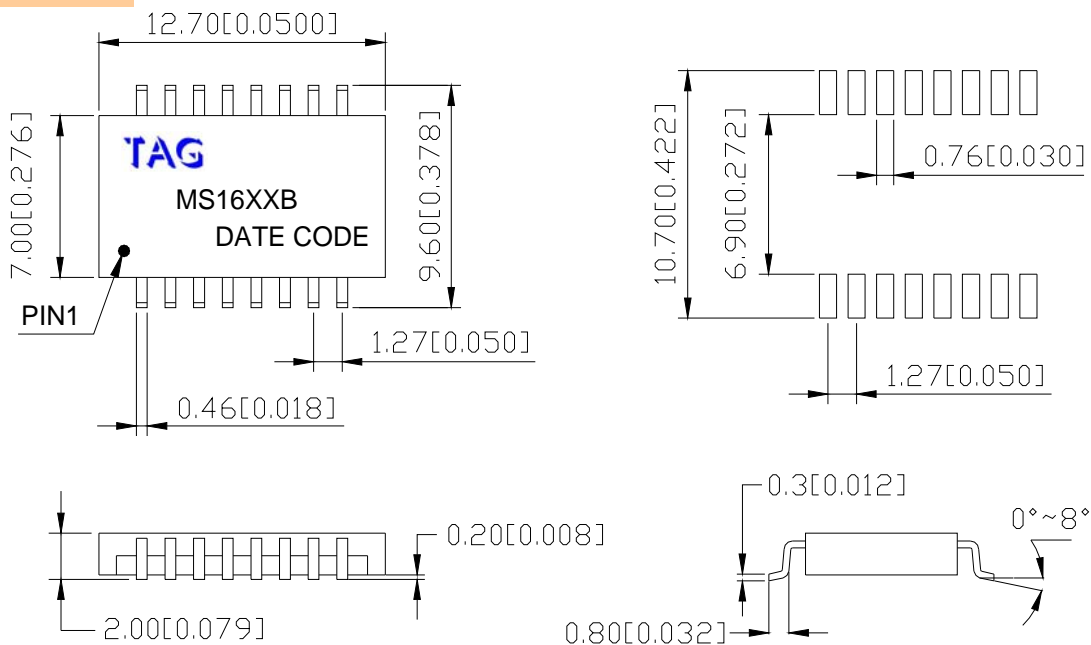
Email : sales@eko.com.tw

EKO TECH CO. LTD.

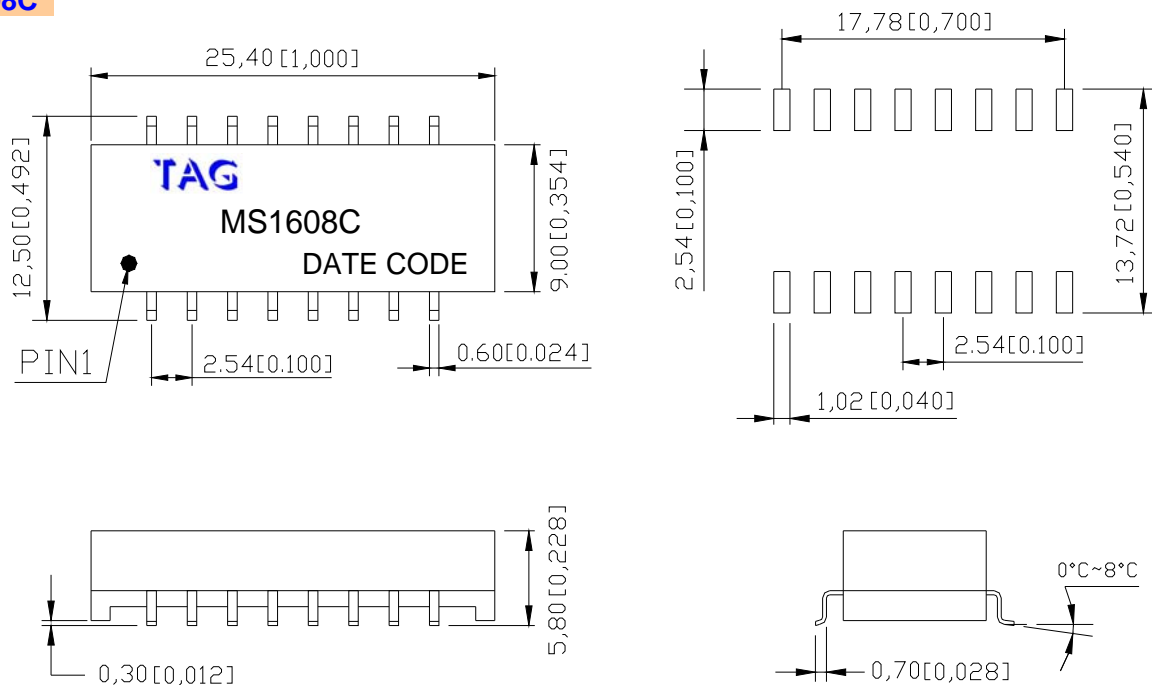
10/100 BASE-T TRANSFORMER MODULES

MECHANICAL SPECIFICATIONS

MS16XXBMS16XXBI



MS1608C



NOTE. DIMENSIONS:MM(INCHES)/UNLESS OTHERWISE SPECIFIED ALL TOLERANCES ARE ±0.25(0.010).

EKO TECH CO. LTD.

HEAD OFFICE :

5F-1, 128, Xinhu 2nd. Rd.,

Neihu Chiu, Taipei, Taiwan 114

TEL : 886- 2- 2791- 9208

FAX : 886- 2- 2791- 9271

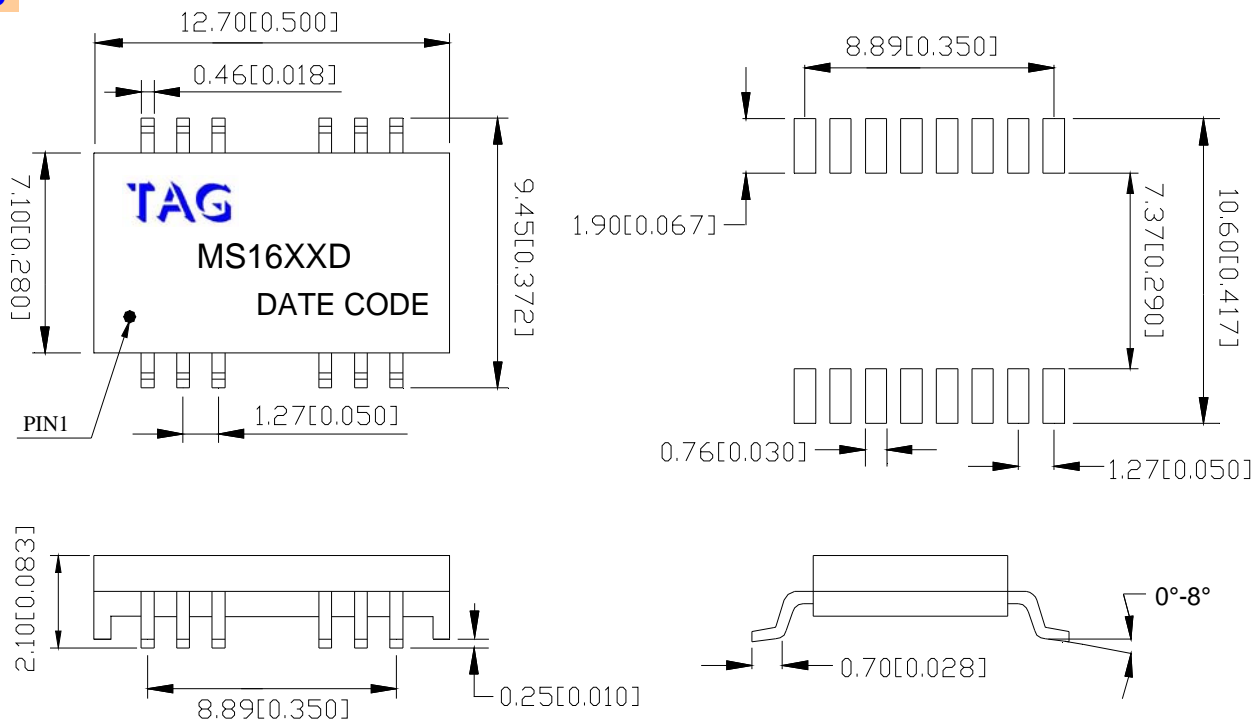
Email : sales@eko.com.tw

EKO TECH CO. LTD.

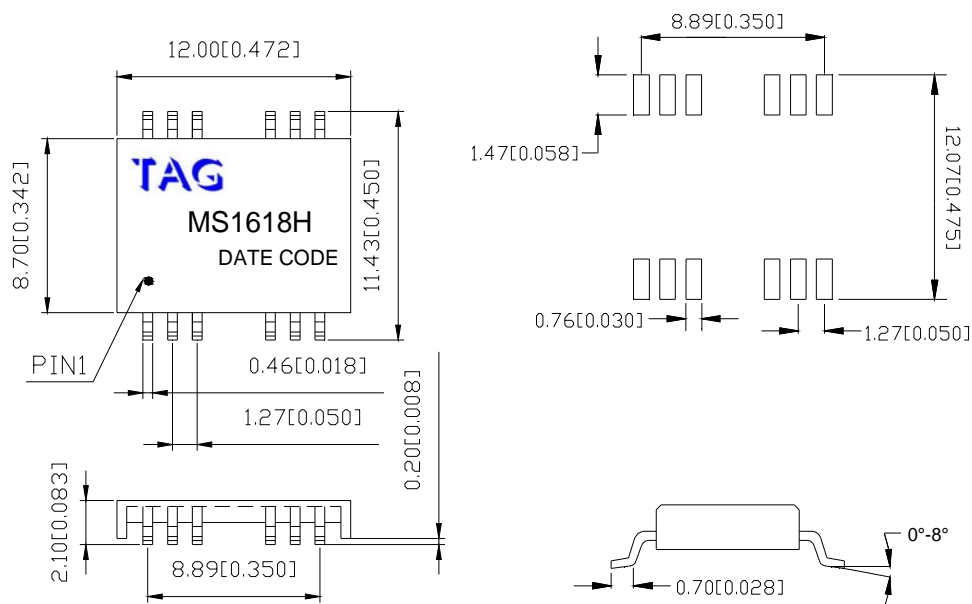
10/100 BASE-T TRANSFORMER MODULES

MECHANICAL SPECIFICATIONS

MS16XXD



MS1618H



NOTE. DIMENSIONS:MM(INCHES)/UNLESS OTHERWISE SPECIFIED ALL TOLERANCES ARE $\pm 0.25(0.010)$.

EKO TECH CO. LTD.

HEAD OFFICE :

5F-1, 128, Xinhu 2nd. Rd.,

Neihu Chiu, Taipei, Taiwan 114

TEL : 886- 2- 2791- 9208

FAX : 886- 2- 2791- 9271

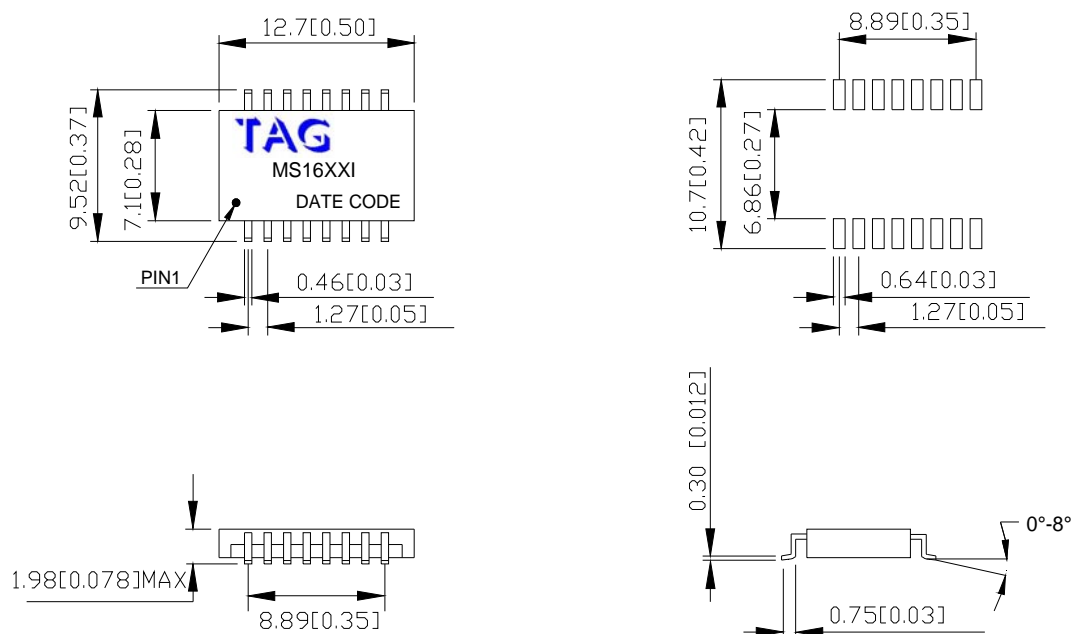
Email : sales@eko.com.tw

EKO TECH CO. LTD.

10/100 BASE-T TRANSFORMER MODULES

MECHANICAL SPECIFICATIONS

MS16XXI



NOTE. DIMENSIONS:MM(INCHES)/UNLESS OTHERWISE SPECIFIED ALL TOLERANCES ARE $\pm 0.25(0.010)$.

EKO TECH CO. LTD.

HEAD OFFICE :

5F-1, 128, Xinhu 2nd. Rd.,

Neihu Chiu, Taipei, Taiwan 114

TEL : 886- 2- 2791- 9208

FAX : 886- 2- 2791- 9271

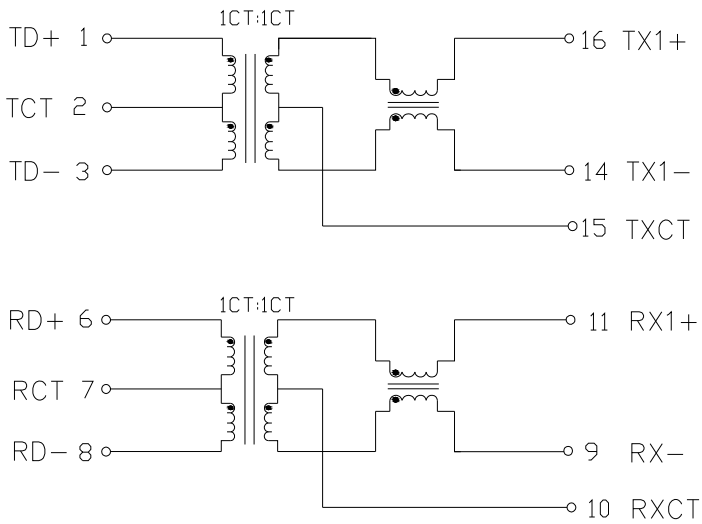
Email : sales@eko.com.tw

EKO TECH CO. LTD.

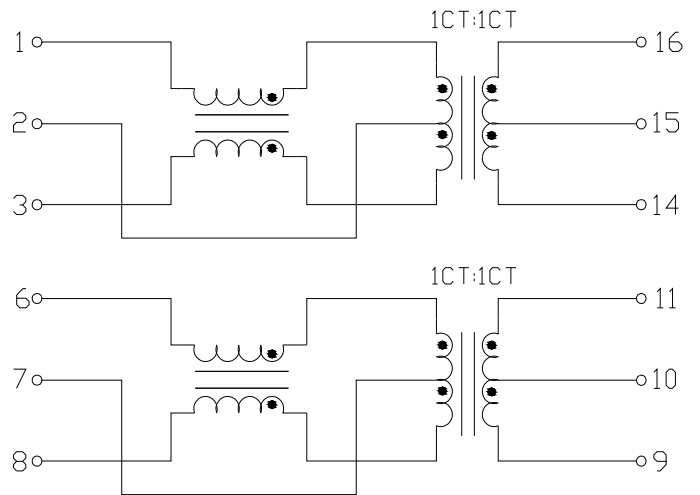
10/100 BASE-T TRANSFORMER MODULES

SCHEMATICS

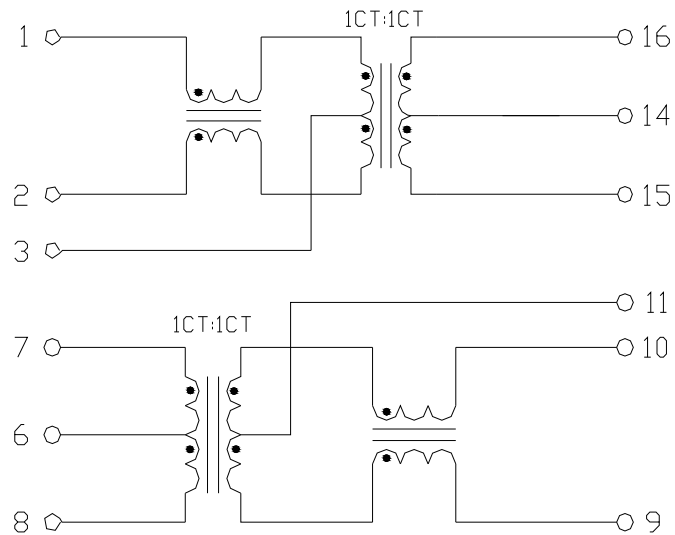
MS1601X \ MS1601XX



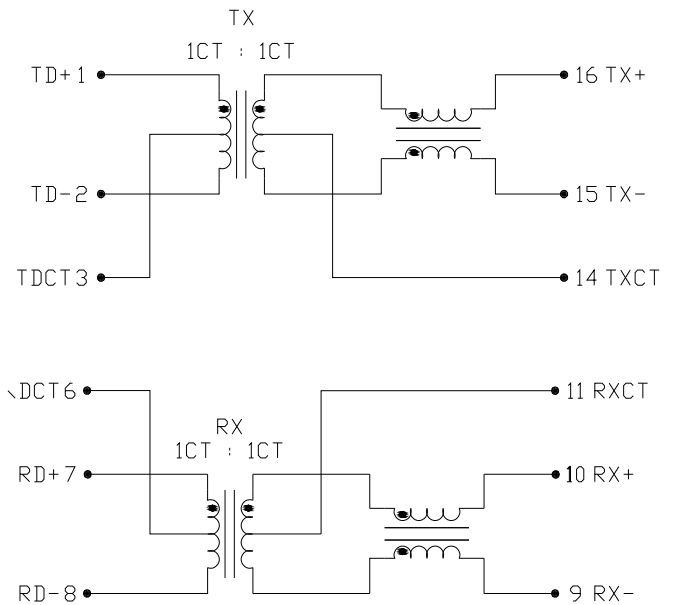
MS1602X



MS1603X



MS1604X



EKO TECH CO. LTD.

HEAD OFFICE :

5F-1, 128, Xinhu 2nd. Rd.,

Neihu Chiu, Taipei, Taiwan 114

TEL : 886- 2- 2791- 9208

FAX : 886- 2- 2791- 9271

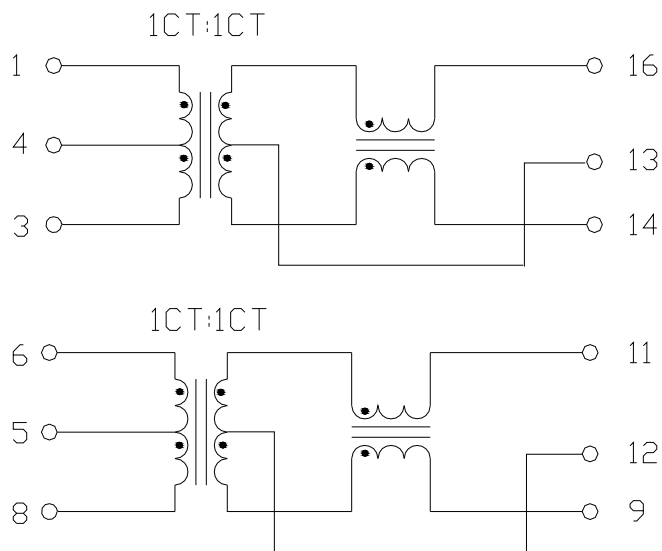
Email : sales@eko.com.tw

EKO TECH CO. LTD.

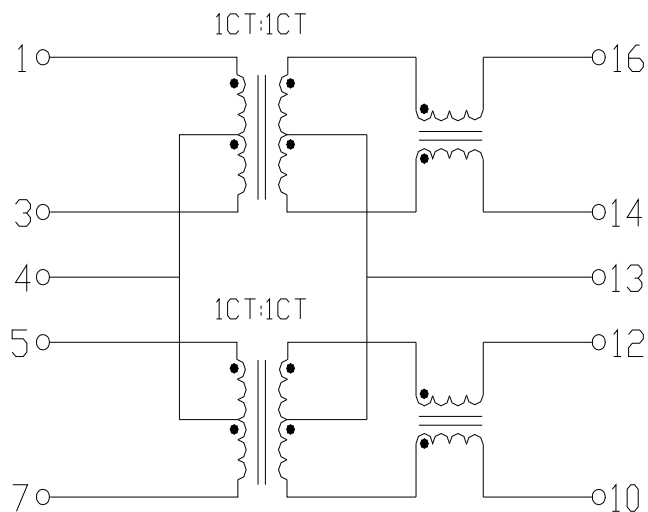
10/100 BASE-T TRANSFORMER MODULES

SCHEMATICS

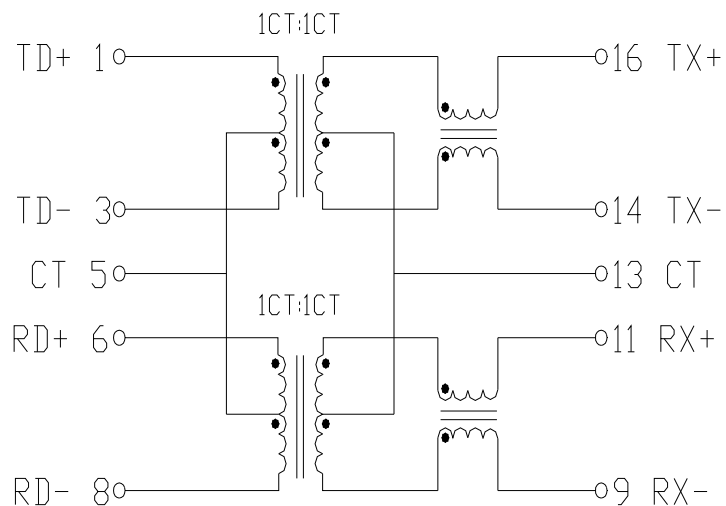
MS1605X



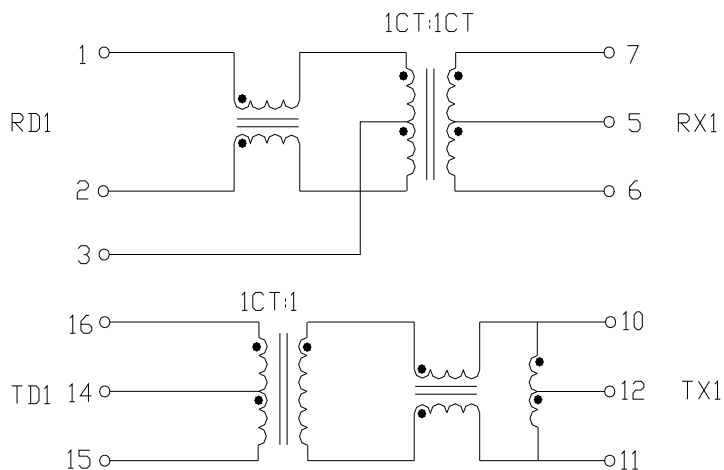
MS1606X



MS1607X \ MS1607XX



MS1608X



EKO TECH CO. LTD.

HEAD OFFICE :

5F-1, 128, Xinhu 2nd. Rd.,

Neihu Chiu, Taipei, Taiwan 114

TEL : 886- 2- 2791- 9208

FAX : 886- 2- 2791- 9271

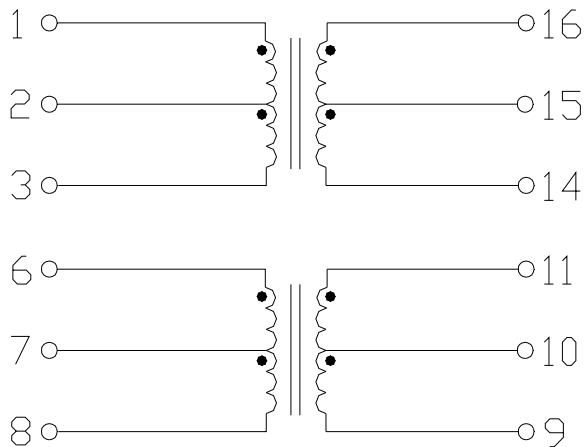
Email : sales@eko.com.tw

EKO TECH CO. LTD.

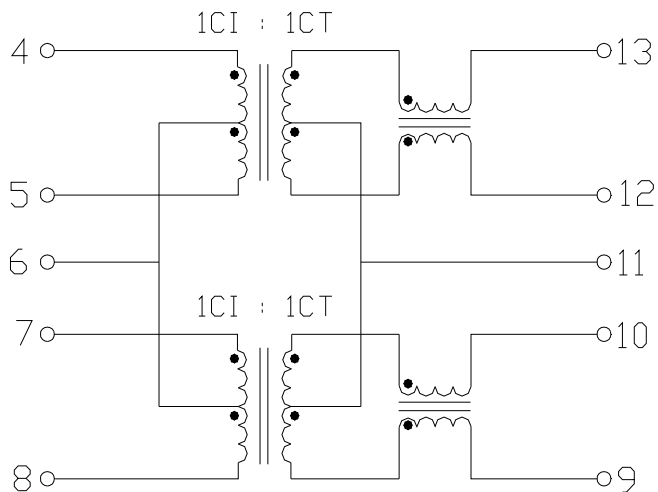
10/100 BASE-T TRANSFORMER MODULES

SCHEMATICS

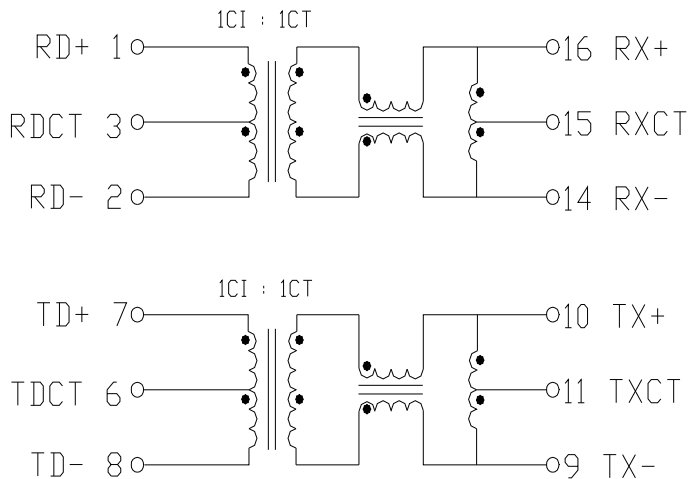
MS1609S/XX



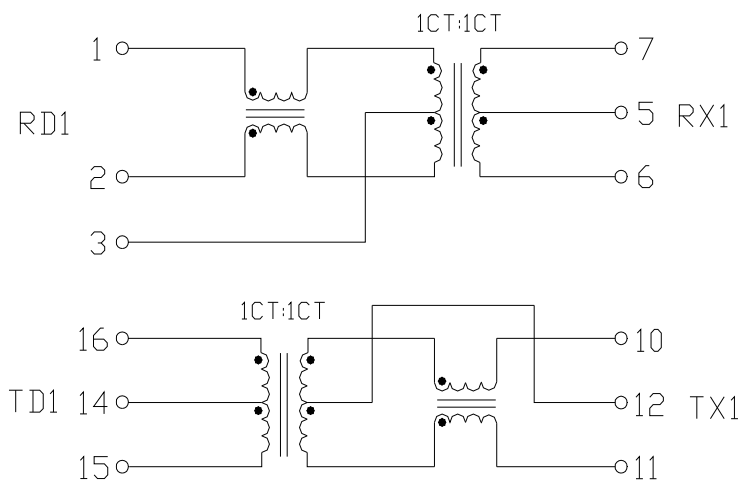
MS1610X



MS1611X



MS1612X



EKO TECH CO. LTD.

HEAD OFFICE :

5F-1, 128, Xinhu 2nd. Rd.,

Neihu Chiu, Taipei, Taiwan 114

TEL : 886- 2- 2791- 9208

FAX : 886- 2- 2791- 9271

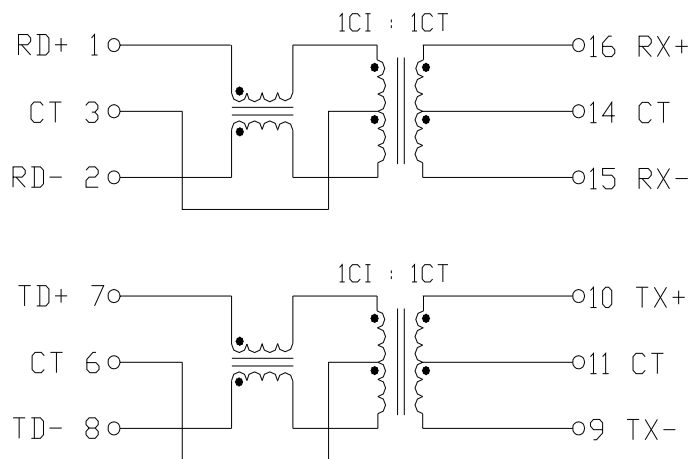
Email : sales@eko.com.tw

EKO TECH CO. LTD.

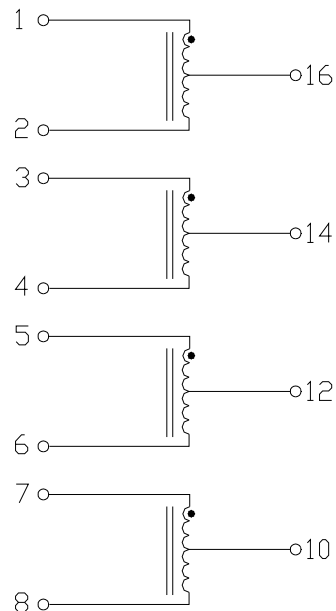
10/100 BASE-T TRANSFORMER MODULES

SCHEMATICS

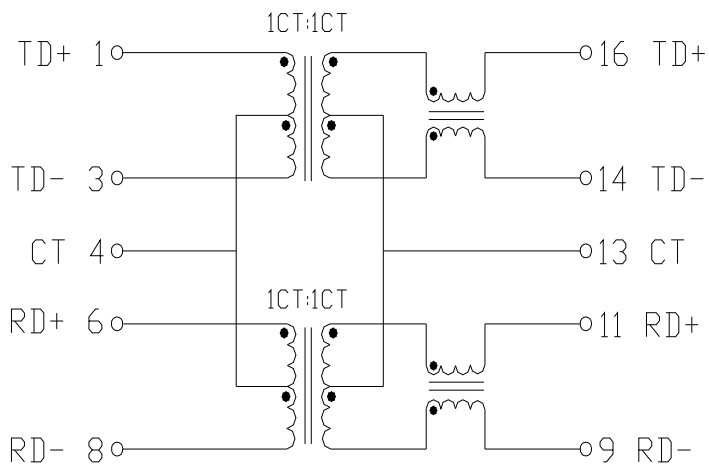
MS1613X



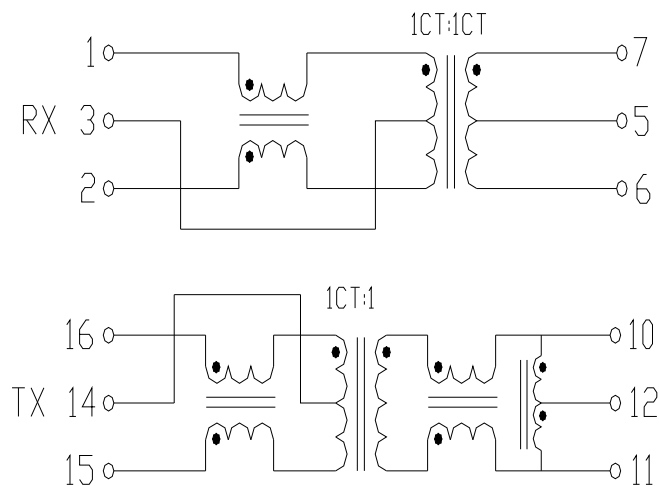
MS1614X \ MS1614XX



MS1615XX



MS1616X



EKO TECH CO. LTD.

HEAD OFFICE :

5F-1, 128, Xinhu 2nd. Rd.,

Neihu Chiu, Taipei, Taiwan 114

TEL : 886- 2- 2791- 9208

FAX : 886- 2- 2791- 9271

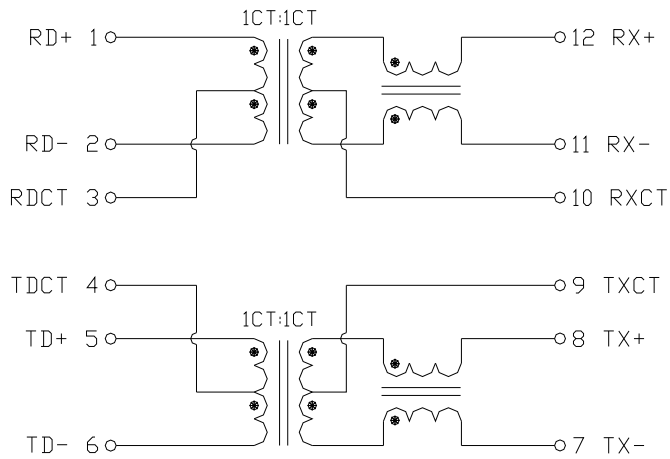
Email : sales@eko.com.tw

EKO TECH CO. LTD.

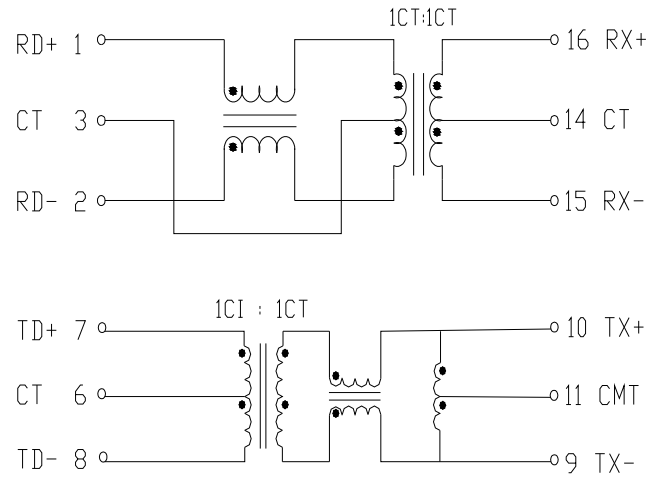
10/100 BASE-T TRANSFORMER MODULES

SCHEMATICS

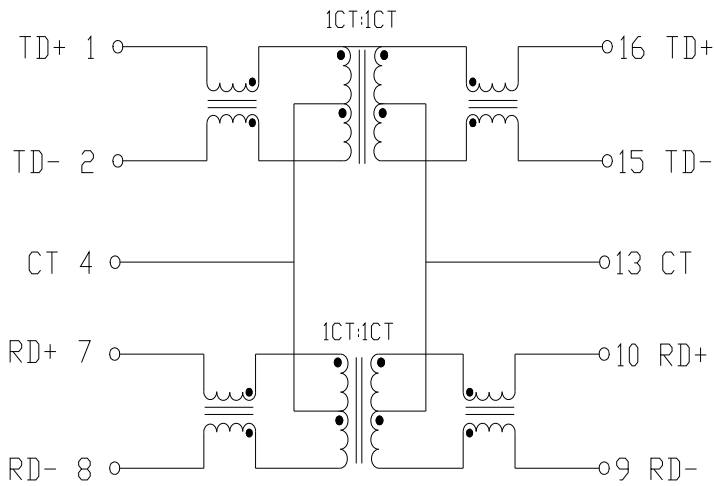
MS1617XX



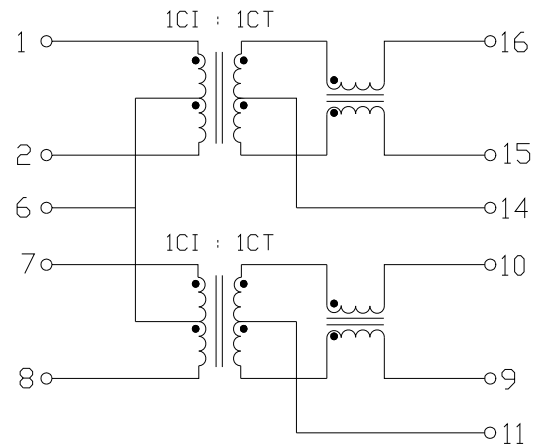
MS1618H



MS1619X



MS1620X



EKO TECH CO. LTD.

HEAD OFFICE :

5F-1, 128, Xinhua 2nd. Rd.,

Neihu Chiu, Taipei, Taiwan 114

TEL : 886- 2- 2791- 9208

FAX : 886- 2- 2791- 9271

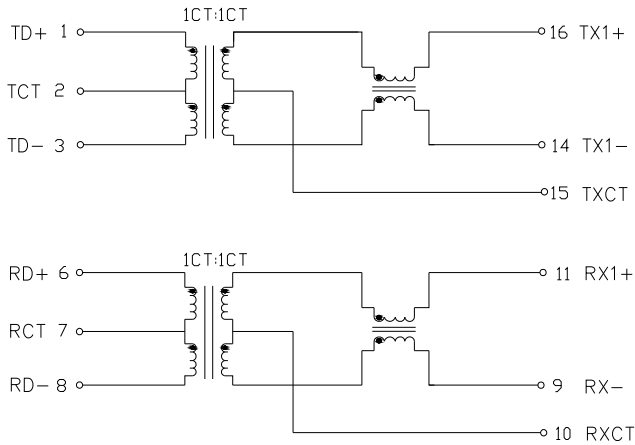
Email : sales@eko.com.tw

EKO TECH CO. LTD.

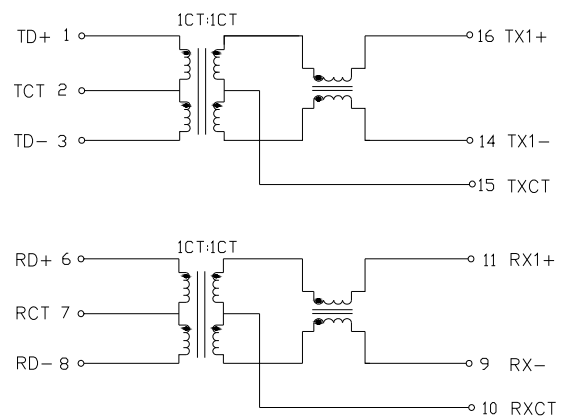
10/100 BASE-T TRANSFORMER MODULES

SCHEMATICS

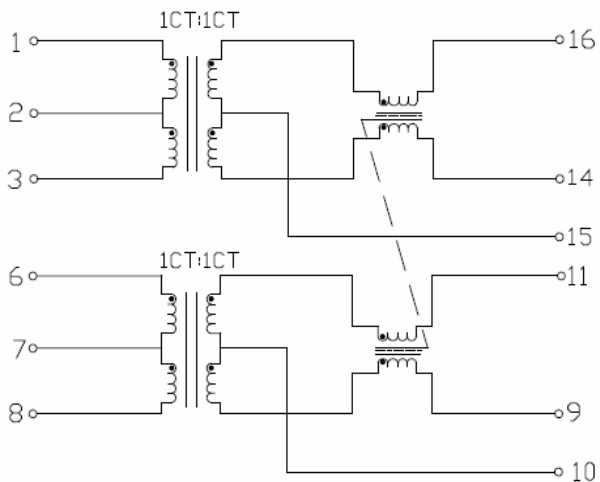
MS1621XX



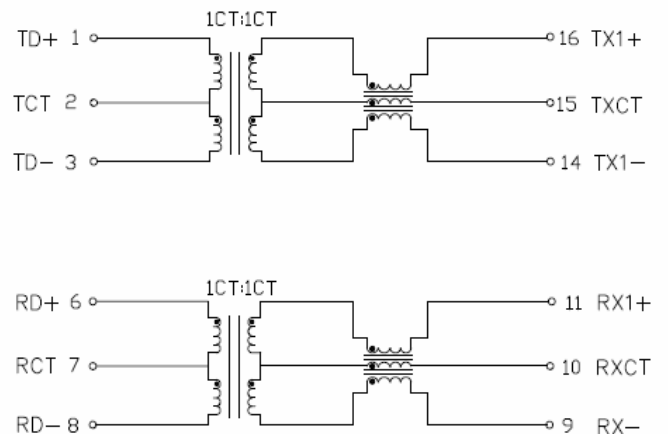
MS1622XX



MS1623XX



MS1624XX



EKO TECH CO. LTD.

HEAD OFFICE :

5F-1, 128, Xinhu 2nd. Rd.,

Neihu Chiu, Taipei, Taiwan 114

TEL : 886- 2- 2791- 9208

FAX : 886- 2- 2791- 9271

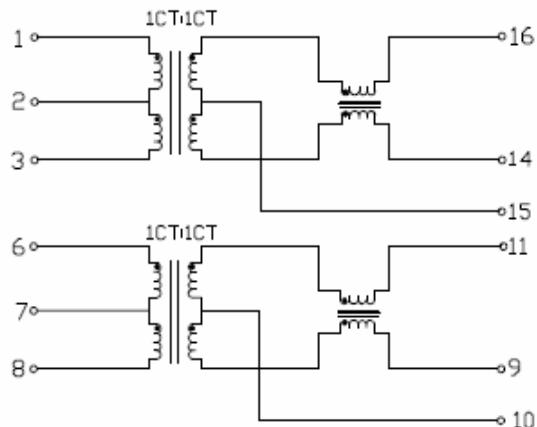
Email : sales@eko.com.tw

EKO TECH CO. LTD.

10/100 BASE-T TRANSFORMER MODULES

SCHEMATICS

MS1625XX



EKO TECH CO. LTD.

HEAD OFFICE :

5F-1, 128, Xinhu 2nd. Rd.,

Neihu Chiu, Taipei, Taiwan 114

TEL : 886- 2- 2791- 9208

FAX : 886- 2- 2791- 9271

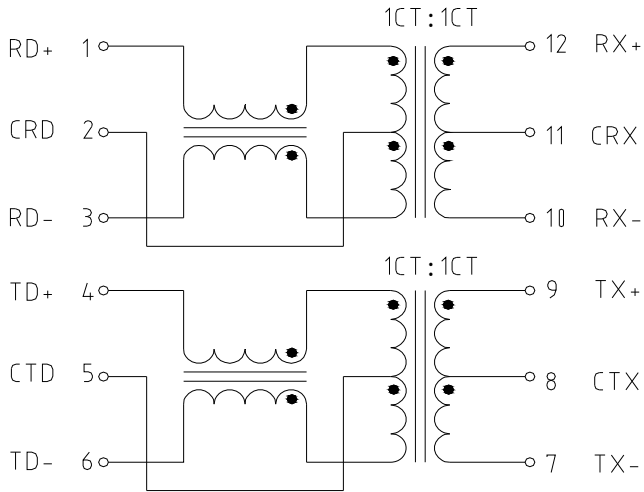
Email : sales@eko.com.tw

EKO TECH CO. LTD.

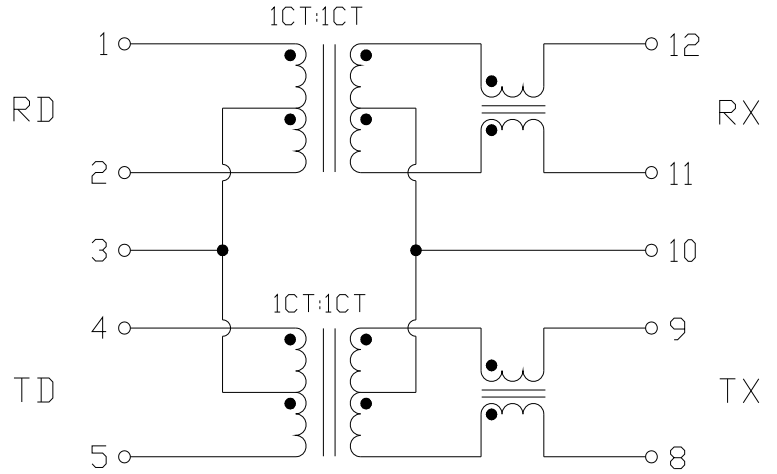
10/100 BASE-T TRANSFORMER MODULES

SCHEMATICS

MS1201XXX



MS1202XXX



EKO TECH CO. LTD.

HEAD OFFICE :

5F-1, 128, Xinhua 2nd. Rd.,

Neihu Chiu, Taipei, Taiwan 114

TEL : 886- 2- 2791- 9208

FAX : 886- 2- 2791- 9271

Email : sales@eko.com.tw

Data subject to change without notice. Please contact Tag for assistance locating product specifications

EKO TECH CO. LTD.

10/100 BASE-T TRANSFORMER MODULES

Transformer Modules(10/100Base-TX)For Auto MDI/MDIX Applications.

Compliant With IEEE 802.3 and ANSI X3.236 standards including Baseline Wander Compensation Specification of 350uH OCL When Biased at 8mA From 0°C to 70°C

Low Profile Surface Mount Packaging Designed Reflow Process (245°C peak).

For RoHS Compliance.

ELECTRICAL SPECIFICATIONS @ 25°C - Operating Temperature 0°C to 70°C

Part Number	Insertion Loss (dB max)		Return Loss (dB min)			Crosstalk (dB min)		CMRR (dB min)		
	1-100Mhz	1-30MHz	40MHz	50MHz	60-80MHz	1-30MHz	60-100MHz	1-30MHz	60MHz	100MHz
MS4001S	-1.1	-18	-14.4	-13.1	-12	-42	-33	-40	-35	-30
MS4001SI	-1.1	-18	-14.4	-13.1	-12	-42	-33	-40	-35	-30
MS4001SR	-1.1	-18	-14.4	-13.1	-12	-42	-33	-40	-35	-30
MS4002S	-1.1	-18	-14.4	-13.1	-12	-35	-30	-40	-35	-30
MS4003S	-1.1	-18	-14.4	-13.1	-12	-35	-30	-40	-35	-30
MS4004S	-1.1	-18	-14.4	-13.1	-12	-35	-30	-40	-35	-30

Note : Isolation Voltage (HiPot) of 1500Vrms

“T” with Extended Temperature(-40°C to +85°C)

EKO TECH CO. LTD.

HEAD OFFICE :

TEL : 886- 2- 2791- 9208

5F-1, 128, Xinhu 2nd. Rd.,

FAX : 886- 2- 2791- 9271

Neihu Chiu, Taipei, Taiwan 114

Email : sales@eko.com.tw

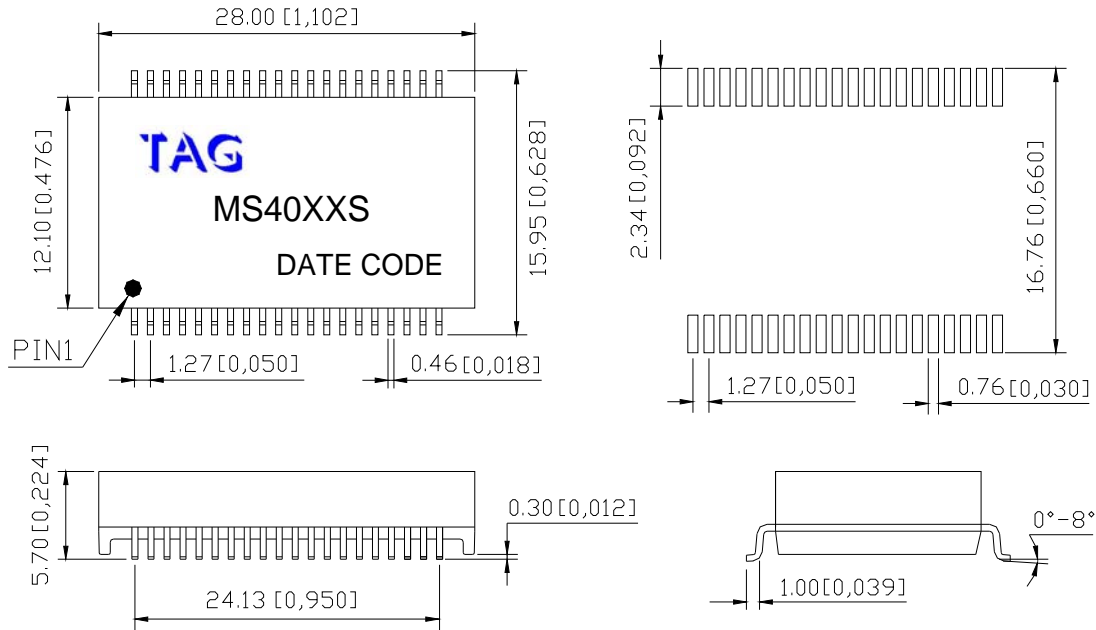
Data subject to change without notice. Please contact Tag for assistance locating product specifications

EKO TECH CO. LTD.

10/100 BASE-T TRANSFORMER MODULES

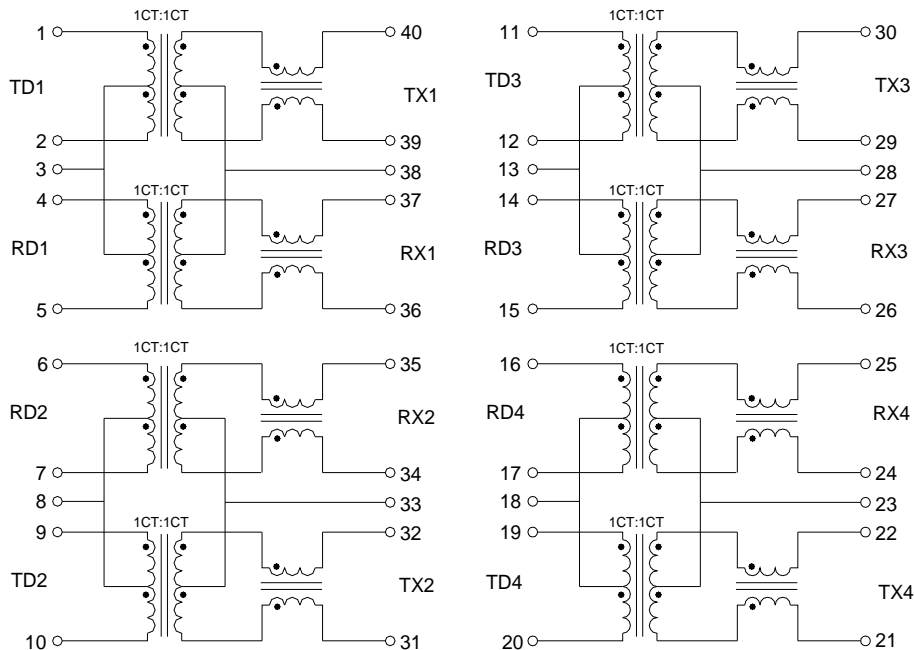
MECHANICAL SPECIFICATIONS

MS40XXS \ MS40XXSX



SCHEMATICS

MS4001S \ MS4001SX



NOTE. DIMENSIONS:MM(INCHES)/UNLESS OTHERWISE SPECIFIED ALL TOLERANCES ARE $\pm 0.25(0.010)$.

EKO TECH CO. LTD.

HEAD OFFICE :

TEL : 886- 2- 2791- 9208

5F-1, 128, Xinhu 2nd. Rd.,

FAX : 886- 2- 2791- 9271

Neihu Chiu, Taipei, Taiwan 114

Email : sales@eko.com.tw

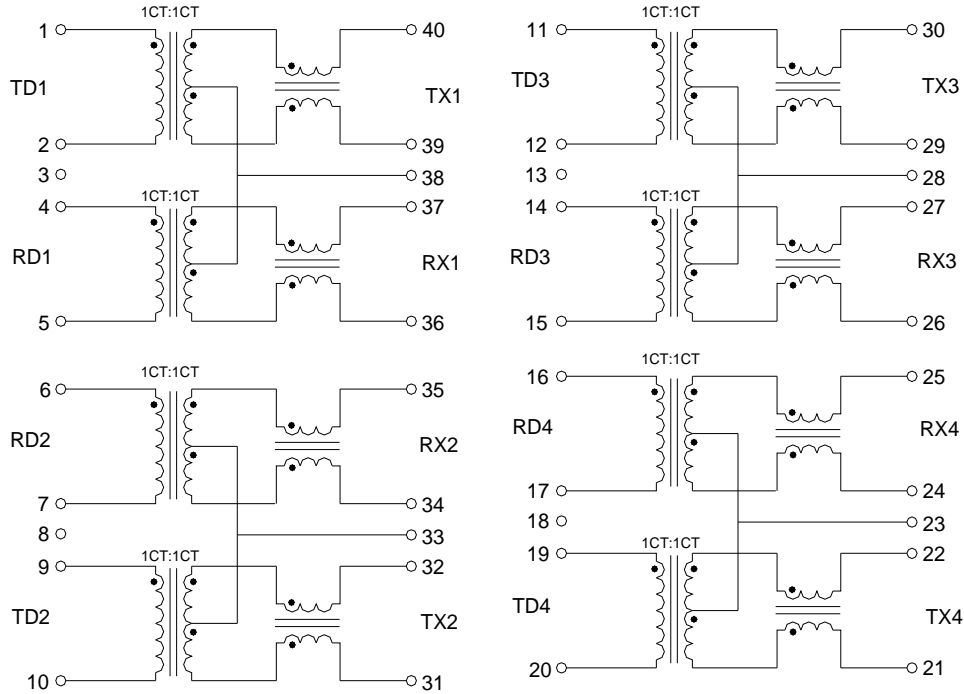
Data subject to change without notice. Please contact Tag for assistance locating product specifications

EKO TECH CO. LTD.

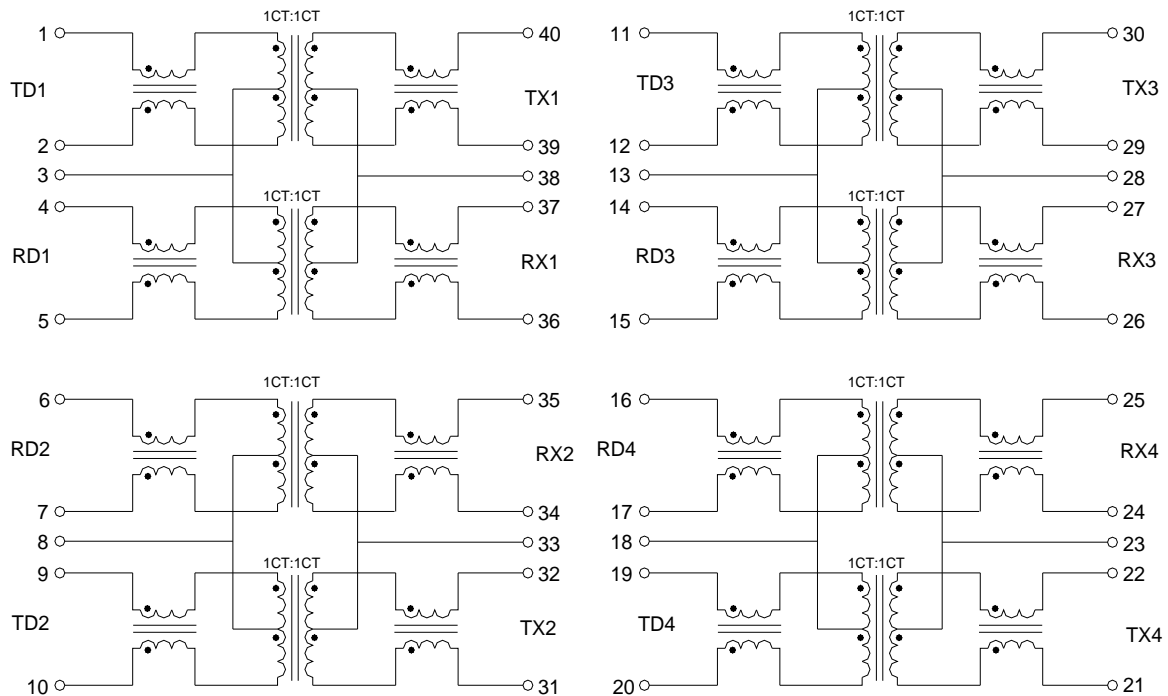
10/100 BASE-T TRANSFORMER MODULES

SCHEMATICS

MS4002S



MS4003S



EKO TECH CO. LTD.

HEAD OFFICE :

TEL : 886- 2- 2791- 9208

5F-1, 128, Xinhu 2nd. Rd.,

FAX : 886- 2- 2791- 9271

Neihu Chiu, Taipei, Taiwan 114

Email : sales@eko.com.tw

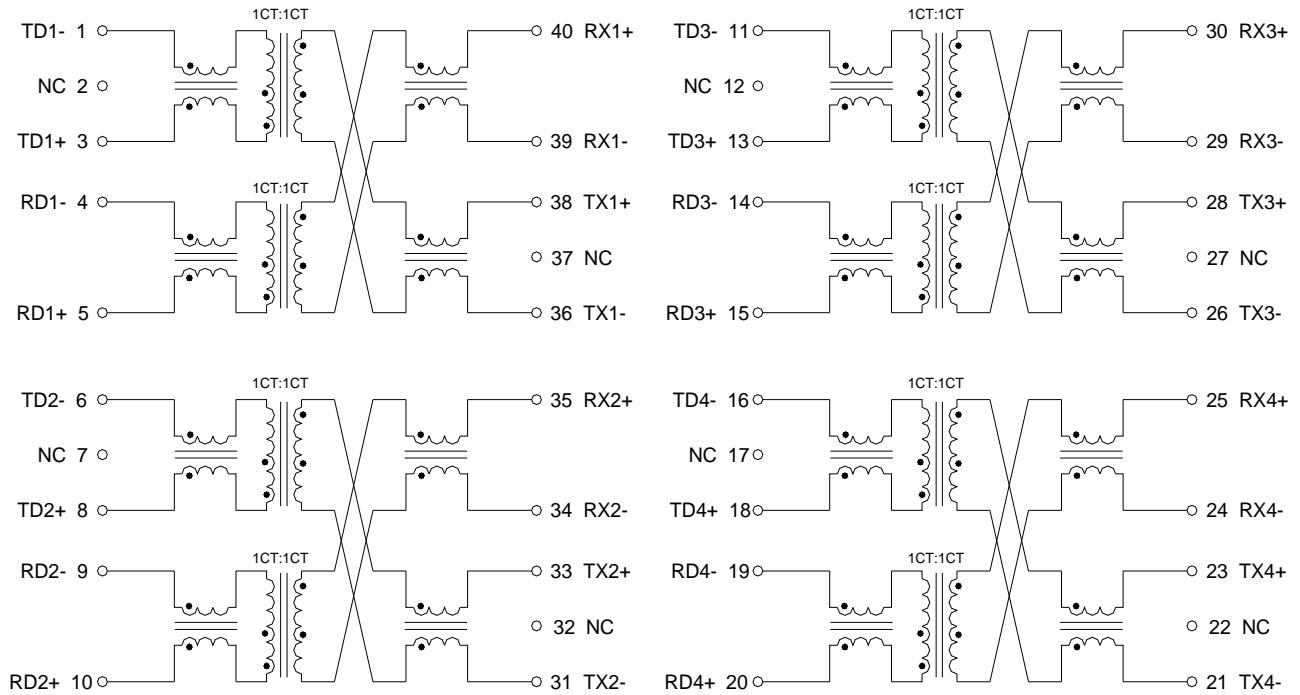
Data subject to change without notice. Please contact Tag for assistance locating product specifications

EKO TECH CO. LTD.

10/100 BASE-T TRANSFORMER MODULES

SCHEMATICS

MS4004S



EKO TECH CO. LTD.

HEAD OFFICE :

5F-1, 128, Xihu 2nd. Rd.,

Neihu Chiu, Taipei, Taiwan 114

TEL : 886- 2- 2791- 9208

FAX : 886- 2- 2791- 9271

Email : sales@eko.com.tw

Data subject to change without notice. Please contact Tag for assistance locating product specifications

EKO TECH CO. LTD.

100/1000 BASE-T TRANSFORMER MODULES

Design For Long Hual Gigabit Ethernet 100/1000 BASE-TX Full Duplex Applications.

Low Profile Surface Mount Packaging Designed Reflow Process (245°C peak).

Compliant With IEEE 802ab draft standards for 1000Base-T.

For RoHS Compliance.

ELECTRICAL SPECIFICATIONS @ 25°C - Operating Temperature 0°C to 70°C

Part Number	Insertion Loss (dB max)		Return Loss (dB min)				Crosstalk (dB min)			CMRR (dB min)		
	1-100MHz	1-30MHz	40MHz	50MHz	60MHz	80MHz	1-30MHz	60MHz	100MHz	1-30MHz	60MHz	80-100MHz
GS2401S	-1.0	-16	-16	-14.1	-12.5	-10	-35.8	-30.8	-28	-42	-37	-33
GS2401SI	-1.0	-16	-16	-14.1	-12.5	-10	-35.8	-30.8	-28	-42	-37	-33
GS2401SIP	-1.0	-16	-16	-14.1	-12.5	-10	-35.8	-30.8	-28	-42	-37	-33
GS2401SP	-1.0	-16	-16	-14.1	-12.5	-10	-35.8	-30.8	-28	-42	-37	-33
GS2401C	-1.0	-18	-14.4	-13.1	-12	-12	-40	-35	-30	-42	-37	-33
GS2401CP	-1.0	-18	-14.4	-13.1	-12	-12	-40	-35	-30	-42	-37	-33
GS2401JP	-1.1	-18	-14.4	-13.4	-12	-10	-45	-35	-30	-43	-37	-33
GS2401NIP	-1.0	-16	-16	-14.1	-12.5	-10	-35.8	-30.8	-28	-42	-37	-33
GS2401AP	-1.0	-16	-16	-14.1	-12.5	-10	-35.8	-30.8	-28	-42	-37	-33
GS2402A	-1.0	-18	-14.4	-13.1	-12	-10	-45	-40	-30	-43	-37	-33
GS2402AI	-1.0	-18	-14.4	-13.1	-12	-10	-45	-40	-30	-43	-37	-33
GS2402AP	-1.0	-18	-14.4	-13.1	-12	-10	-45	-40	-30	-43	-37	-33
GS2402B	-1.0	-18	-14.4	-13.1	-12	-12	-40	-33	-33	-40	-35	-30
GS2402BI	-1.0	-18	-14.4	-13.1	-12	-12	-40	-33	-33	-40	-35	-30
GS2402BP	-1.0	-18	-14.4	-13.1	-12	-12	-40	-33	-33	-40	-35	-30
GS2402C	-1.0	-18	-14.4	-13.1	-12	-12	-40	-35	-30	-40	-40	-40

Note : Isolation Voltage (HiPot) of 1500Vrms

“T” with Extended Temperature(-40°C to +85°C)

“P” With PoE(720mA Current Capability)

EKO TECH CO. LTD.

HEAD OFFICE :

TEL : 886- 2- 2791- 9208

5F-1, 128, Xinhua 2nd. Rd.,

FAX : 886- 2- 2791- 9271

Neihu Chiu, Taipei, Taiwan 114

Email : sales@eko.com.tw

Data subject to change without notice. Please contact Tag for assistance locating product specifications

EKO TECH CO. LTD.

100/1000 BASE-T TRANSFORMER MODULES

Design For Long Hual Gigabit Ethernet 100/1000 BASE-TX Full Duplex Applications.

Low Profile Surface Mount Packaging Designed Reflow Process (245°C peak).

Compliant With IEEE 802ab draft standards for 1000Base-T.

For RoHS Compliance.

ELECTRICAL SPECIFICATIONS @ 25°C - Operating Temperature 0°C to 70°C

Part Number	Insertion Loss (dB max)			Return Loss (dB min)				Crosstalk (dB min)			CMRR (dB min)		
	1-100Mhz	1-30MHz	40MHz	50MHz	60MHz	80MHz	1-30MHz	60MHz	100MHz	1-30MHz	60MHz	80-100MHz	
GS2402CP	-1.0	-18	-14.4	-13.1	-12	-12	-40	-35	-30	-40	-40	-40	
GS2402S	-1.1	-18	-14.4	-13.1	-12	-10	-45	-35	-30	-43	-37	-33	
GS2402SI	-1.0	-16	-16	-14.1	-12.5	-10	-35.8	-30.8	-28	-42	-37	-33	
GS2402SP	-1.0	-16	-16	-14.1	-12.5	-10	-35.8	-30.8	-28	-42	-37	-33	
GS2402SIP	-1.0	-16	-16	-12	-12	-10	-45	-40	-35	-42	-40	-35	
GS2402AI	-1.1	-18	-14	-14	-12	-10	-40	-33	-33	-40	-40	-40	
GS2402G	-1.1	-18	-14.4	-13.1	-12	-10	-40	-33	-33	-30	-30	-30	
GS2402J	-1.1	-18	-14.4	-13.1	-12	-10	-45	-35	-30	-43	-37	-33	
GS2402I	-1.1	-18	-14.4	-13.1	-12	-10	-45	-35	-30	-43	-37	-33	
GS2403S	-1.1	-16	-16	-14.1	-12.5	-10	-35.8	-30.8	-28	-40	-35	-30	
GS2403SI	-1.1	-18	-16	-14.1	-12.5	-10	-45	-40	-35	-43	-37	-33	
GS2403SP	-1.1	-16	-16	-14.1	-12.5	-10	-35.8	-30.8	-28	-40	-35	-30	
GS2403SIP	-1.1	-16	-16	-14.1	-12.5	-10	-34.8	-29.8	-27	-40	-35	-30	
GS2403BI	-1.1	-18	-16	-14.1	-12.5	-10	-45	-40	-35	-43	-37	-33	
GS2403A	-1.1	-18	-14.4	-13.1	-12	-10	-45	-40	-30	-43	-37	-33	
GS2403AI	-1.0	-18	-15	-13.1	-12	-10	-45	-40	-35	-43	-37	-33	
GS2403AP	-1.0	-18	-15	-13.1	-12	-10	-45	-40	-35	-43	-37	-33	
GS2403G	-1.0	-18	-14	-13	-12	-10	-45	-40	-35	-43	-37	-33	
GS2403K	-1.0	-18	-14	-13	-12	-10	-45	-40	-35	-43	-37	-33	

Note : Isolation Voltage (HiPot) of 1500Vrms

“I” with Extended Temperature(-40°C to +85°C)

“P” With PoE(720mA Current Capability)

EKO TECH CO. LTD.

HEAD OFFICE :

5F-1, 128, Xinhua 2nd. Rd.,

Neihu Chiu, Taipei, Taiwan 114

TEL : 886- 2- 2791- 9208

FAX : 886- 2- 2791- 9271

Email : sales@eko.com.tw

Data subject to change without notice. Please contact Tag for assistance locating product specifications

EKO TECH CO. LTD.

100/1000 BASE-T TRANSFORMER MODULES

Design For Long Hual Gigabit Ethernet 100/1000 BASE-TX Full Duplex Applications.

Low Profile Surface Mount Packaging Designed Reflow Process (245°C peak).

Compliant With IEEE 802ab draft standards for 1000Base-T.

For RoHS Compliance.

ELECTRICAL SPECIFICATIONS @ 25°C - Operating Temperature 0°C to 70°C

Part Number	Insertion Loss (dB max)		Return Loss (dB min)				Crosstalk (dB min)			CMRR (dB min)		
	1-100Mhz	1-30MHz	40MHz	50MHz	60MHz	80MHz	1-30MHz	60MHz	100MHz	1-30MHz	60MHz	80-100MHz
GS2403KR	-1.0	-18	-14	-13	-12	-10	-45	-40	-35	\	\	\
GS2404F	-1.1	-18	-14	-13.1	-12	-10	-50	-45	-40	-40	-40	-40
GS2405S	-1.0	-18	-18	-16	-12	-10	-43	-37	-33	-43	-37	-33
GS2405SP	-1.0	-18	-18	-13.1	-12	-12	-42	-33	-33	-40	-35	-30
GS2405SIP	-1.0	-18	-18	-13.1	-12	-12	-42	-33	-33	-40	-35	-30
GS2405JI	-1.0	-18	-18	-14.4	-12	-10	-41	-37	-33	\	\	\
GS2405JIP	-1.0	-18	-18	-14.4	-12	-10	-41	-37	-33	\	\	\
GS2405JP	-1.0	-18	-18	-14.4	-12	-10	-41	-37	-33	\	\	\
GS2405JIPR	-1.0	-18	-18	-13.1	-12	-10	-42	-33	-33	-40	-35	-30
GS2405BI	-1.0	-18	-18	-13.1	-12	-10	-42	-33	-33	-40	-35	-30
GS2406AP	-1.1	-18	-14.4	-13.1	-12	-12	-42	-33	-33	-40	-35	-30
GS2407JIP	-1.0	-16	-13.1	-13.1	-12	-12	-42	-33	-33	-40	-35	-30
GS2408S	-1.2	-16	-16	-14.1	-12.5	-10	-35.8	-30.8	-28	-42	-37	-33
GS2409C	-1.1	-18	-14.4	-13.1	-12	-12	-40	-33	-33	-40	-35	-30
GS2409D	-1.0	-18	-14.4	-13.1	-12	-12	-40	-38	-32	-40	-40	-40
GS2409R	-1.0	-18	-14.4	-13.1	-12	-12	-40	-38	-32	-40	-40	-40
GS2409FIP	-1.1	-18	-14.4	-13.1	-12	-12	-40	-33	-33	-40	-35	-30
GS2409NIP	-1.0	-18	-14.4	-13.1	-12	-12	-40	-38	-32	-40	-40	-40
GS2409SIP	-1.0	-18	-14.4	-13.1	-12	-12	-40	-38	-32	-40	-40	-40
GS2410AI	-1.0	-18	-16	-14.1	-12.5	-10	-45	-35	-30	\	\	\
GS2410AIP	-1.1	-16	-16	-14.1	-12.5	-10	-35.8	-30.8	-28	\	\	\
GS2410BP	-1.1	-18	-16	-14.1	-12.5	-10	-45	-35	-30	\	\	\
GS2410BIP	-1.1	-18	-16	-14.1	-12.5	-10	-45	-35	-30	\	\	\

Note : Isolation Voltage (HiPot) of 1500Vrms

“I” with Extended Temperature(-40°C to +85°C)

“P” With PoE(720mA Current Capability)

EKO TECH CO. LTD.

HEAD OFFICE :

5F-1, 128, Xinhu 2nd. Rd.,

Neihu Chiu, Taipei, Taiwan 114

TEL : 886- 2- 2791- 9208

FAX : 886- 2- 2791- 9271

Email : sales@eko.com.tw

EKO TECH CO. LTD.

100/1000 BASE-T TRANSFORMER MODULES

Design For Long Hual Gigabit Ethernet 100/1000 BASE-TX Full Duplex Applications.

Low Profile Surface Mount Packaging Designed Reflow Process (245°C peak).

Compliant With IEEE 802ab draft standards for 1000Base-T.

For RoHS Compliance.

ELECTRICAL SPECIFICATIONS @ 25°C - Operating Temperature 0°C to 70°C

Part Number	Insertion Loss (dB max)			Return Loss (dB min)				Crosstalk (dB min)			CMRR (dB min)		
	1-100Mhz	1-30MHz	40MHz	50MHz	60MHz	80MHz	1-30MHz	60MHz	100MHz	1-30MHz	60MHz	80-100MHz	
GS2410EIP	-1.1	-18	-16	-14.1	-12.5	-10	-35	-28	-28	\	\	\	
GS2410SP	-1.0	-18	-16	-14.1	-12.5	-10	-45	-35	-30	\	\	\	
GS2411SIP	-1.2	-16	-16	-14.1	-12.5	-10	-35.8	-30.8	-28	-42	-37	-33	
GS2411C	-1.2	-16	-16	-14.1	-12.5	-10	-35.8	-30.8	-28	-42	-37	-33	
GS2411BIP	-1.2	-16	-16	-14.1	-12.5	-10	-35.8	-30.8	-28	-42	-37	-33	
GS2411HIP	-1.2	-16	-16	-14.1	-12.5	-10	-35.8	-30.8	-28	-42	-37	-33	
GS2412S	-1.0	-16	-16	-14.1	-12.5	-10	-35.8	-30.8	-28	-42	-37	-33	
GS2412SIP	-1.0	-16	-16	-14.1	-12.5	-10	-35.8	-30.8	-28	-42	-37	-33	
GS2412C	-1.0	-16	-16	-14.1	-12.5	-10	-35.8	-30.8	-28	-42	-37	-33	
GS2413QIP	-1.2	-16	-16	$-10+20*\text{LOG}_{10}(F/10)$			-50	$-55+22*\text{LOG}_{10}(F/80)$		-50	$-15+20*\text{LOG}_{10}(F/200)$		
GS2413PIP	-1.2	-16	-16	$-10+20*\text{LOG}_{10}(F/80)$			-50	$-55+22*\text{LOG}_{10}(F/10)$		-50	$-15+20*\text{LOG}_{10}(F/200)$		
GS2414JIP	-1.0	-18	-14.4	-14.4	-12	-10	-41	-37	-33	\	\	\	
GS2415QIP	-1.2	-16	-16	$-10+20*\text{LOG}_{10}(F/80)$			-50	$-55+22*\text{LOG}_{10}(F/10)$			$-15+20*\text{LOG}_{10}(F/200)$		
GS2416AP	-1.0	-18	-18	-16	-12	-10	-43	-37	-33	-43	-37	-33	
GS2417S	-1.0	-16	-16	-14.1	-12.5	-10	-35.8	-30.8	-28	-42	-37	-33	
GS2417SI	-1.0	-16	-16	-14.1	-12.5	-10	-35.8	-30.8	-28	-42	-37	-33	
GS2417SIP	-1.0	-16	-16	-14.1	-12.5	-10	-35.8	-30.8	-28	-42	-37	-33	
GS2417SP	-1.0	-16	-16	-14.1	-12.5	-10	-35.8	-30.8	-28	-42	-37	-33	
GS2417JP	-1.0	-16	-16	-14.1	-12.5	-10	-35.8	-30.8	-28	-42	-37	-33	
GS2417BI	-1.0	-16	-16	-14.1	-12.5	-10	-35.8	-30.8	-28	-42	-37	-33	
GS2418BIP	-1.0	-18	-16	-14.1	-12.5	-10	-45	-35	-30	\	\	\	
GS2419EIP	-1.1	-18	-16	-14.1	-12.5	-10	-35	-28	-28	\	\	\	

Note : Isolation Voltage (HiPot) of 1500Vrms

“I” with Extended Temperature(-40°C to +85°C)

“P” With PoE(720mA Current Capability)

“*” 耐压5000Vrms 1mA 60S

EKO TECH CO. LTD.

HEAD OFFICE :

5F-1, 128, Xinhua 2nd. Rd.,

Neihu Chiu, Taipei, Taiwan 114

TEL : 886- 2- 2791- 9208

FAX : 886- 2- 2791- 9271

Email : sales@eko.com.tw

EKO TECH CO. LTD.

100/1000 BASE-T TRANSFORMER MODULES

Design For Long Hual Gigabit Ethernet 100/1000 BASE-TX Full Duplex Applications.

Low Profile Surface Mount Packaging Designed Reflow Process (245°C peak).

Compliant With IEEE 802ab draft standards for 1000Base-T.

For RoHS Compliance.

ELECTRICAL SPECIFICATIONS @ 25°C - Operating Temperature 0°C to 70°C

Part Number	Insertion Loss (dB max)		Return Loss (dB min)				Crosstalk (dB min)			CMRR (dB min)		
	1-100Mhz	1-30MHz	40MHz	50MHz	60MHz	80MHz	1-30MHz	60MHz	100MHz	1-30MHz	60MHz	80-100MHz
GS2420M	-1.0	-18	-18	-14.1	-13.1	-10	-45	-40	-35	-43	-37	-33
GS2421N	-1.0	-18	-18	-14.1	-13.1	-10	-45	-40	-35	-43	-37	-33
*GS2422SIP	-1.0	-18	-18	-14.1	-13.1	-10	-45	-40	-35	-43	-37	-33
GS2423PIP	-1.0	-18	-18	-14.1	-13.1	-10	-40	-35	-30	-40	-40	-40
GS2425K	-1.1	-18	-16	-14.1	-12.5	-10	-45	-40	-35	-43	-37	-33
GS2424PPR	-1.2	-16	-16	-10+20*LOG10(F/80 MHZ)			-50	-55+22*LOG10(F/10)		-50	-15+20*LOG10(F/200)	
GS2425K	-1.0	-18	-14.4	-14.1	-12	-12	-40	-33	-33	-30	\	\
GS2426BI	-1.0	-18	-14.4	-14.1	-12	-12	-40	-33	-33	-30	\	\
GS2427SIP	-1.1	-16	-16	-14.1	-12.5	-10	-34.8	-29.8	-27	-40	-35	-30
GS2428AP	-1.0	-18	-18	-16	-12	-10	-43	-37	-33	-43	-37	-33
GS2429SIP	-1.0	-16	-16	-14.1	-12.5	-10	-35.8	-30.8	-28	-42	-37	-33
GS2430AI	-1.1	-18	-12	-12	-10	-10	-40	-35	-30	-43	-37	-33
GS2431S	-1.0	-18	-14.4	-14.1	-12	-12	-40	-33	-33	-30	\	\
GS2432JIP	-1.1	-16	-16	-14.1	-12.5	-10	-34.8	-29.8	-27	-40	-35	-30
GS2433CIP	-1.0	-18	-18	-16	-12	-10	-43	-37	-33	-43	-37	-33
GS2434JIP	-1.0	-16	-16	-14.1	-12.5	-10	-35.8	-30.8	-28	-42	-37	-33

Note : Isolation Voltage (HiPot) of 1500Vrms

“**I**” with Extended Temperature(-40°C to +85°C)

“**P**” With PoE(720mA Current Capability)

“ * ” 耐压5000Vrms 1mA 60S

EKO TECH CO. LTD.

HEAD OFFICE :

5F-1, 128, Xinhu 2nd. Rd.,

Neihu Chiu, Taipei, Taiwan 114

TEL : 886- 2- 2791- 9208

FAX : 886- 2- 2791- 9271

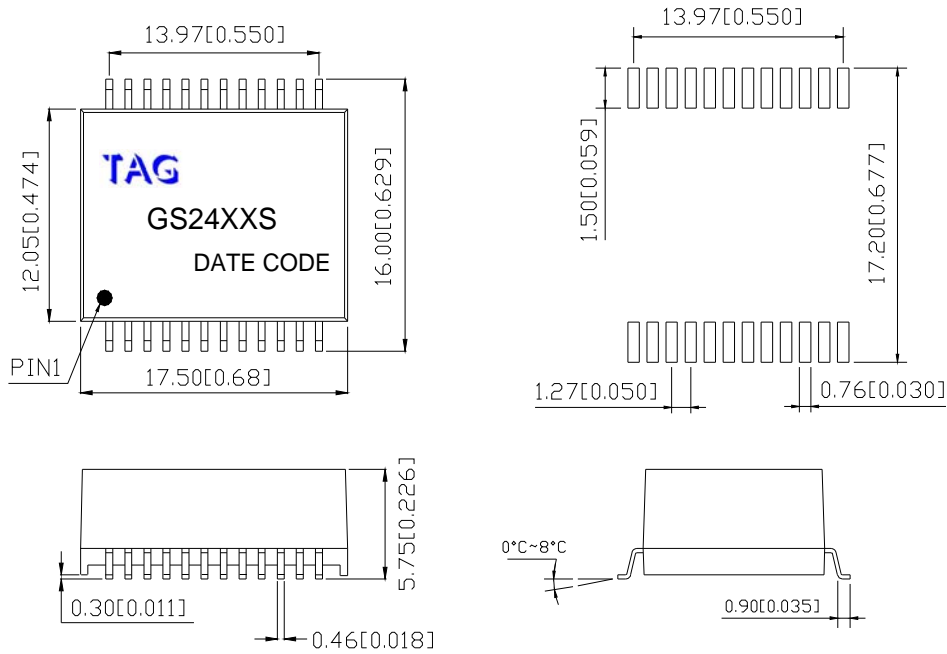
Email : sales@eko.com.tw

EKO TECH CO. LTD.

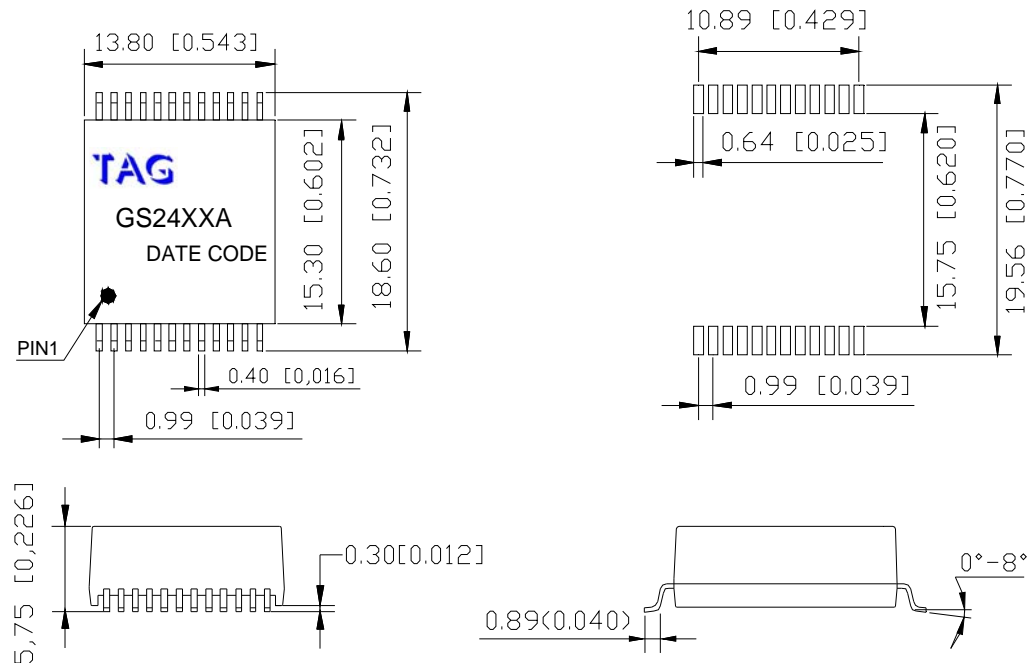
100/1000 BASE-T TRANSFORMER MODULES

MECHANICAL SPECIFICATIONS

GS24XXS \ GS24XXSP \ GS24XXSIP



GS24XXA \ GS24XXAI \ GS24XXAIP



NOTE. DIMENSIONS:MM(INCHES)/UNLESS OTHERWISE SPECIFIED ALL TOLERANCES ARE $\pm 0.25(0.010)$.

EKO TECH CO. LTD.

HEAD OFFICE :

5F-1, 128, Xinhua 2nd. Rd.,

Neihu Chiu, Taipei, Taiwan 114

TEL : 886- 2- 2791- 9208

FAX : 886- 2- 2791- 9271

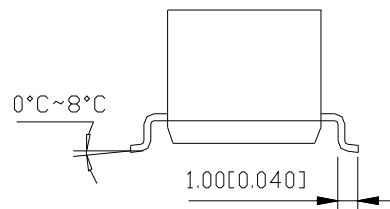
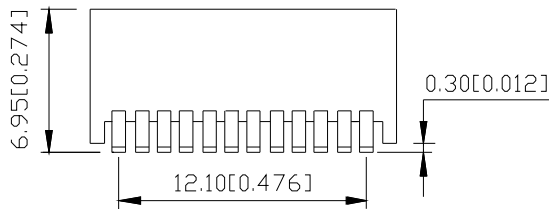
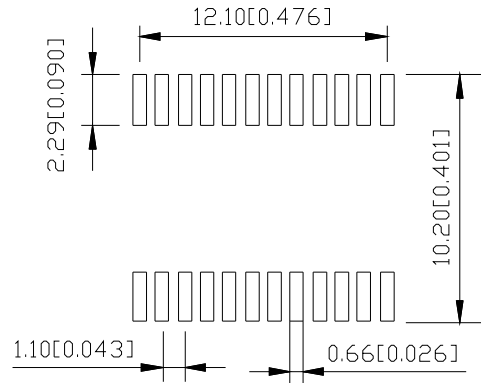
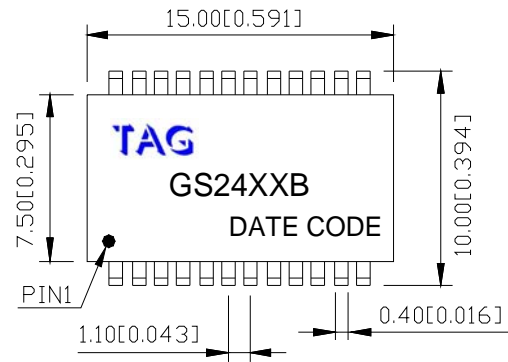
Email : sales@eko.com.tw

EKO TECH CO. LTD.

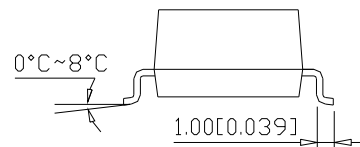
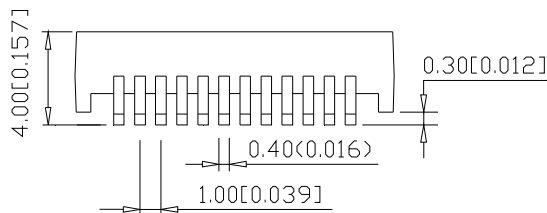
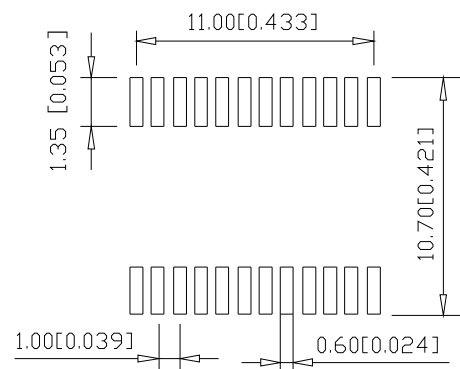
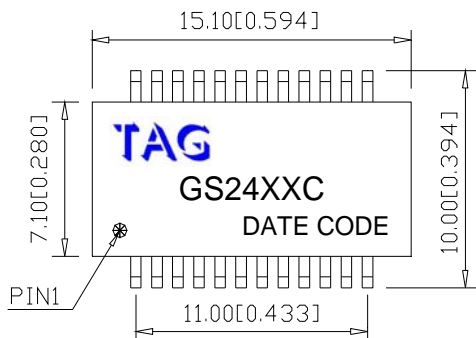
100/1000 BASE-T TRANSFORMER MODULES

MECHANICAL SPECIFICATIONS

GS24XXB \ GS24XXBI \ GS24XXBIP



GS24XXC



NOTE. DIMENSIONS:MM(INCHES)/UNLESS OTHERWISE SPECIFIED ALL TOLERANCES ARE ±0.25(0.010).

EKO TECH CO. LTD.

HEAD OFFICE :

5F-1, 128, Xinhua 2nd. Rd.,

Neihu Chiu, Taipei, Taiwan 114

TEL : 886- 2- 2791- 9208

FAX : 886- 2- 2791- 9271

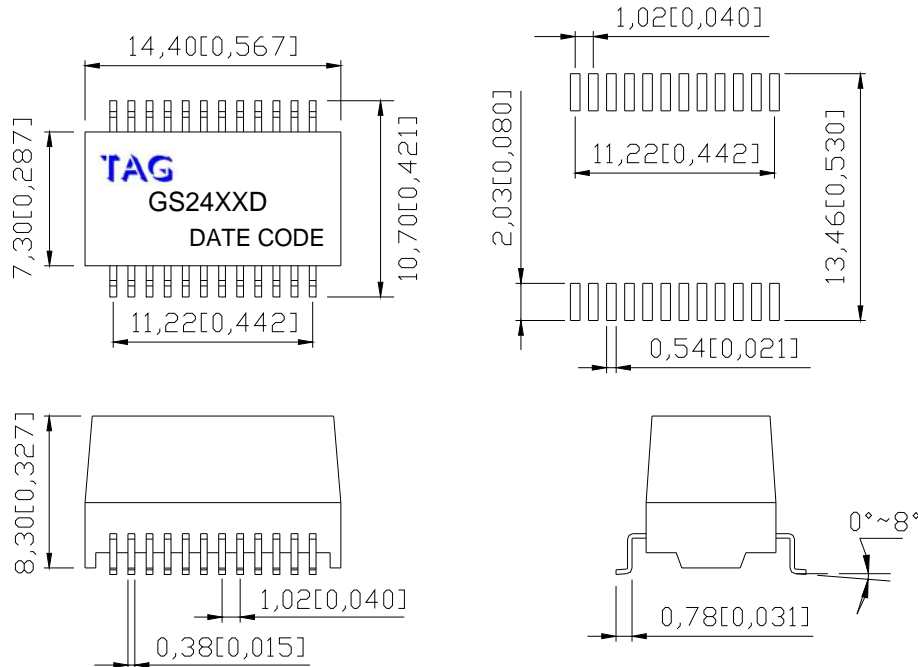
Email : sales@eko.com.tw

EKO TECH CO. LTD.

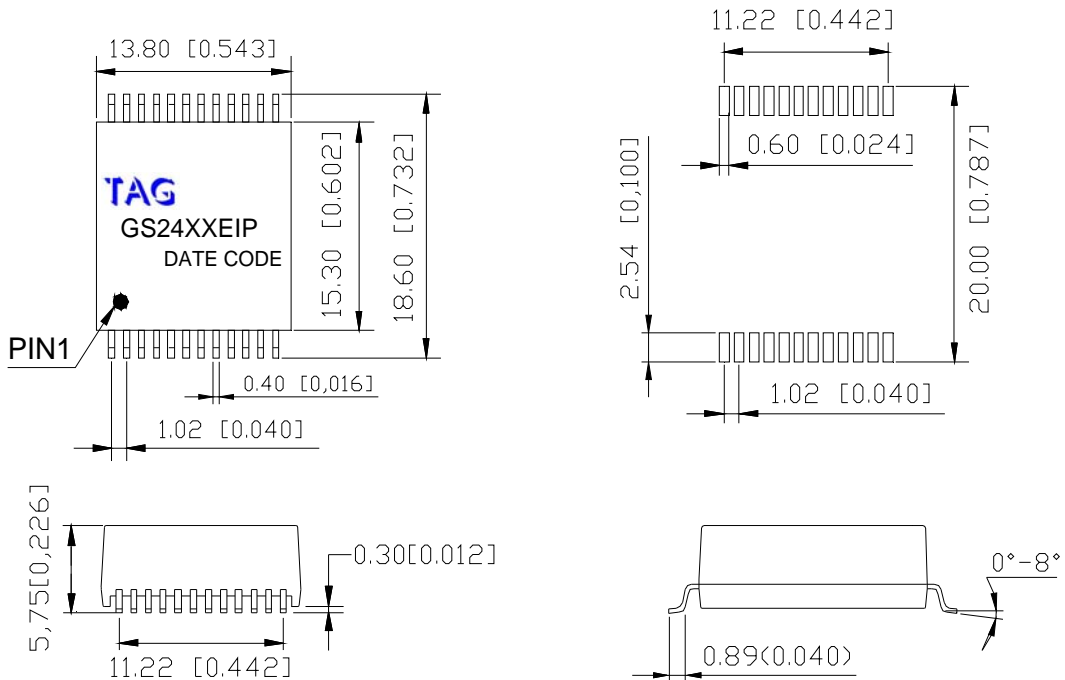
100/1000 BASE-T TRANSFORMER MODULES

MECHANICAL SPECIFICATIONS

GS24XXD



GS24XEIP



NOTE. DIMENSIONS:MM(INCHES)/UNLESS OTHERWISE SPECIFIED ALL TOLERANCES ARE $\pm 0.25(0.010)$.

EKO TECH CO. LTD.

HEAD OFFICE :

5F-1, 128, Xinhu 2nd. Rd.,

Neihu Chiu, Taipei, Taiwan 114

TEL : 886- 2- 2791- 9208

FAX : 886- 2- 2791- 9271

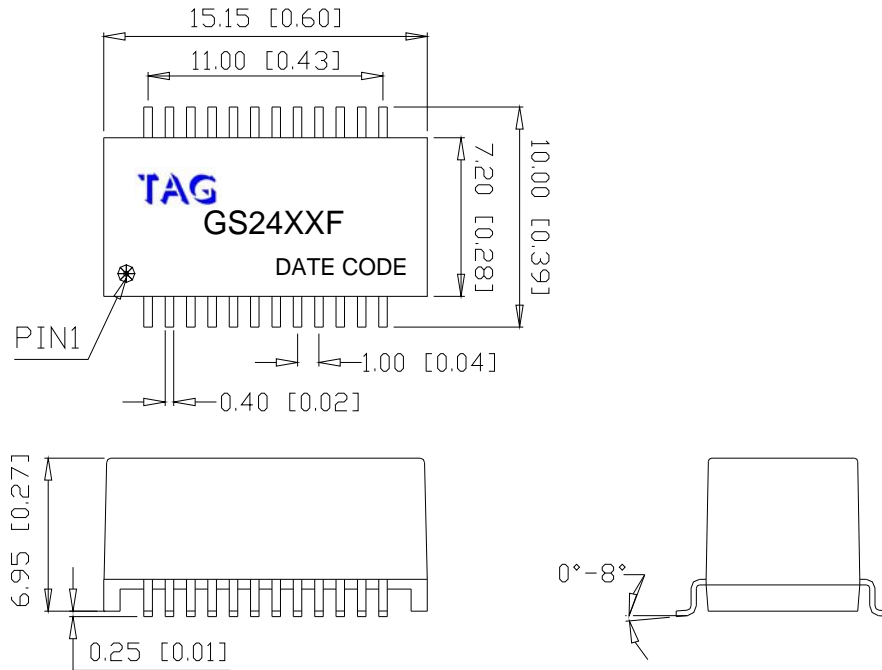
Email : sales@eko.com.tw

EKO TECH CO. LTD.

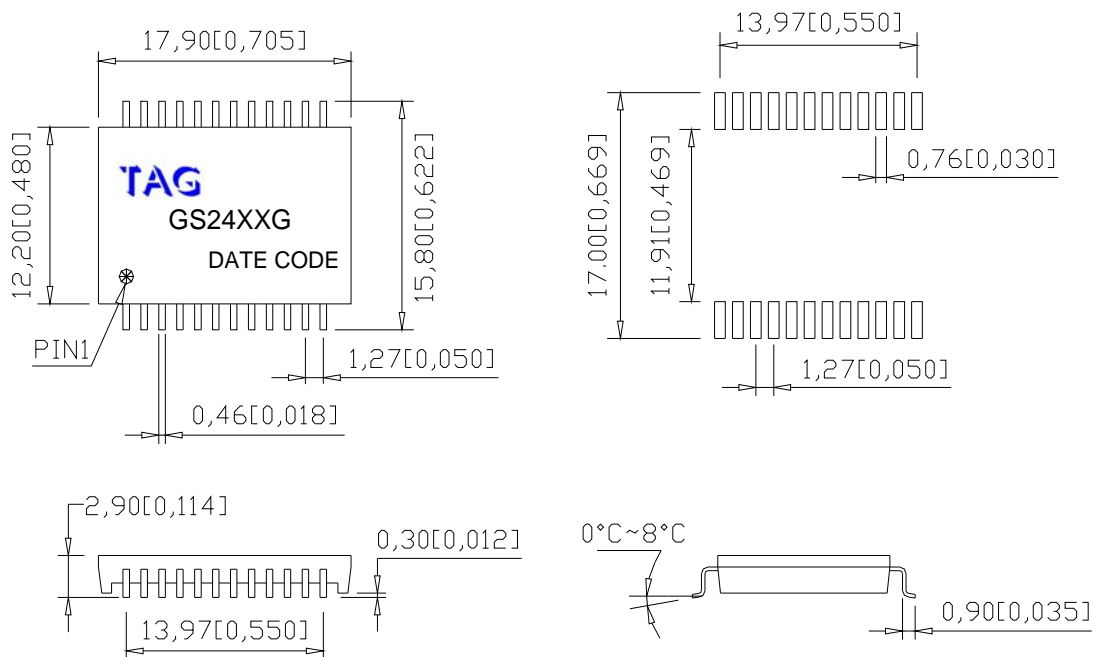
100/1000 BASE-T TRANSFORMER MODULES

MECHANICAL SPECIFICATIONS

GS24XXF



GS24XXG



NOTE. DIMENSIONS:MM(INCHES)/UNLESS OTHERWISE SPECIFIED ALL TOLERANCES ARE $\pm 0.25(0.010)$.

EKO TECH CO. LTD.

HEAD OFFICE :

5F-1, 128, Xinhu 2nd. Rd.,

Neihu Chiu, Taipei, Taiwan 114

TEL : 886- 2- 2791- 9208

FAX : 886- 2- 2791- 9271

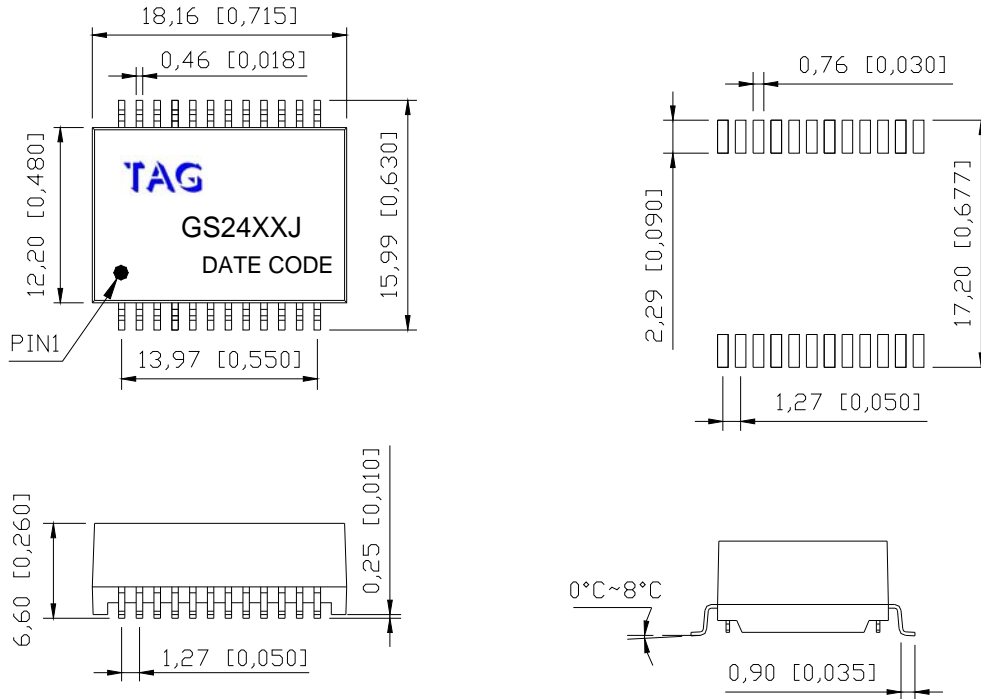
Email : sales@eko.com.tw

EKO TECH CO. LTD.

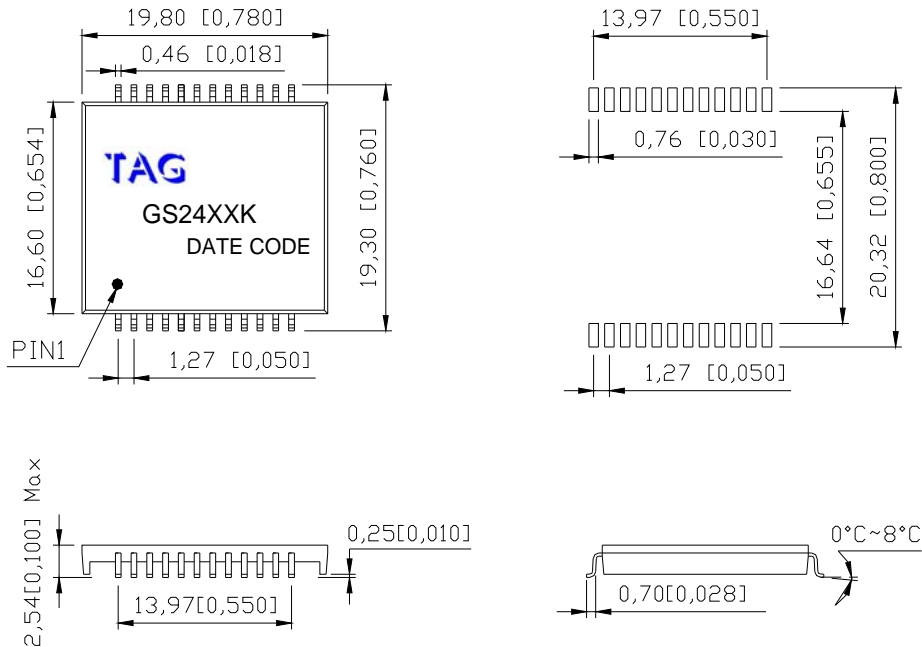
100/1000 BASE-T TRANSFORMER MODULES

MECHANICAL SPECIFICATIONS

GS24XXJ\GS2401JX\GS24XXJIP\GS24XXJIPR



GS24XXK



NOTE. DIMENSIONS:MM(INCHES)/UNLESS OTHERWISE SPECIFIED ALL TOLERANCES ARE $\pm 0.25(0.010)$.

EKO TECH CO. LTD.

HEAD OFFICE :

5F-1, 128, Xinhua 2nd. Rd.,

Neihu Chiu, Taipei, Taiwan 114

TEL : 886- 2- 2791- 9208

FAX : 886- 2- 2791- 9271

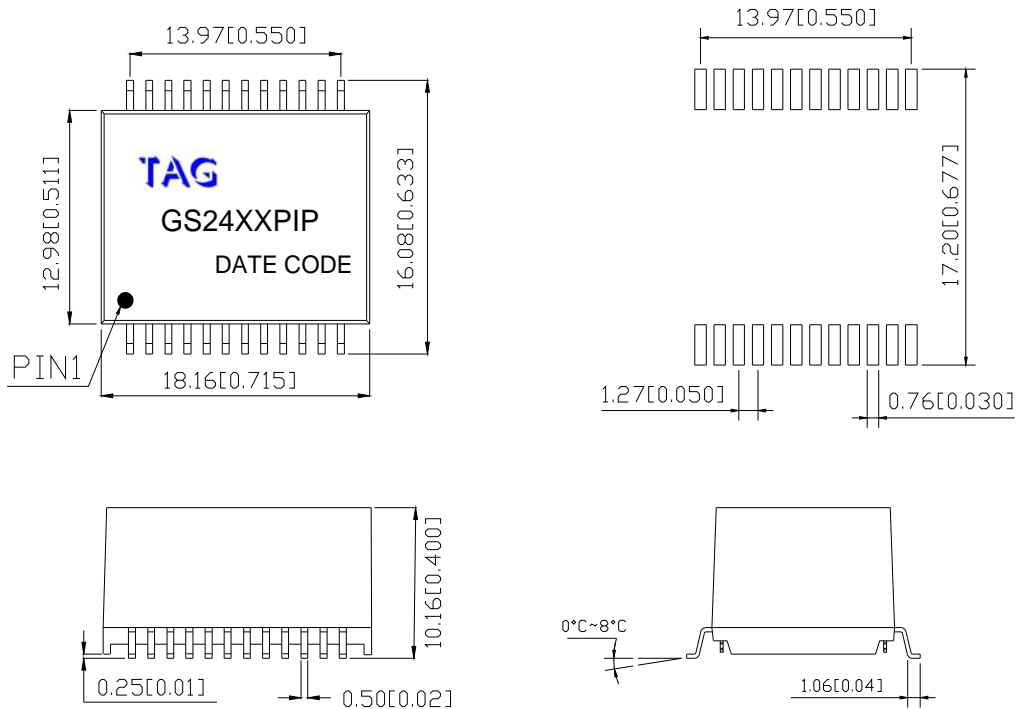
Email : sales@eko.com.tw

EKO TECH CO. LTD.

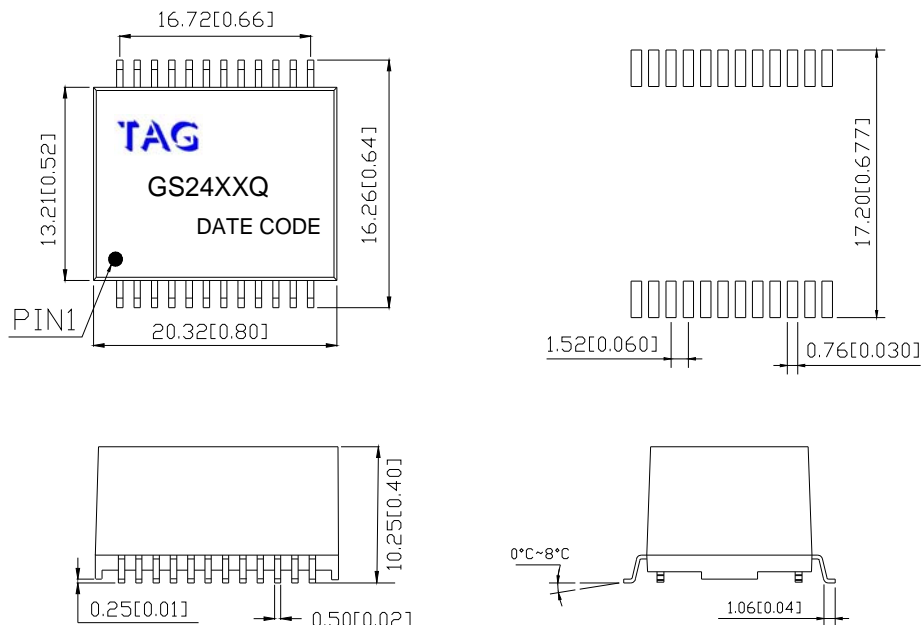
100/1000 BASE-T TRANSFORMER MODULES

MECHANICAL SPECIFICATIONS

GS24XXPIP



GS24XXQ



NOTE. DIMENSIONS:MM(INCHES)/UNLESS OTHERWISE SPECIFIED ALL TOLERANCES ARE $\pm 0.25(0.010)$.

EKO TECH CO. LTD.

HEAD OFFICE :

5F-1, 128, Xinhu 2nd. Rd.,

Neihu Chiu, Taipei, Taiwan 114

TEL : 886- 2- 2791- 9208

FAX : 886- 2- 2791- 9271

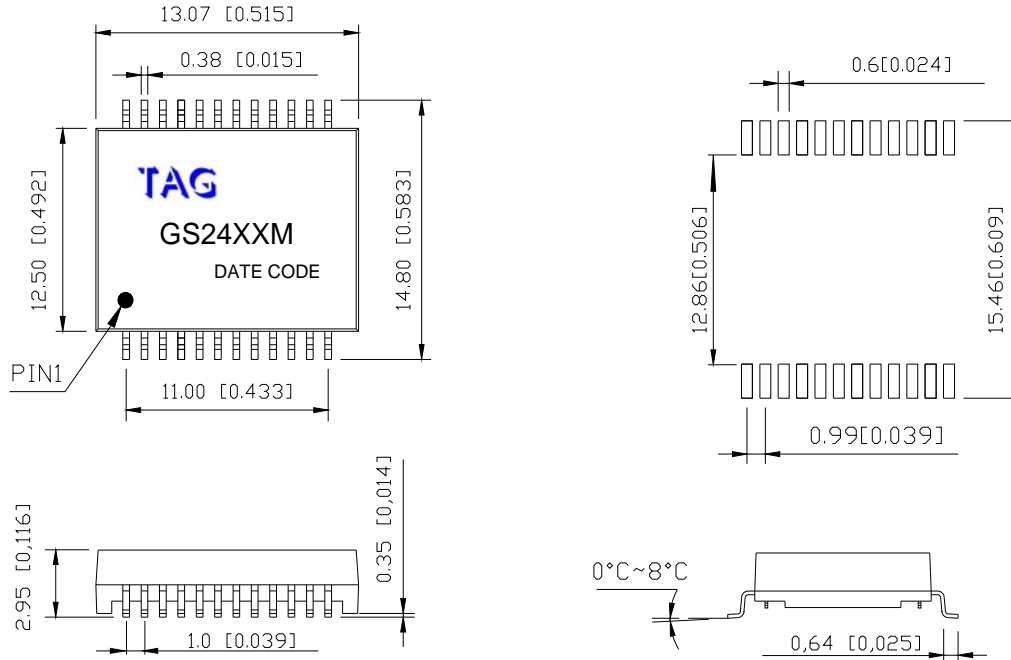
Email : sales@eko.com.tw

EKO TECH CO. LTD.

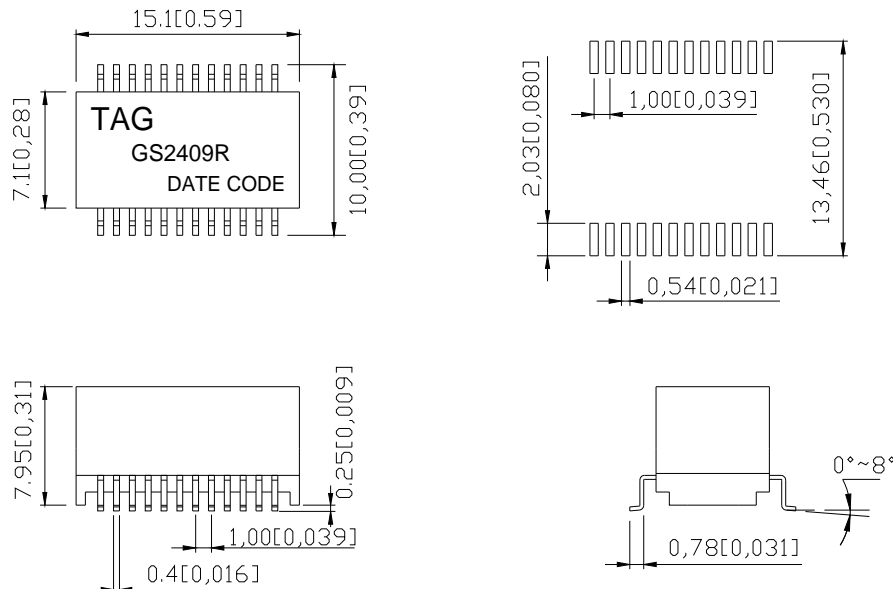
100/1000 BASE-T TRANSFORMER MODULES

MECHANICAL SPECIFICATIONS

GS24XXM



GS24XXR



NOTE. DIMENSIONS:MM(INCHES)/UNLESS OTHERWISE SPECIFIED ALL TOLERANCES ARE $\pm 0.25(0.010)$.

EKO TECH CO. LTD.

HEAD OFFICE :

5F-1, 128, Xinhu 2nd. Rd.,

Neihu Chiu, Taipei, Taiwan 114

TEL : 886- 2- 2791- 9208

FAX : 886- 2- 2791- 9271

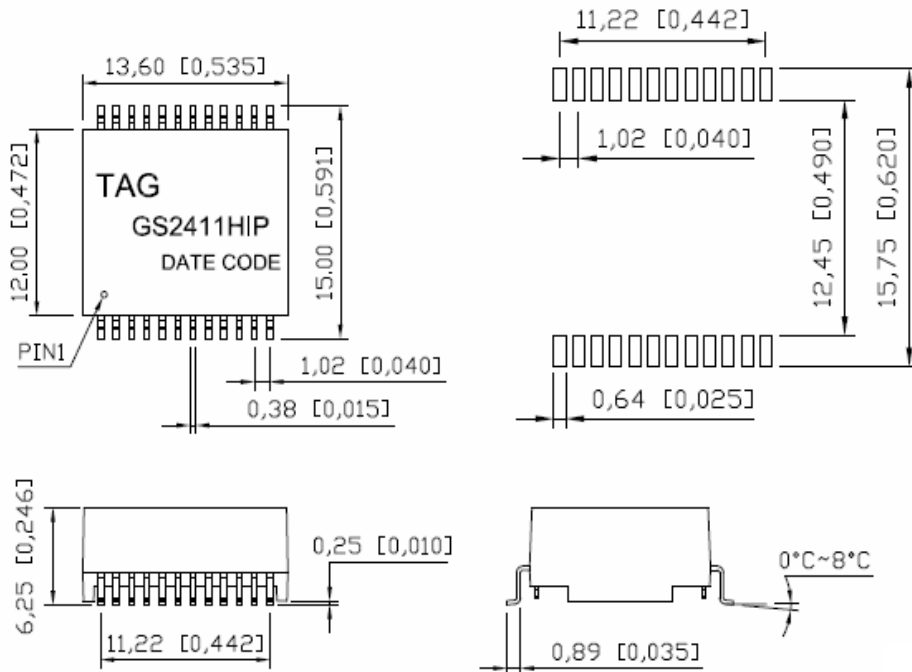
Email : sales@eko.com.tw

EKO TECH CO. LTD.

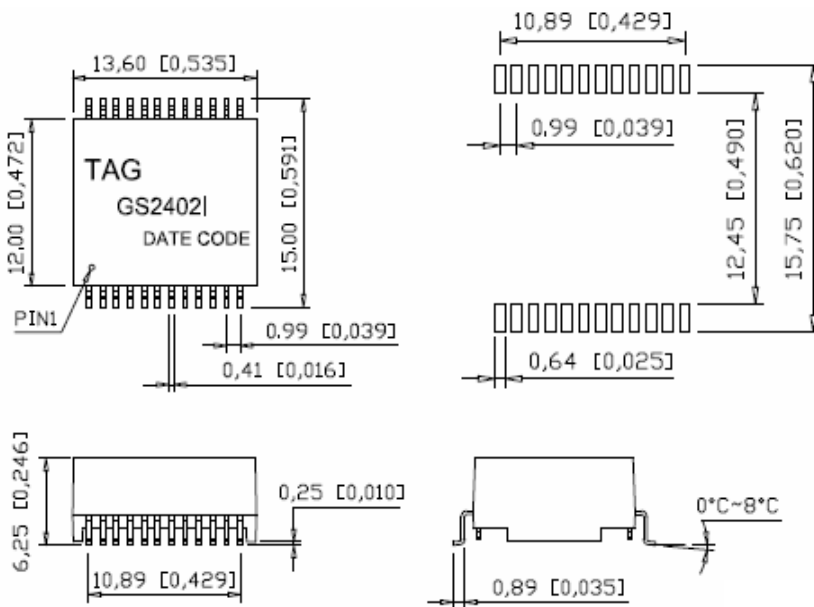
100/1000 BASE-T TRANSFORMER MODULES

MECHANICAL SPECIFICATIONS

GS24XXH



GS24XXI



NOTE. DIMENSIONS:MM(INCHES)/UNLESS OTHERWISE SPECIFIED ALL TOLERANCES ARE $\pm 0.25(0.010)$.

EKO TECH CO. LTD.

HEAD OFFICE :

5F-1, 128, Xinhu 2nd. Rd.,

Neihu Chiu, Taipei, Taiwan 114

TEL : 886- 2- 2791- 9208

FAX : 886- 2- 2791- 9271

Email : sales@eko.com.tw

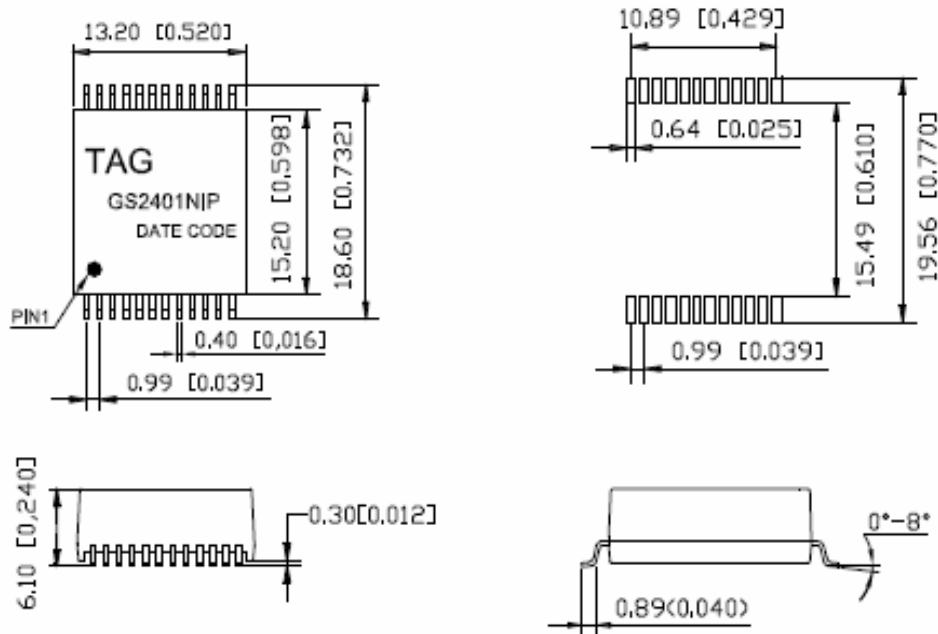
Data subject to change without notice. Please contact Tag for assistance locating product specifications

EKO TECH CO. LTD.

100/1000 BASE-T TRANSFORMER MODULES

MECHANICAL SPECIFICATIONS

GS24XXN



NOTE. DIMENSIONS:MM(INCHES)/UNLESS OTHERWISE SPECIFIED ALL TOLERANCES ARE $\pm 0.25(0.010)$.

EKO TECH CO. LTD.

HEAD OFFICE :

5F-1, 128, Xinhu 2nd. Rd.,

Neihu Chiu, Taipei, Taiwan 114

TEL : 886- 2- 2791- 9208

FAX : 886- 2- 2791- 9271

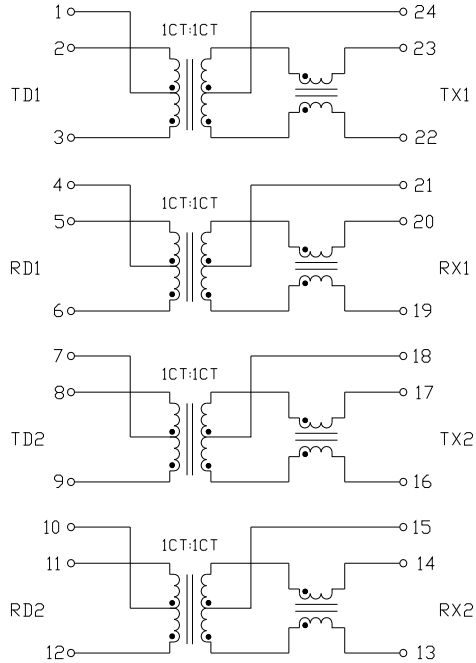
Email : sales@eko.com.tw

EKO TECH CO. LTD.

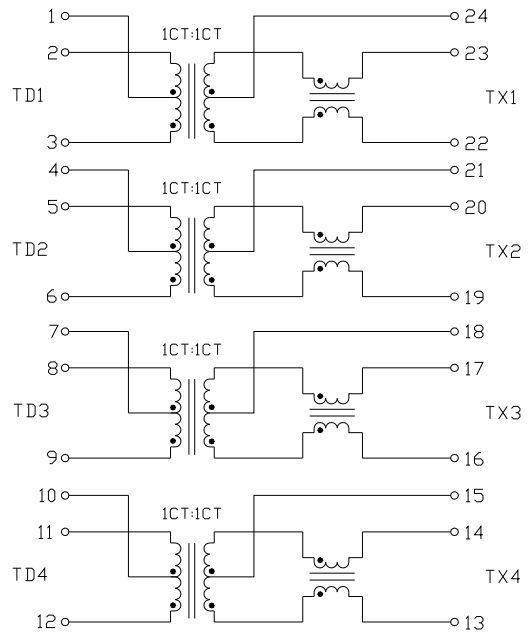
100/1000 BASE-T TRANSFORMER MODULES

SCHEMATICS

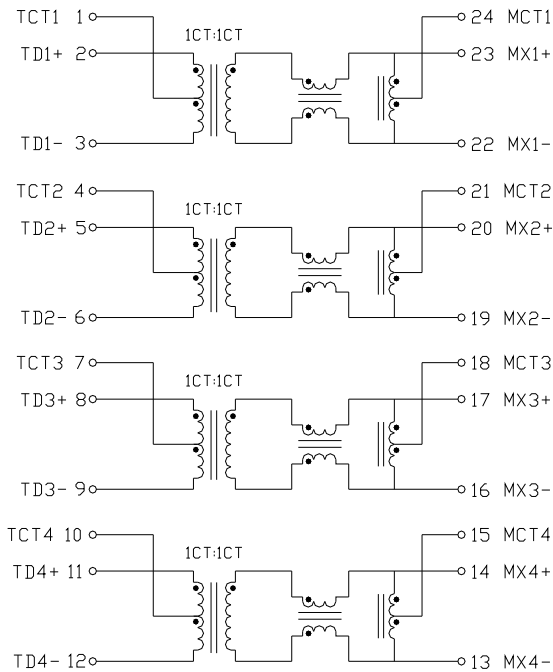
GS2401X \ GS2401XX \ GS2401XXX



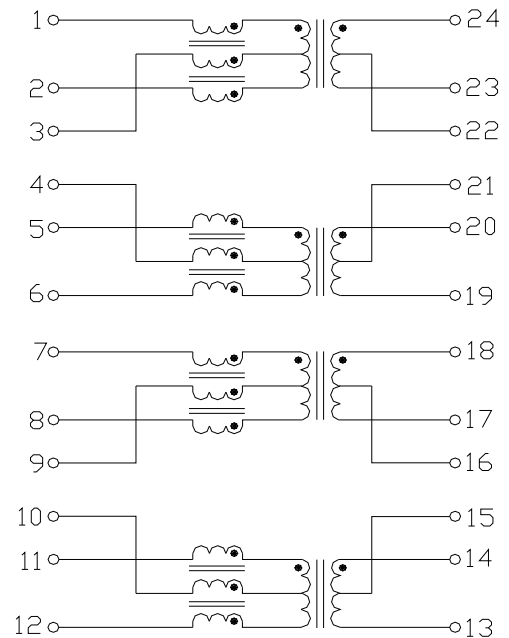
GS2402X \ GS2402XX \ GS2402XXX



GS2403X \ GS2403XX \ GS2403XXX



GS2404X



EKO TECH CO. LTD.

HEAD OFFICE :

5F-1, 128, Xinhu 2nd. Rd.,

Neihu Chiu, Taipei, Taiwan 114

TEL : 886- 2- 2791- 9208

FAX : 886- 2- 2791- 9271

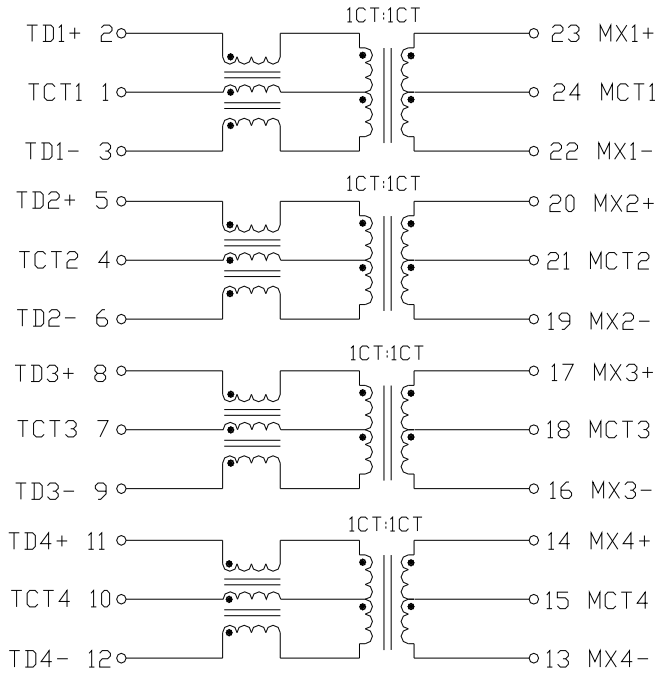
Email : sales@eko.com.tw

EKO TECH CO. LTD.

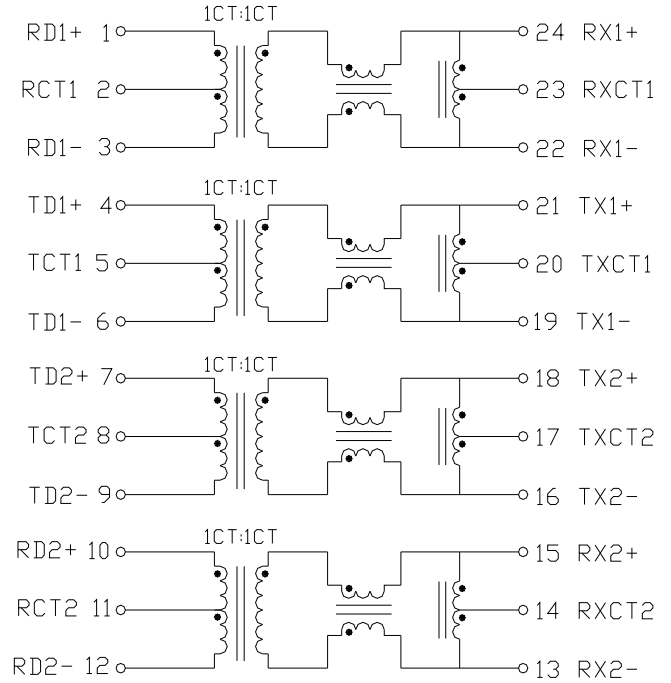
100/1000 BASE-T TRANSFORMER MODULES

SCHEMATICS

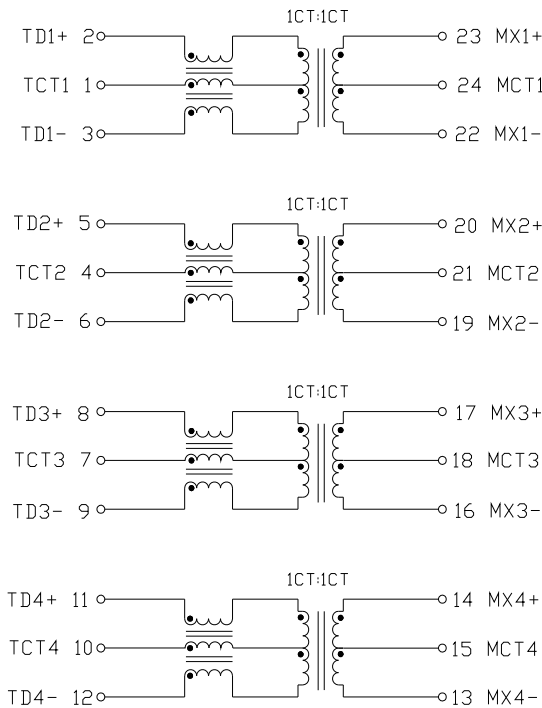
GS2405X\GS2405XX\GS2405XXX\GS2405XXX



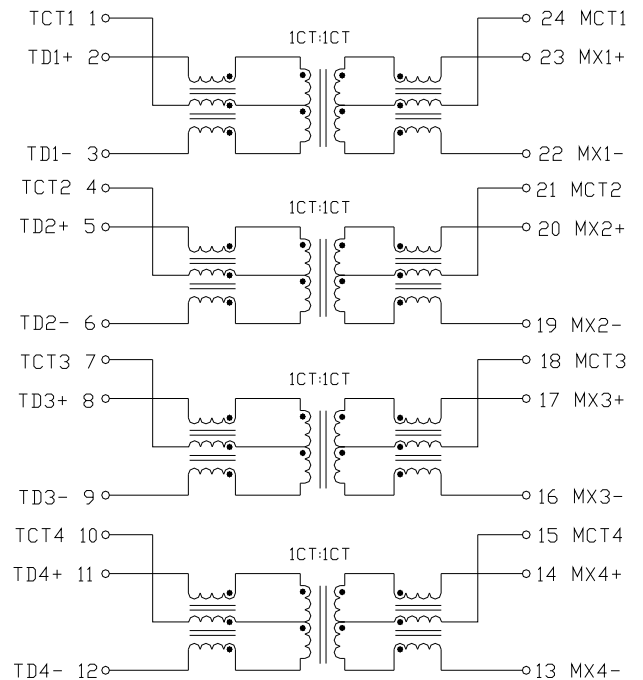
GS2406XX



GS2407XX



GS2408X



EKO TECH CO. LTD.

HEAD OFFICE :

5F-1, 128, Xinhu 2nd. Rd.,

Neihu Chiu, Taipei, Taiwan 114

TEL : 886- 2- 2791- 9208

FAX : 886- 2- 2791- 9271

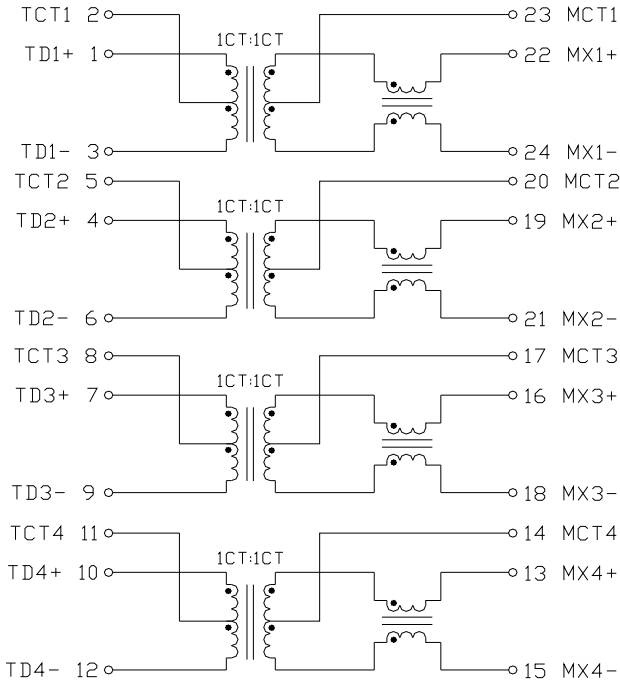
Email : sales@eko.com.tw

EKO TECH CO. LTD.

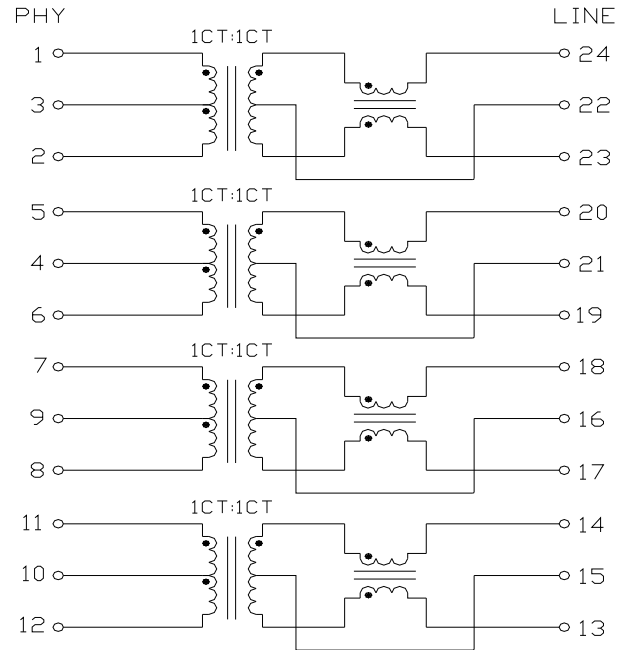
100/1000 BASE-T TRANSFORMER MODULES

SCHEMATICS

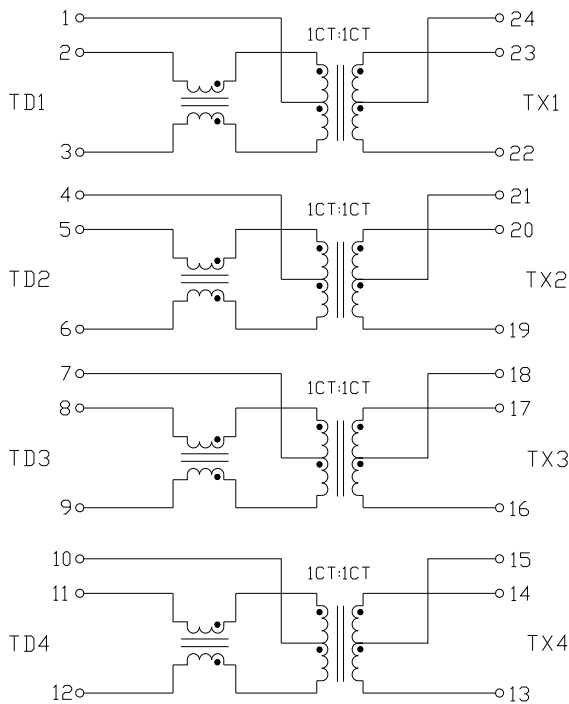
GS2409X



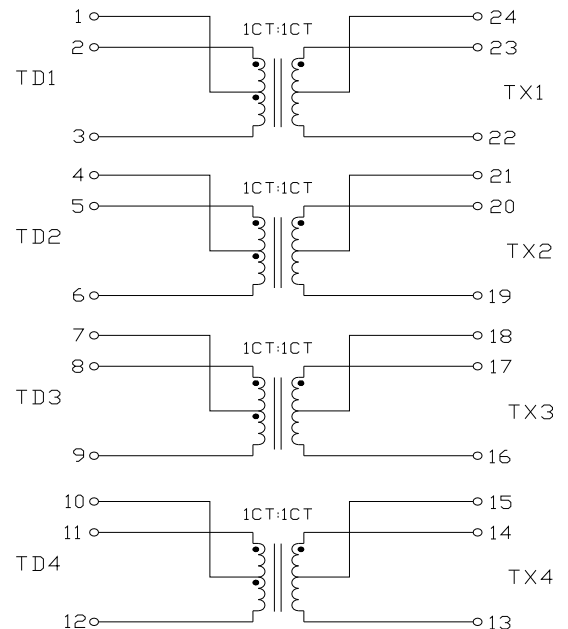
GS2410XX \ GS2410XXX



GS2411XXX



GS2412X/GS2412XXX



EKO TECH CO. LTD.

HEAD OFFICE :

5F-1, 128, Xinhu 2nd. Rd.,

Neihu Chiu, Taipei, Taiwan 114

TEL : 886- 2- 2791- 9208

FAX : 886- 2- 2791- 9271

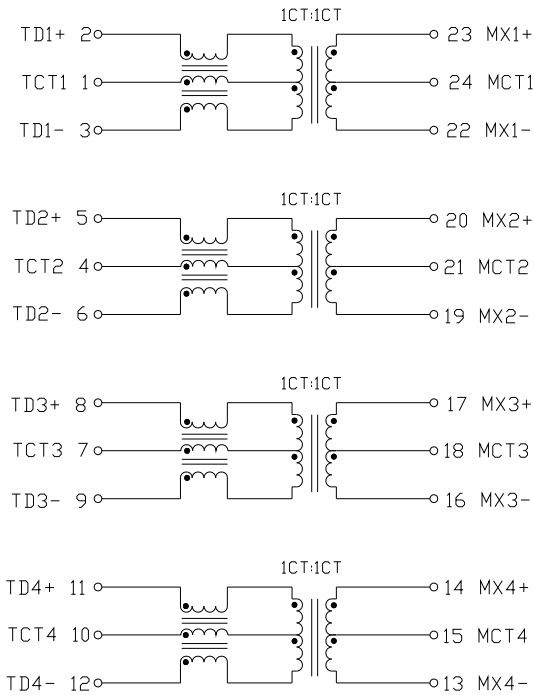
Email : sales@eko.com.tw

EKO TECH CO. LTD.

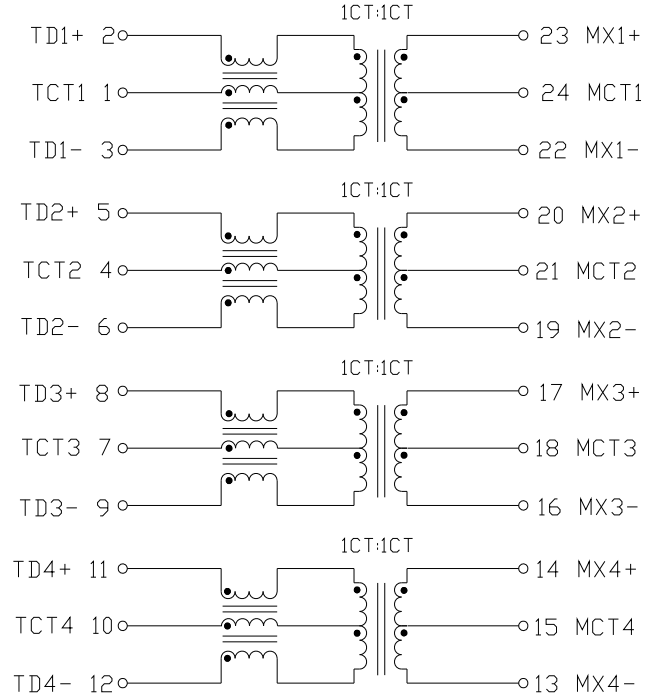
100/1000 BASE-T TRANSFORMER MODULES

SCHEMATICS

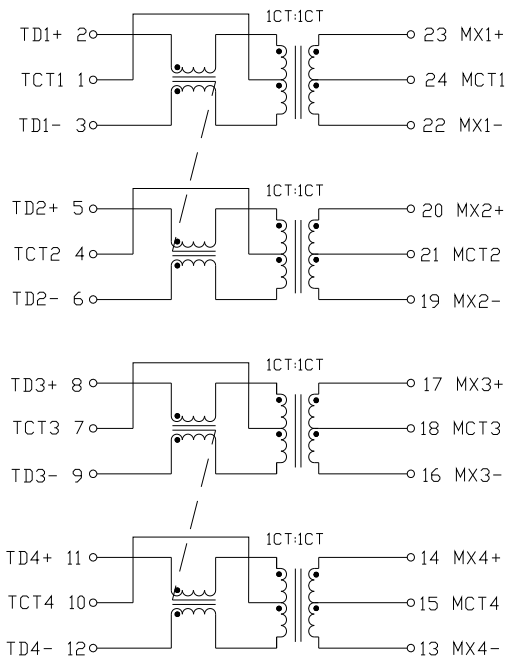
GS2413XXX



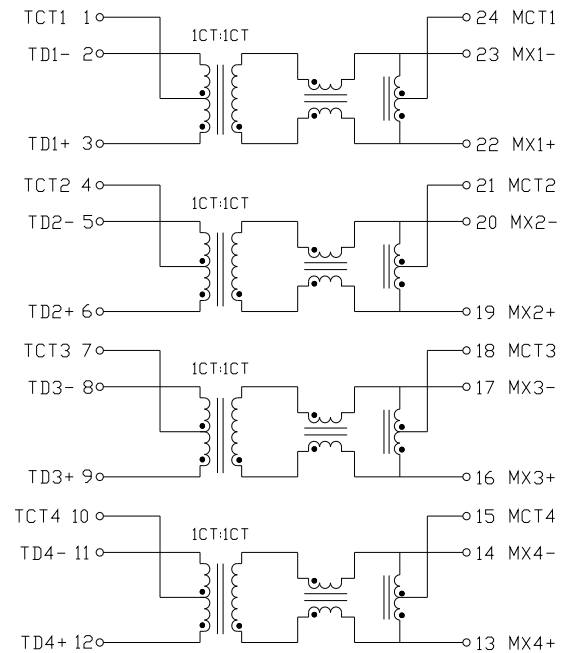
GS2414XXX



GS2415XXX



GS2416XXX



EKO TECH CO. LTD.

HEAD OFFICE :

5F-1, 128, Xinhu 2nd. Rd.,

Neihu Chiu, Taipei, Taiwan 114

TEL : 886- 2- 2791- 9208

FAX : 886- 2- 2791- 9271

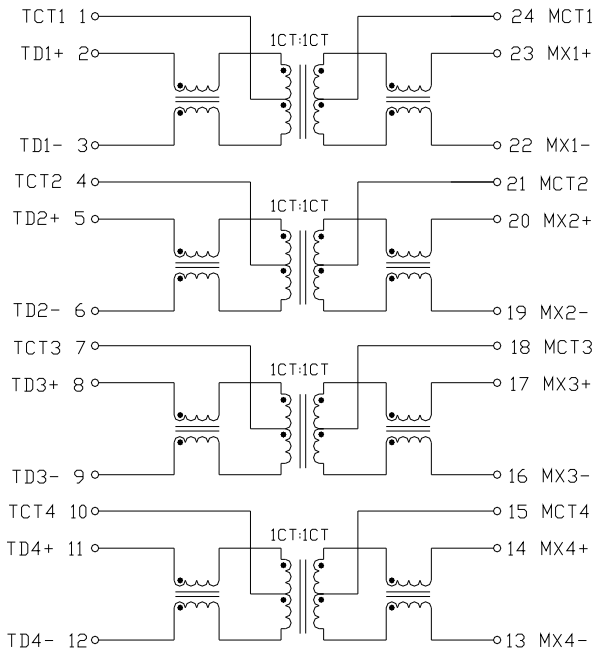
Email : sales@eko.com.tw

EKO TECH CO. LTD.

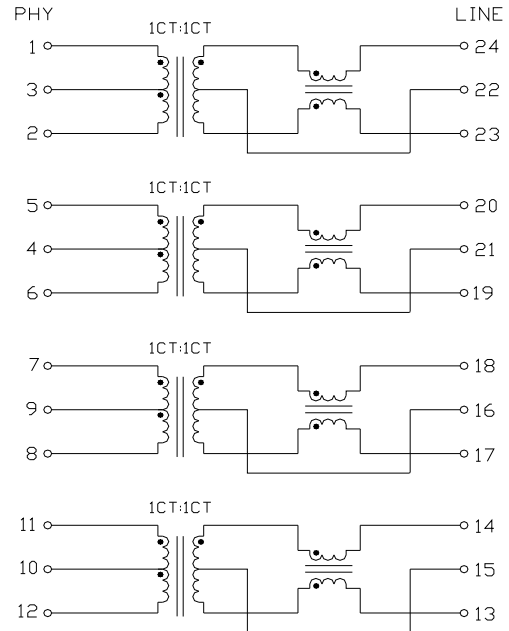
100/1000 BASE-T TRANSFORMER MODULES

SCHEMATICS

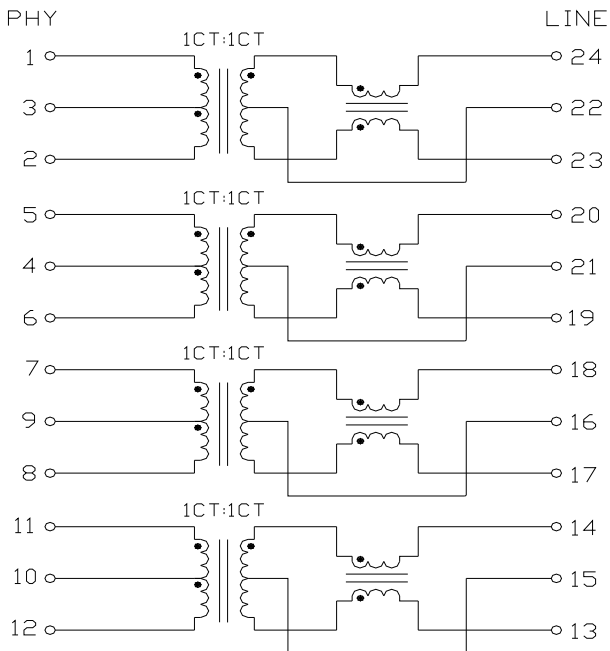
GS2417XX \ GS2417XXX



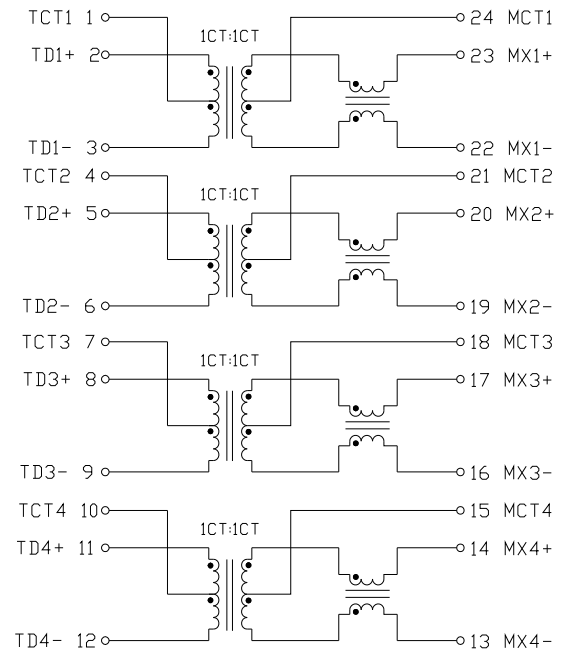
GS2418XXX



GS2419XXX



GS2420XXX



EKO TECH CO. LTD.

HEAD OFFICE :

5F-1, 128, Xinhua 2nd. Rd.,

Neihu Chiu, Taipei, Taiwan 114

TEL : 886- 2- 2791- 9208

FAX : 886- 2- 2791- 9271

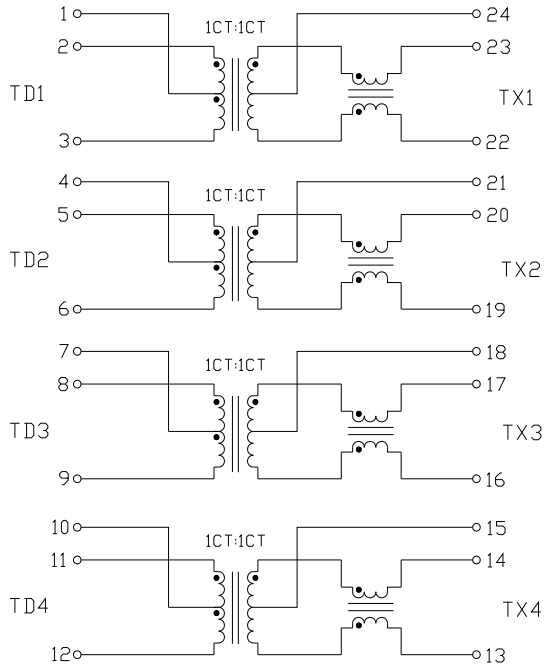
Email : sales@eko.com.tw

EKO TECH CO. LTD.

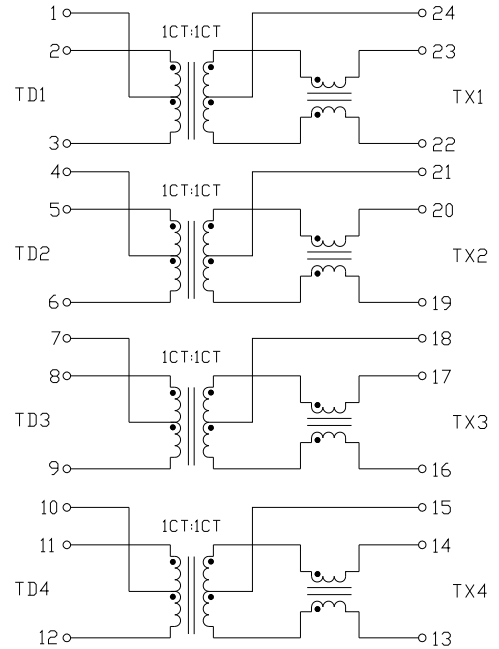
100/1000 BASE-T TRANSFORMER MODULES

SCHEMATICS

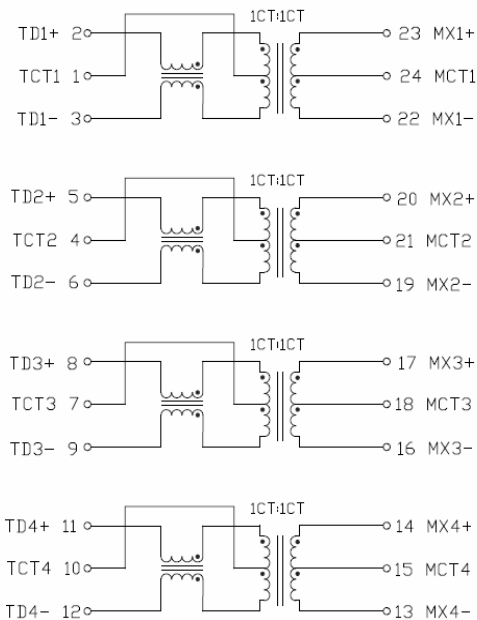
GS2422X



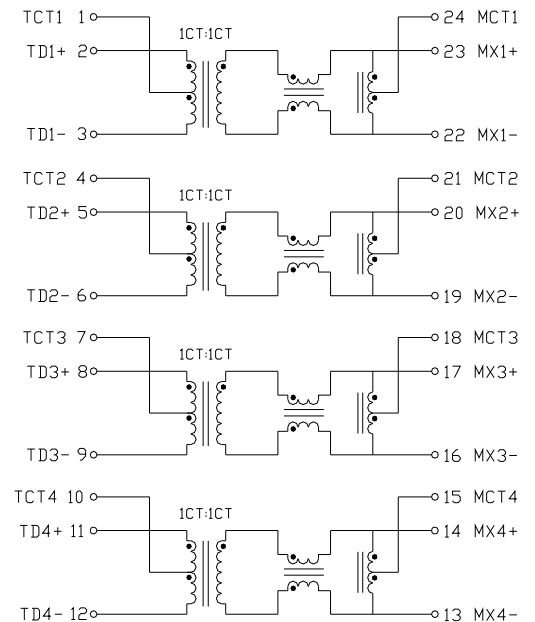
GS2423X



GS2424X



GS2425X



EKO TECH CO. LTD.

HEAD OFFICE :

5F-1, 128, Xinhu 2nd. Rd.,

Neihu Chiu, Taipei, Taiwan 114

TEL : 886- 2- 2791- 9208

FAX : 886- 2- 2791- 9271

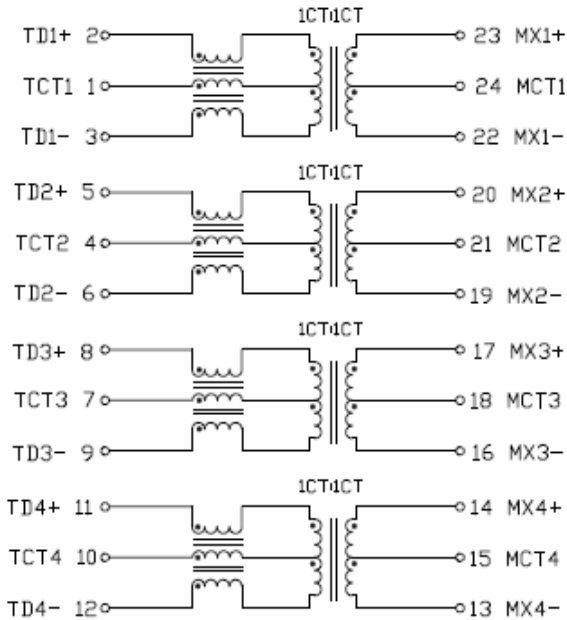
Email : sales@eko.com.tw

EKO TECH CO. LTD.

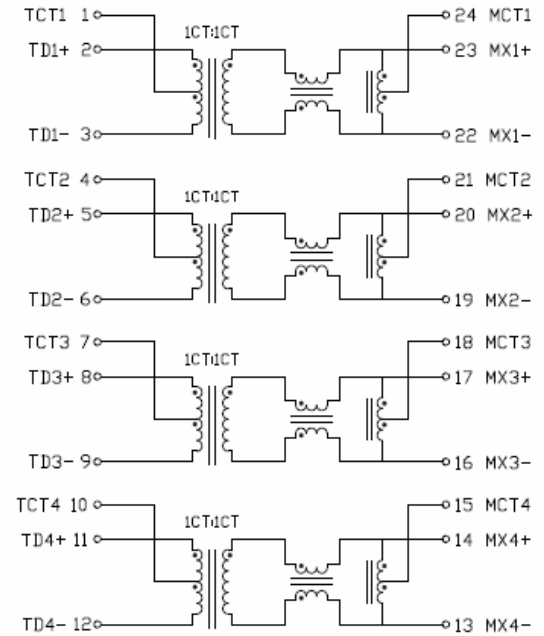
100/1000 BASE-T TRANSFORMER MODULES

SCHEMATICS

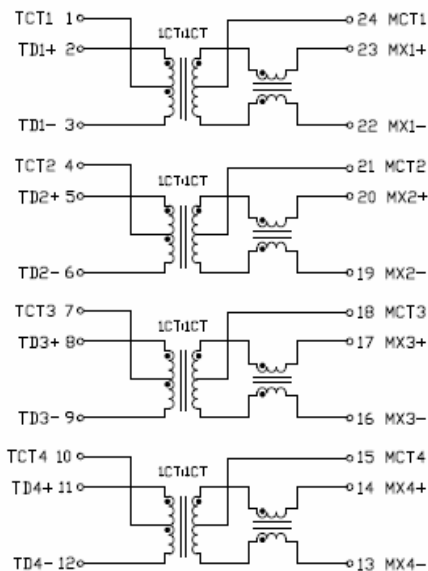
GS2426X



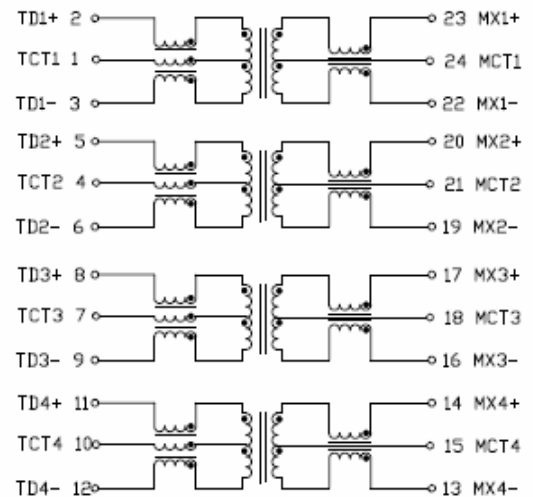
GS2427X



GS2428X



GS2429X



EKO TECH CO. LTD.

HEAD OFFICE :

5F-1, 128, Xinhu 2nd. Rd.,

Neihu Chiu, Taipei, Taiwan 114

TEL : 886- 2- 2791- 9208

FAX : 886- 2- 2791- 9271

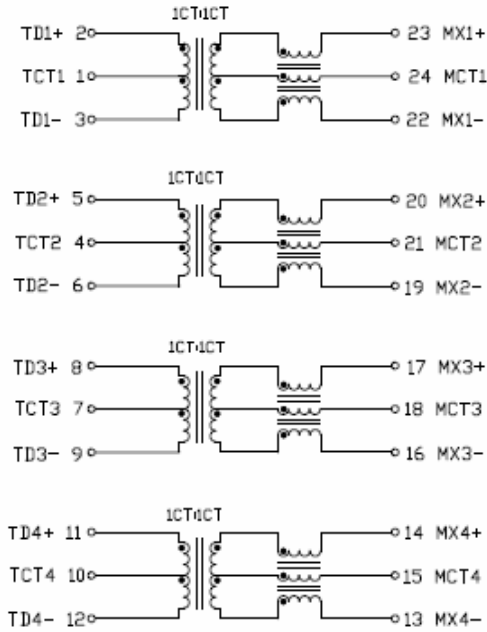
Email : sales@eko.com.tw

EKO TECH CO. LTD.

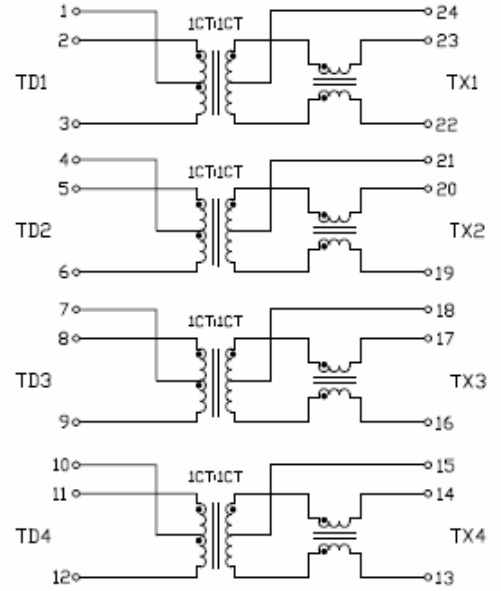
100/1000 BASE-T TRANSFORMER MODULES

SCHEMATICS

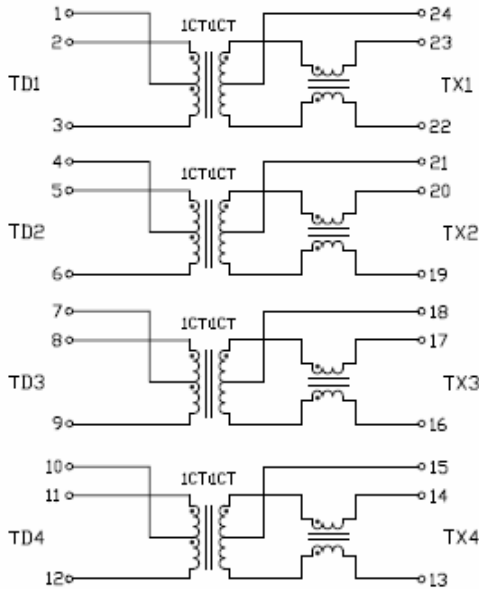
GS2430X



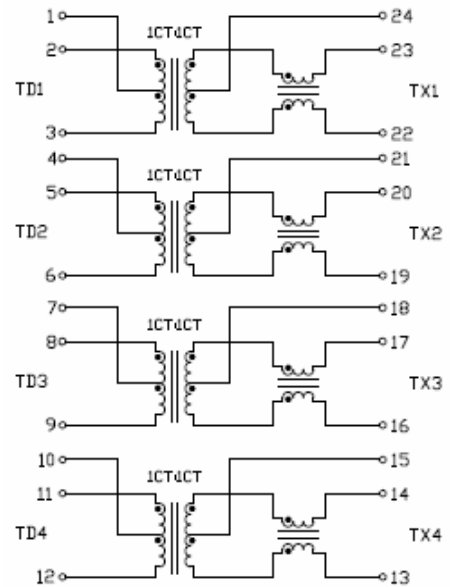
GS2431X



GS2432X



GS2433X



EKO TECH CO. LTD.

HEAD OFFICE :

5F-1, 128, Xinhu 2nd. Rd.,

Neihu Chiu, Taipei, Taiwan 114

TEL : 886- 2- 2791- 9208

FAX : 886- 2- 2791- 9271

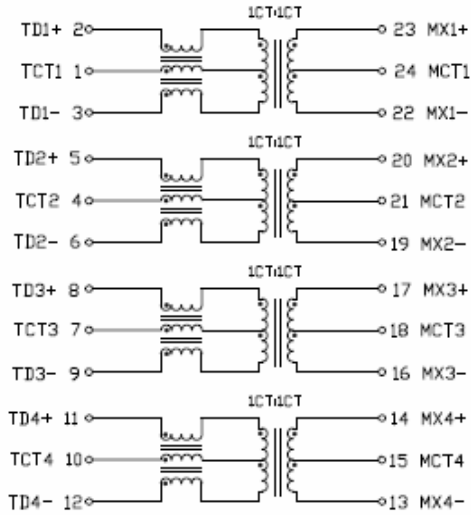
Email : sales@eko.com.tw

EKO TECH CO. LTD.

100/1000 BASE-T TRANSFORMER MODULES

SCHEMATICS

GS2434X



EKO TECH CO. LTD.

HEAD OFFICE :

5F-1, 128, Xinhu 2nd. Rd.,

Neihu Chiu, Taipei, Taiwan 114

TEL : 886- 2- 2791- 9208

FAX : 886- 2- 2791- 9271

Email : sales@eko.com.tw

EKO TECH CO. LTD.

100/1000 BASE-T TRANSFORMER MODULES

IEEE 802.3af/ANSI X3.263 Compliant Performance Applications.

Suitable For End-span and Mid-span PoE Applications.

Quad Port Transformer Modules Designed For IP Phone or Switch Applications.

Power over Ethernet(PoE)Magnetics.

For RoHS Compliance.

ELECTRICAL SPECIFICATIONS @ 25°C - Operating Temperature 0°C to 70°C

Part Number	Insertion Loss (dB max)		Return Loss (dB min)				Crosstalk (dB min)			DCMR (dB min)		
	1-100MHz	1-30MHz	40MHz	50MHz	60MHz	80MHz	1-30MHz	60MHz	100MHz	1-30MHz	60MHz	100MHz
GS4801S	-1.0	-18	-16	-14.1	-12.5	-10	-35.8	-30.8	-28	\	\	\
GS4801SI	-1.0	-16	-16	-14.1	-12.5	-10	-35.8	-30.8	-28	-45	-40	-35
GS4801SP	-1.0	-16	-16	-14.1	-12.5	-10	-35.8	-30.8	-28	-45	-40	-35
GS4802S	-1.4	-16	-14.4	-13.1	-12	-10	-35	-28	-28	\	\	\
GS4802SI	-1.0	-18	-14	-13	-12	-10	-40	-35	-30	\	\	\
GS4802SP	-1.0	-18	-18	-16	-12	-10	-43	-37	-33	-45	-40	-35
GS4802SIP	-1.0	-16	-16	-14.1	-12.5	-10	-35.8	-30.8	-28	-40	-35	-30
GS4802SR	-1.4	-16	-14.4	-13.1	-12	-10	-35.8	-28	-28	\	\	\
GS4803S	-1.0	-16	-14.1	-14.1	-12.5	-10	-35.8	-30.8	-28	\	\	\
GS4803SP	-1.2	-16	-16	-14.1	-12.5	-10	-35.8	-30.8	-28	-43	-37	-33
GS4803SIP	-1.2	-16	-16	-14.1	-12.5	-10	-35.8	-30.8	-28	-43	-37	-33
GS4804A	-1.0	-18	-18	-18	-12	-10	-43	-37	-33	-45	-40	-35
GS4804S	-1.4	-18	-18	-16	-12	-10	-43	-37	-33	\	\	\
GS4804SIP	-1.0	-16	-16	-14.1	-12.5	-10	-35.8	-30.8	-45	\	\	\

Note : Isolation Voltage (HiPot) of 1500Vrms

“I” with Extended Temperature(-40°C to +85°C)

“P” With POE(720mA Current Capability)

EKO TECH CO. LTD.

HEAD OFFICE :

TEL : 886- 2- 2791- 9208

5F-1, 128, Xinhu 2nd. Rd.,

FAX : 886- 2- 2791- 9271

Neihu Chiu, Taipei, Taiwan 114

Email : sales@eko.com.tw

Data subject to change without notice. Please contact Tag for assistance locating product specifications

EKO TECH CO. LTD.

100/1000 BASE-T TRANSFORMER MODULES

IEEE 802.3af/ANSI X3.263 Compliant Performance Applications.

Suitable For End-span and Mid-span PoE Applications.

Quad Port Transformer Modules Designed For IP Phone or Switch Applications.

Power over Ethernet(PoE)Magnetics.

For RoHS Compliance.

ELECTRICAL SPECIFICATIONS @ 25°C - Operating Temperature 0°C to 70°C

Part Number	Insertion Loss (dB max)		Return Loss (dB min)				Crosstalk (dB min)			DCMR (dB min)		
	1-100Mhz	1-30MHz	40MHz	50MHz	60MHz	80MHz	1-30MHz	60MHz	100MHz	1-30MHz	60MHz	100MHz
GS4804SP	-1.0	-16	-16	-14.1	-12.5	-10	-35.8	-30.8	-28	\	\	\
GS4805AP	-1.2	-16	-16	-14.1	-12.5	-10	-35.8	-30.8	-28	-43	-37	-33
GS4805SI	-1.2	-16	-16	-14.1	-12.5	-10	-35.8	-30.8	-28	-43	-37	-33
GS4805SP	-1.2	-16	-16	-14.1	-12.5	-10	-35.8	-30.8	-28	-43	-37	-33
GS4806S	-1.2	-16	-16	-14.1	-12.5	-10	-45	-40	-35	-43	-37	-33
GS4807S	-1.0	-16	-16	-14.1	-12.5	-10	-35.8	-30.8	-28	-45	-40	-35
GS4808S	-1.2	-16	-14.4	-13.1	-12.5	-10	-35.8	-30.8	-28	\	\	\
GS4808SP	-1.4	-16	-14.4	-13.1	-12	-10	-38	-38	-38	\	\	\
GS4809SIP *	-1.2	-16	-16	-14.1	-12.5	-10	-35.8	-30.8	-28	-40	-35	-30
GS4810SIP *	-1.2	-16	-16	-14.1	-12.5	-10	-35.8	-30.8	-28	-40	-35	-30
GS4811SP	-1.2	-16	-16	-14.1	-12.5	-10	-35.8	-30.8	-28	-43	-37	-33
GS4811SIP	-1.2	-16	-16	-14.1	-12.5	-10	-35.8	-30.8	-28	-43	-37	-33
GS4812SIP	-1.2	-16	-16	-14.1	-12.5	-10	-35.8	-30.8	-28	-40	-35	-30
GS4813SIP	-1.2	-16	-16	-14.1	-12.5	-10	-35.8	-30.8	-28	-40	-35	-30
GS4814SIP	-1.0	-18	-16	-14	-14	-12	-35.8	-32	-30	-40	-35	-30

Note : Isolation Voltage (HiPot) of 1500Vrms

“**T**” with Extended Temperature(-40°C to +85°C)

“**P**” With POE(720mA Current Capability)

“*****”OCL:320uH Min @ 100KHz,0.2V,18mA DC BIAS

EKO TECH CO. LTD.

HEAD OFFICE :

TEL : 886- 2- 2791- 9208

5F-1, 128, Xinhua 2nd. Rd.,

FAX : 886- 2- 2791- 9271

Neihu Chiu, Taipei, Taiwan 114

Email : sales@eko.com.tw

Data subject to change without notice. Please contact Tag for assistance locating product specifications

EKO TECH CO. LTD.

100/1000 BASE-T TRANSFORMER MODULES

IEEE 802.3af/ANSI X3.263 Compliant Performance Applications.

Suitable For End-span and Mid-span PoE Applications.

Quad Port Transformer Modules Designed For IP Phone or Switch Applications.

Power over Ethernet(PoE)Magnetics.

For RoHS Compliance.

ELECTRICAL SPECIFICATIONS @ 25°C - Operating Temperature 0°C to 70°C

Part Number	Insertion Loss (dB max)		Return Loss (dB min)				Crosstalk (dB min)			DCMR (dB min)		
	1-100Mhz	1-30MHz	40MHz	50MHz	60MHz	80MHz	1-30MHz	60MHz	100MHz	1-30MHz	60MHz	100MHz
GS4816SP	-1.2	-16	-16	-14.1	-12.5	-10	-35.8	-30.8	-28	-43	-37	-33
GS4817SIP	-1.2	-16	-16	-14.1	-12.5	-10	-35.8	-30.8	-28	-43	-37	-33
GS4818SP	-1.2	-16	-16	-14.1	-12.5	-10	-35.8	-30.8	-28	-43	-37	-33
GS4819S	-1.2	-16	-16	-14.1	-12.5	-10	-35.8	-30.8	-28	-43	-37	-33
GS4820SIP	-1.2	-16	-16	-14.1	-12.5	-10	-35.8	-30.8	-28	-43	-37	-33
GS4820SIU	-1.2	-16	-16	-14.1	-12.5	-10	-35.8	-30.8	-28	-43	-37	-33

Note : Isolation Voltage (HiPot) of 1500Vrms

“**T**” with Extended Temperature(-40°C to +85°C)

“**P**” With POE(720mA Current Capability)

“*****”OCL:320uH Min @ 100KHz,0.2V,18mA DC BIAS

“**U**” With UPOE(1.25A Current Capability)

EKO TECH CO. LTD.

HEAD OFFICE :

TEL : 886- 2- 2791- 9208

5F-1, 128, Xinhua 2nd. Rd.,

FAX : 886- 2- 2791- 9271

Neihu Chiu, Taipei, Taiwan 114

Email : sales@eko.com.tw

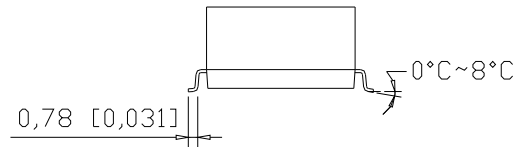
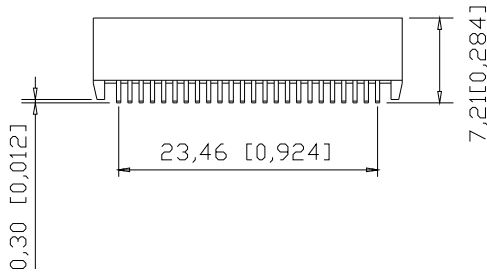
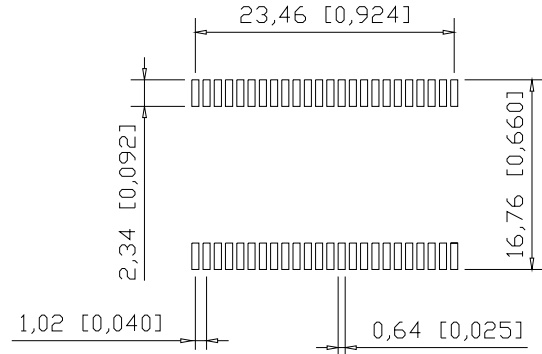
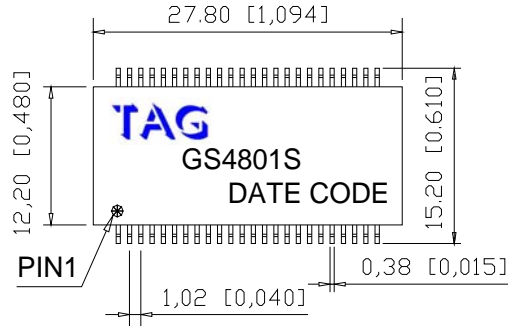
Data subject to change without notice.Please contact Tag for assistance locating product specifications

EKO TECH CO. LTD.

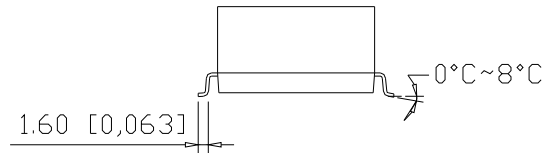
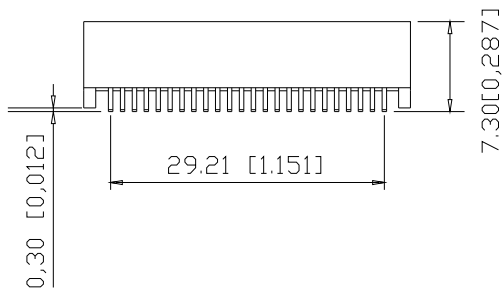
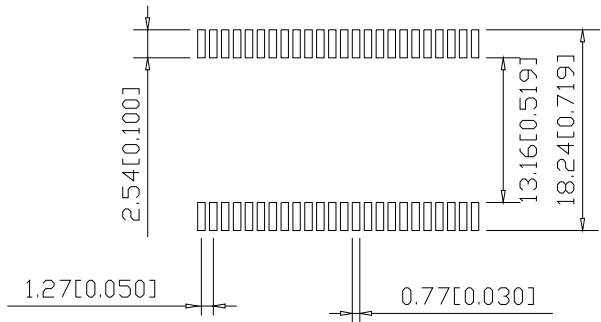
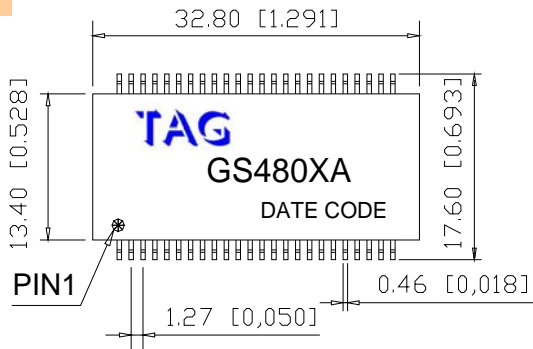
100/1000 BASE-T TRANSFORMER MODULES

MECHANICAL SPECIFICATIONS

GS48XXS \ GS48XXSI \ GS48XXSP \ GS48XXSIP



GS480XA



NOTE. DIMENSIONS:MM(INCHES)/UNLESS OTHERWISE SPECIFIED ALL TOLERANCES ARE $\pm 0.25(0.010)$.

EKO TECH CO. LTD.

HEAD OFFICE :

5F-1, 128, Xinhu 2nd. Rd.,

Neihu Chiu, Taipei, Taiwan 114

TEL : 886- 2- 2791- 9208

FAX : 886- 2- 2791- 9271

Email : sales@eko.com.tw

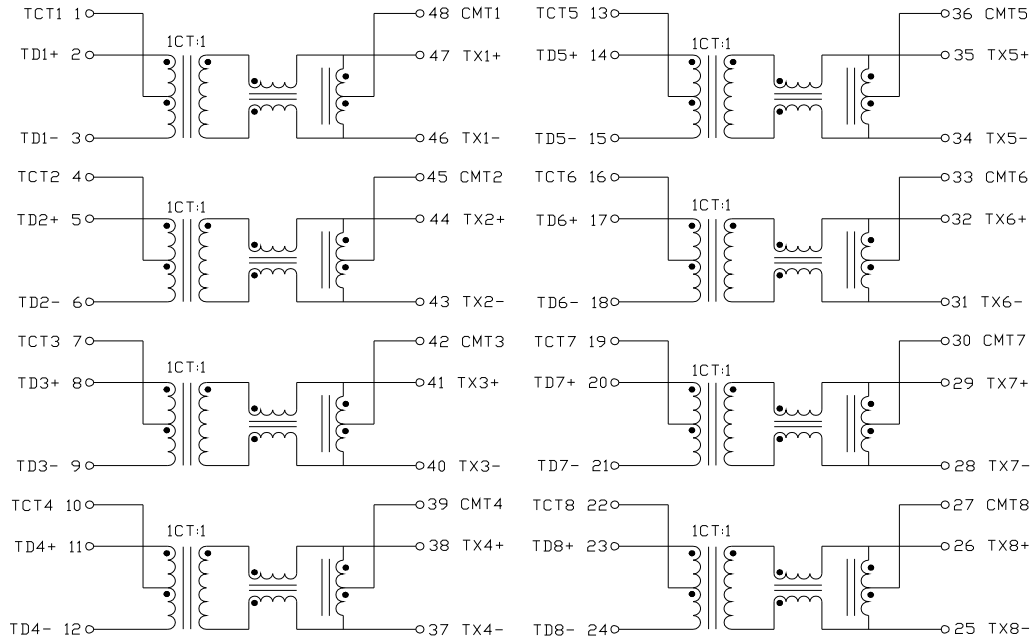
Data subject to change without notice. Please contact Tag for assistance locating product specifications

EKO TECH CO. LTD.

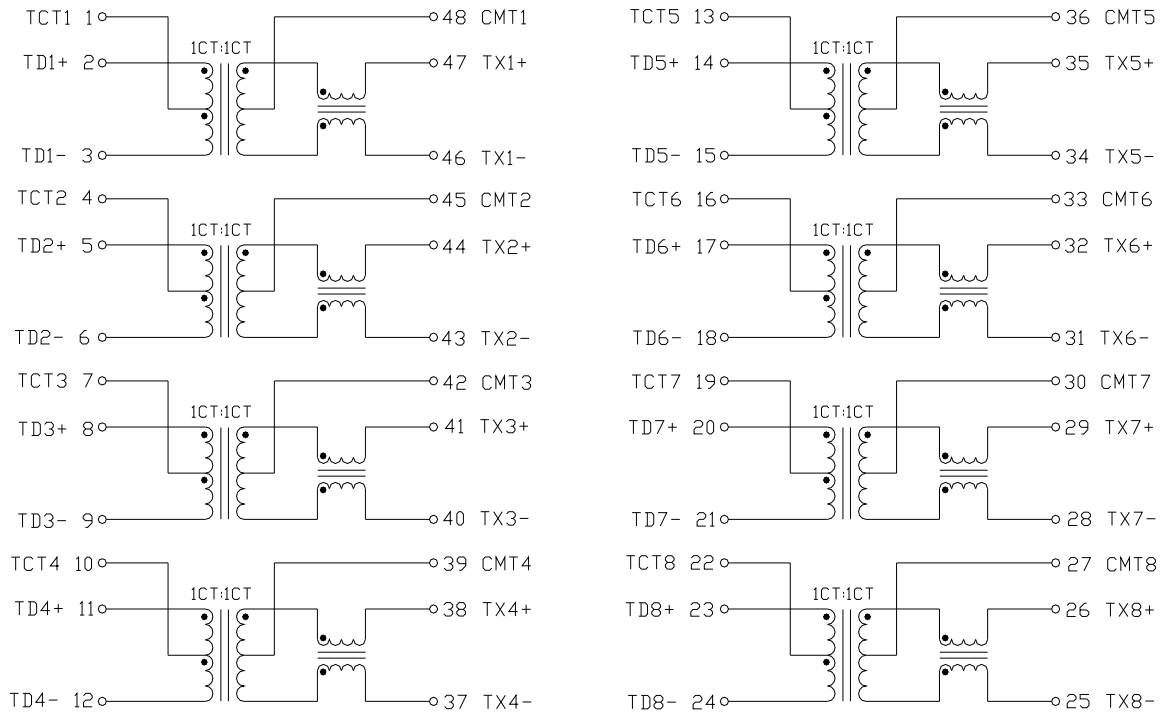
100/1000 BASE-T TRANSFORMER MODULES

SCHEMATICS

GS4801X\GS4801XX\GS4801XXX



GS4802X\GS4802XX\GS4802XXX



EKO TECH CO. LTD.

HEAD OFFICE :

5F-1, 128, Xinhua 2nd. Rd.,

Neihu Chiu, Taipei, Taiwan 114

TEL : 886- 2- 2791- 9208

FAX : 886- 2- 2791- 9271

Email : sales@eko.com.tw

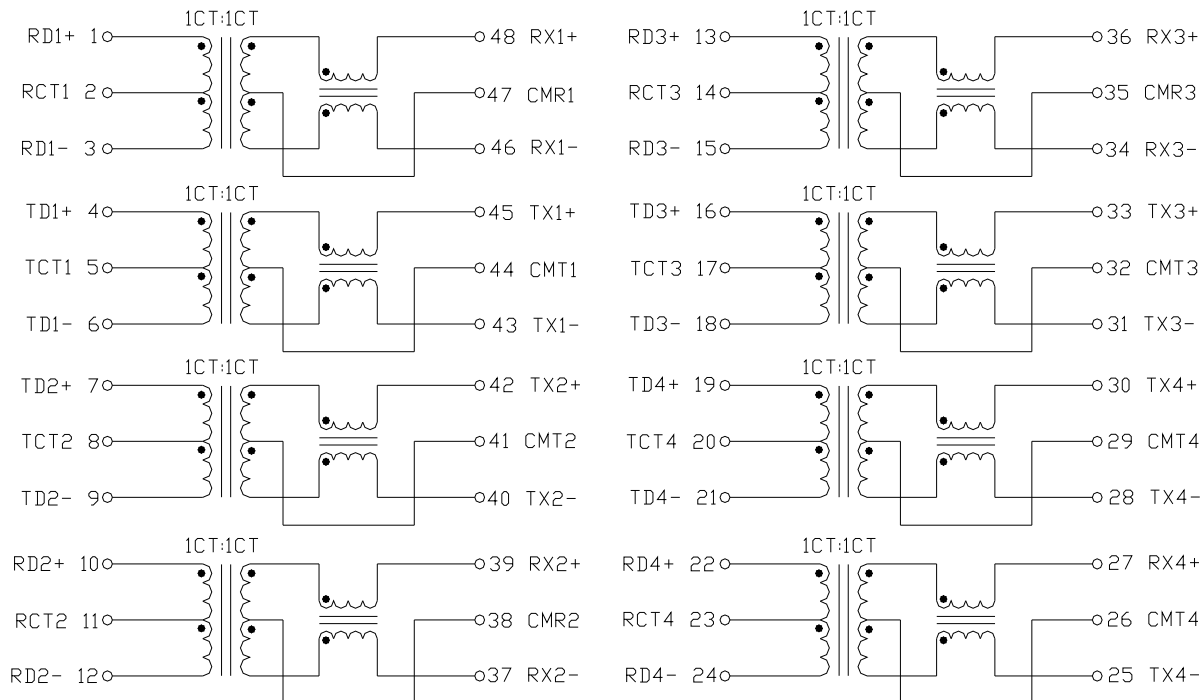
Data subject to change without notice. Please contact Tag for assistance locating product specifications

EKO TECH CO. LTD.

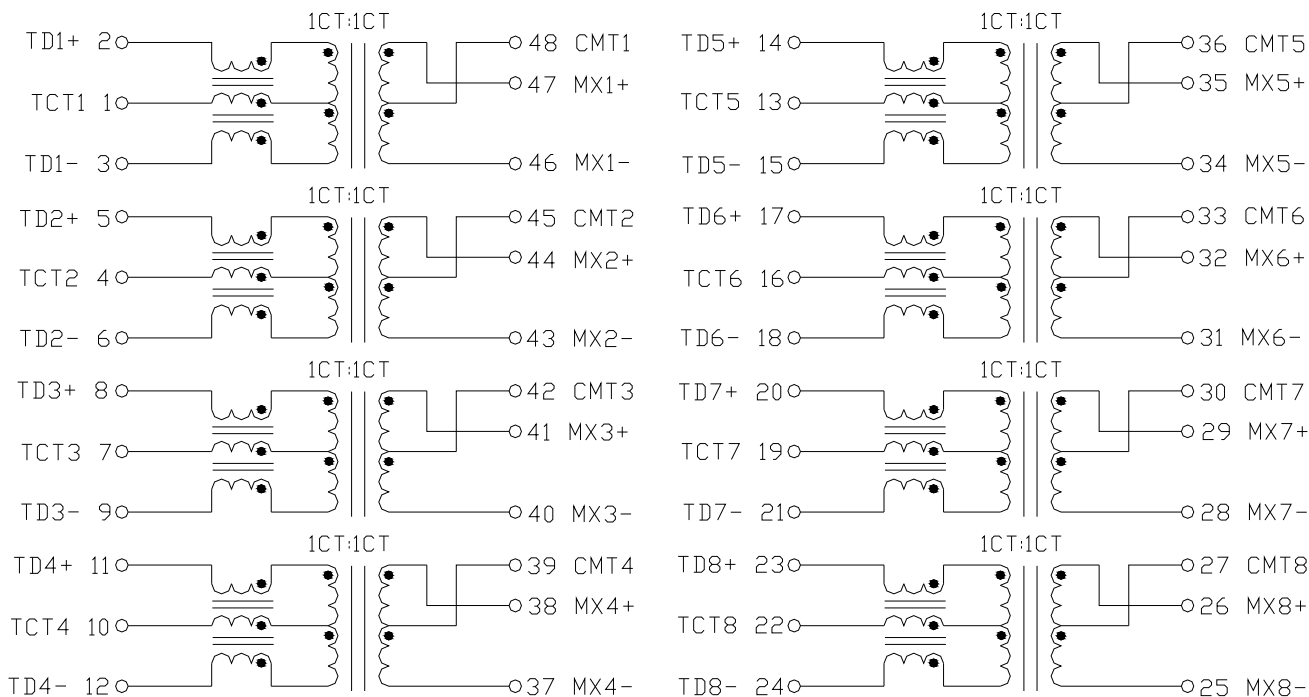
100/1000 BASE-T TRANSFORMER MODULES

SCHEMATICS

GS4803X\GS4803XX\GS4803XXX



GS4804X\GS4804XX/GS4804XXX



EKO TECH CO. LTD.

HEAD OFFICE :

5F-1, 128, Xinhu 2nd. Rd.,

Neihu Chiu, Taipei, Taiwan 114

TEL : 886- 2- 2791- 9208

FAX : 886- 2- 2791- 9271

Email : sales@eko.com.tw

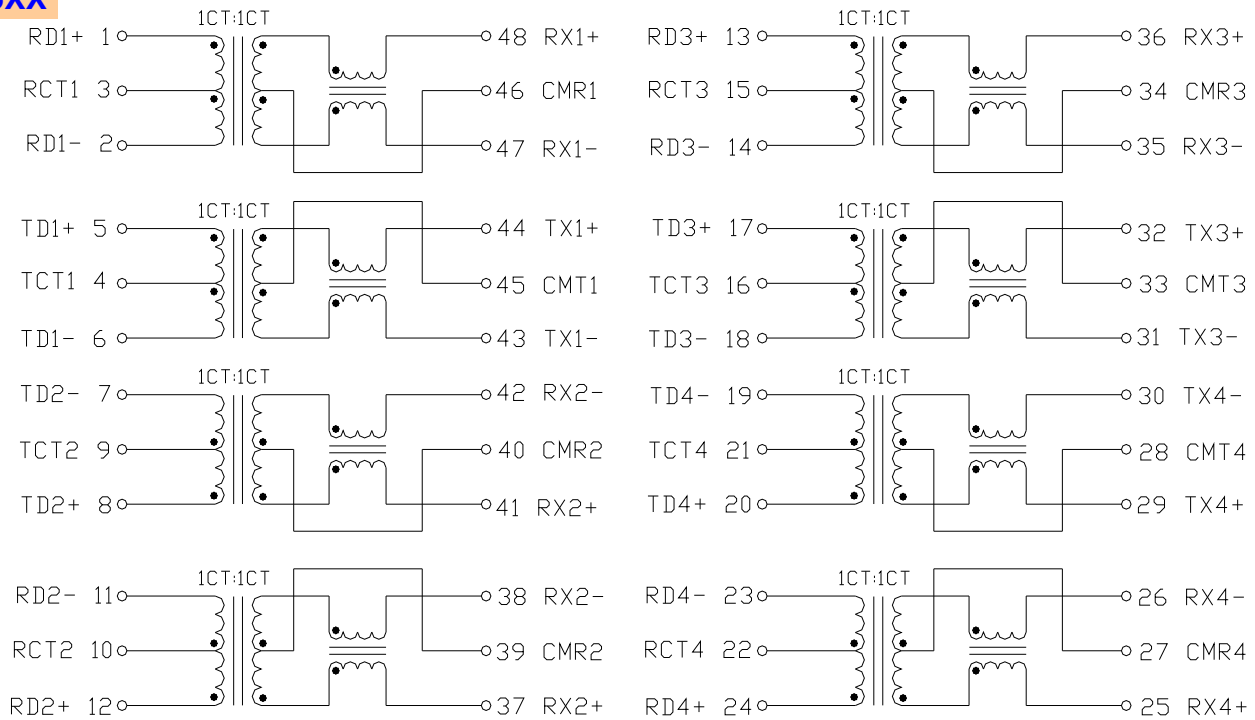
Data subject to change without notice. Please contact Tag for assistance locating product specifications

EKO TECH CO. LTD.

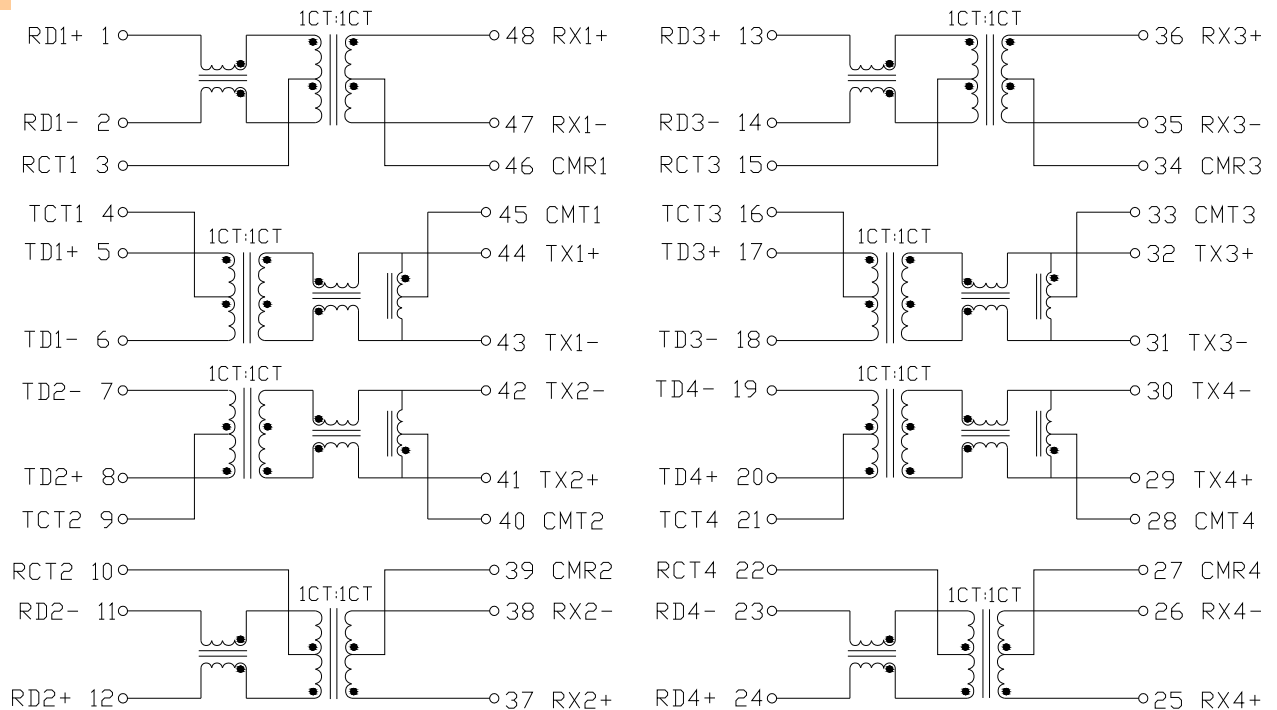
100/1000 BASE-T TRANSFORMER MODULES

SCHEMATICS

GS4805XX



GS4806X



EKO TECH CO. LTD.

HEAD OFFICE :

5F-1, 128, Xinhu 2nd. Rd.,

Neihu Chiu, Taipei, Taiwan 114

TEL : 886- 2- 2791- 9208

FAX : 886- 2- 2791- 9271

Email : sales@eko.com.tw

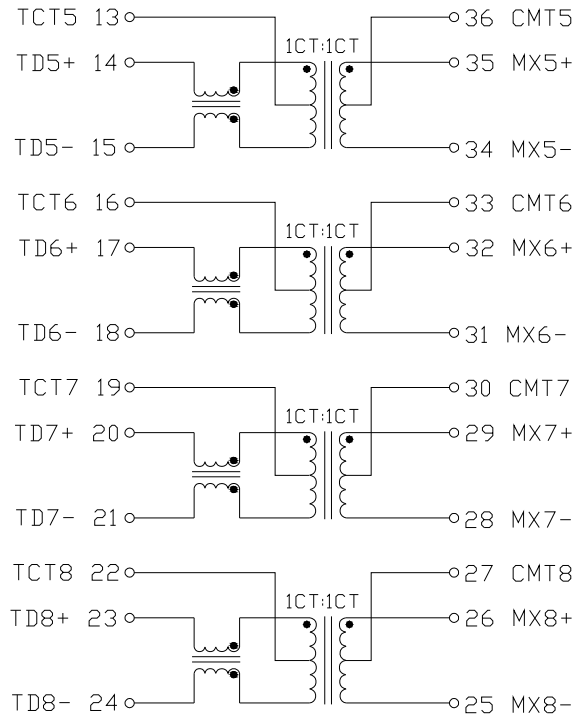
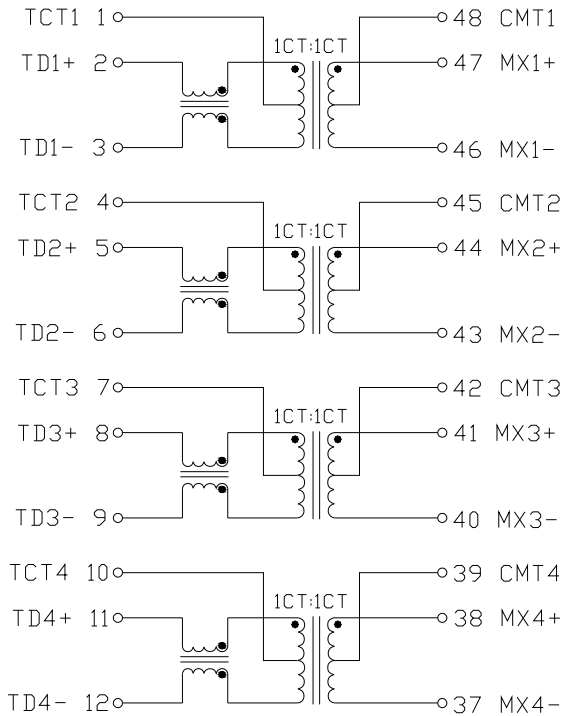
Data subject to change without notice. Please contact Tag for assistance locating product specifications

EKO TECH CO. LTD.

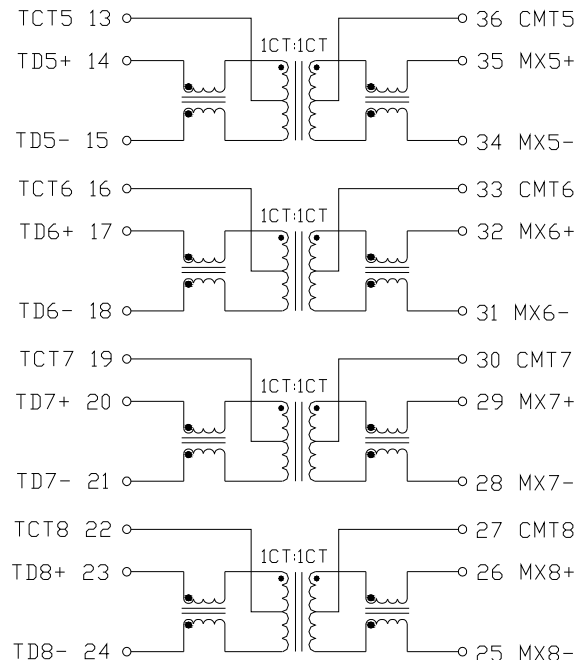
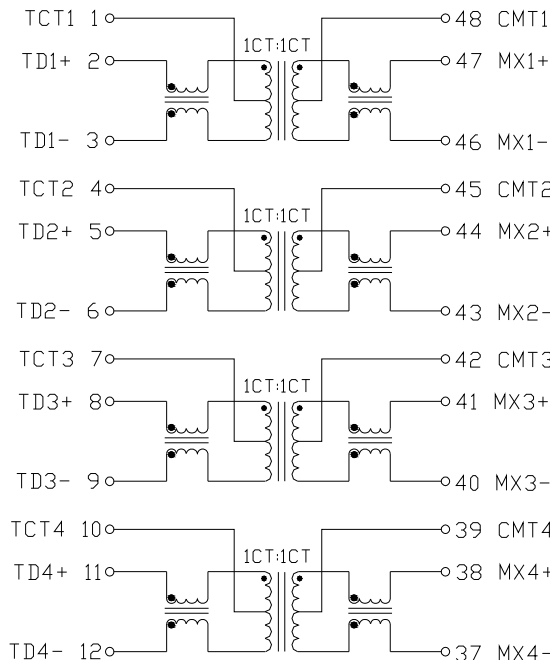
100/1000 BASE-T TRANSFORMER MODULES

SCHEMATICS

GS4807X



GS4808X\GS4808XX



EKO TECH CO. LTD.

HEAD OFFICE :

5F-1, 128, Xinhu 2nd. Rd.,

Neihu Chiu, Taipei, Taiwan 114

TEL : 886- 2- 2791- 9208

FAX : 886- 2- 2791- 9271

Email : sales@eko.com.tw

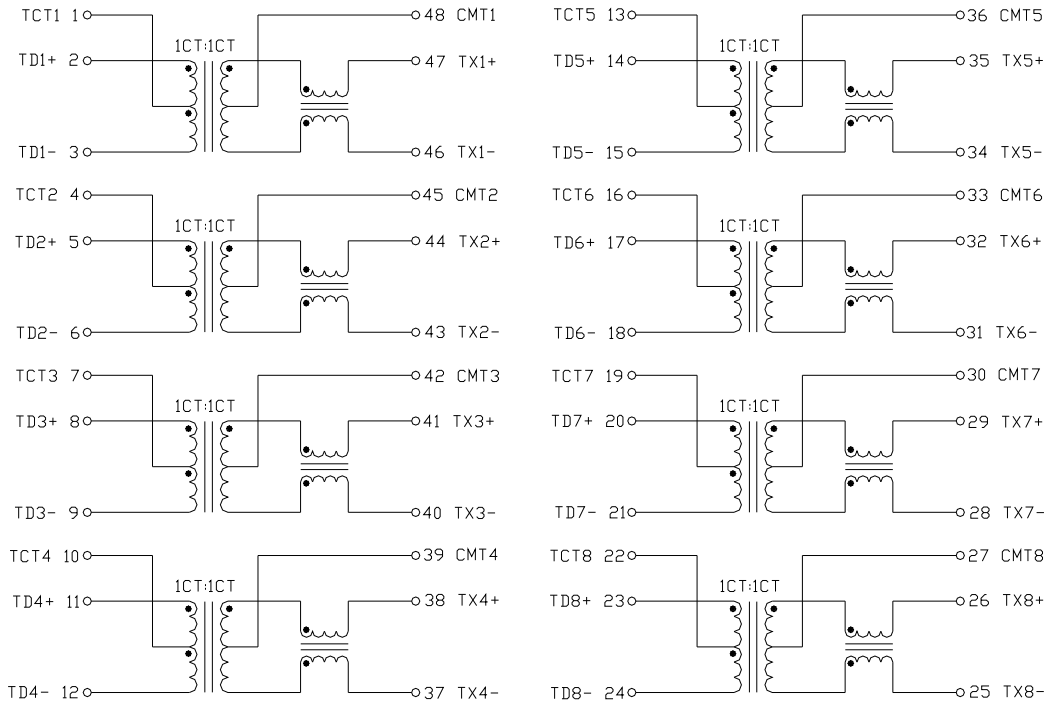
Data subject to change without notice. Please contact Tag for assistance locating product specifications

EKO TECH CO. LTD.

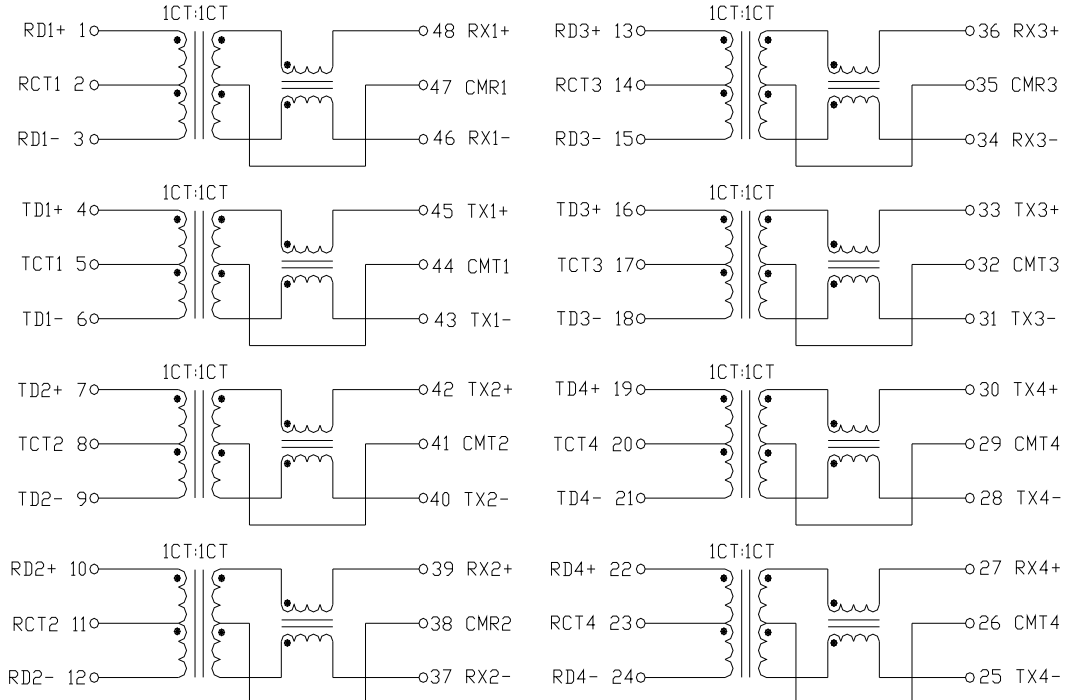
100/1000 BASE-T TRANSFORMER MODULES

SCHEMATICS

GS4809XXX



GS4810XXX



EKO TECH CO. LTD.

HEAD OFFICE :

5F-1, 128, Xinhua 2nd. Rd.,

Neihu Chiu, Taipei, Taiwan 114

TEL : 886- 2- 2791- 9208

FAX : 886- 2- 2791- 9271

Email : sales@eko.com.tw

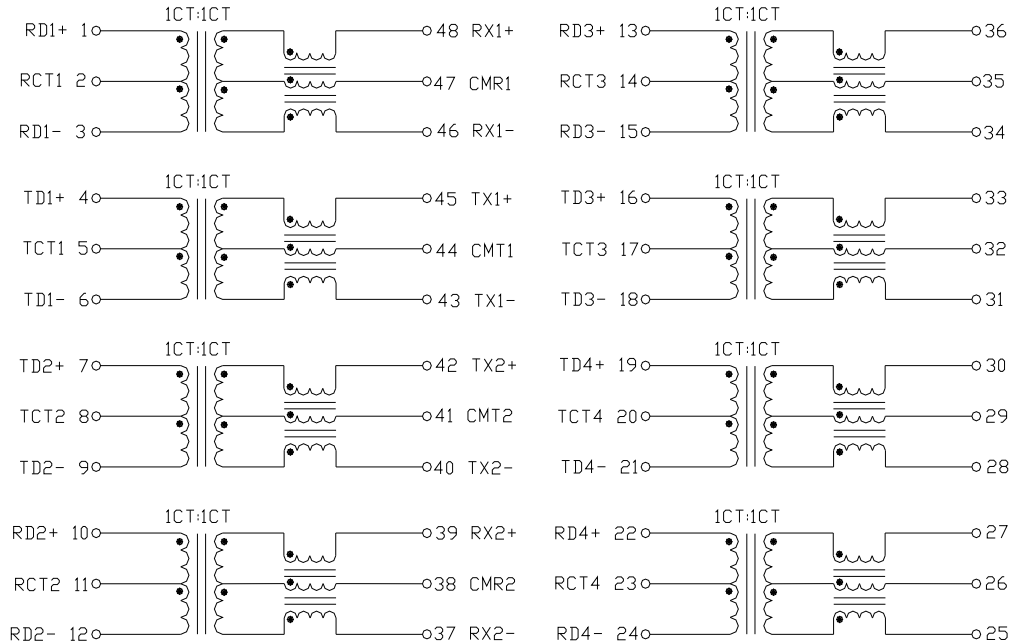
Data subject to change without notice. Please contact Tag for assistance locating product specifications

EKO TECH CO. LTD.

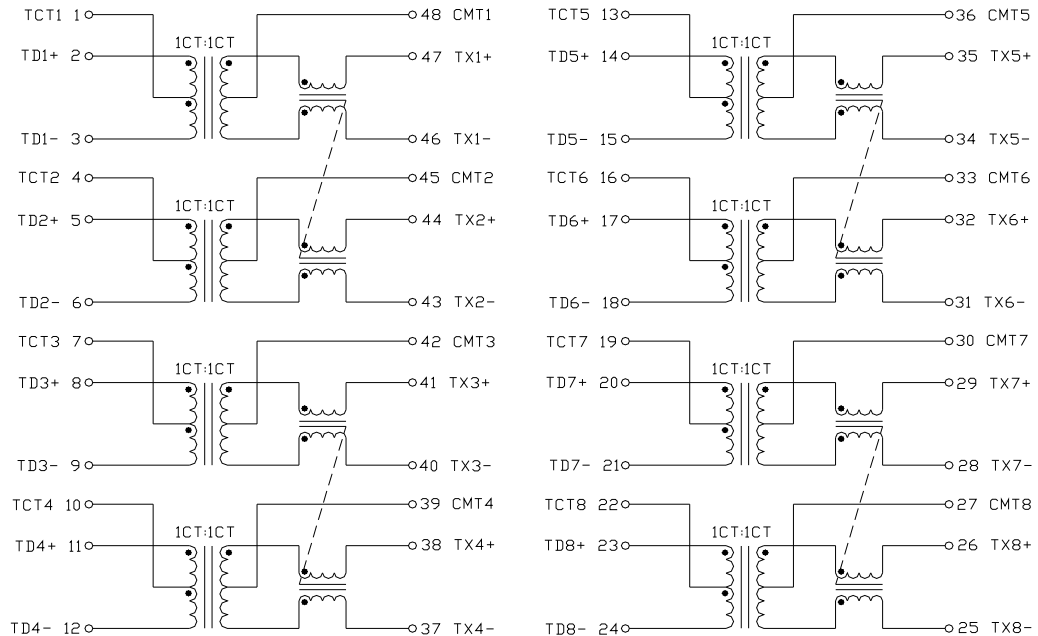
100/1000 BASE-T TRANSFORMER MODULES

SCHEMATICS

GS4811XXX



GS4812XXX



EKO TECH CO. LTD.

HEAD OFFICE :

5F-1, 128, Xinhua 2nd. Rd.,

Neihu Chiu, Taipei, Taiwan 114

TEL : 886- 2- 2791- 9208

FAX : 886- 2- 2791- 9271

Email : sales@eko.com.tw

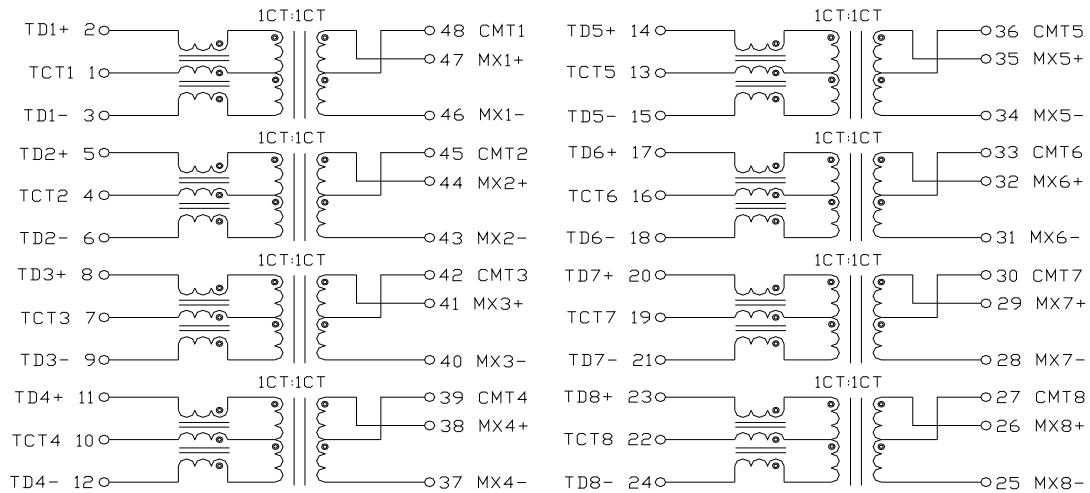
Data subject to change without notice. Please contact Tag for assistance locating product specifications

EKO TECH CO. LTD.

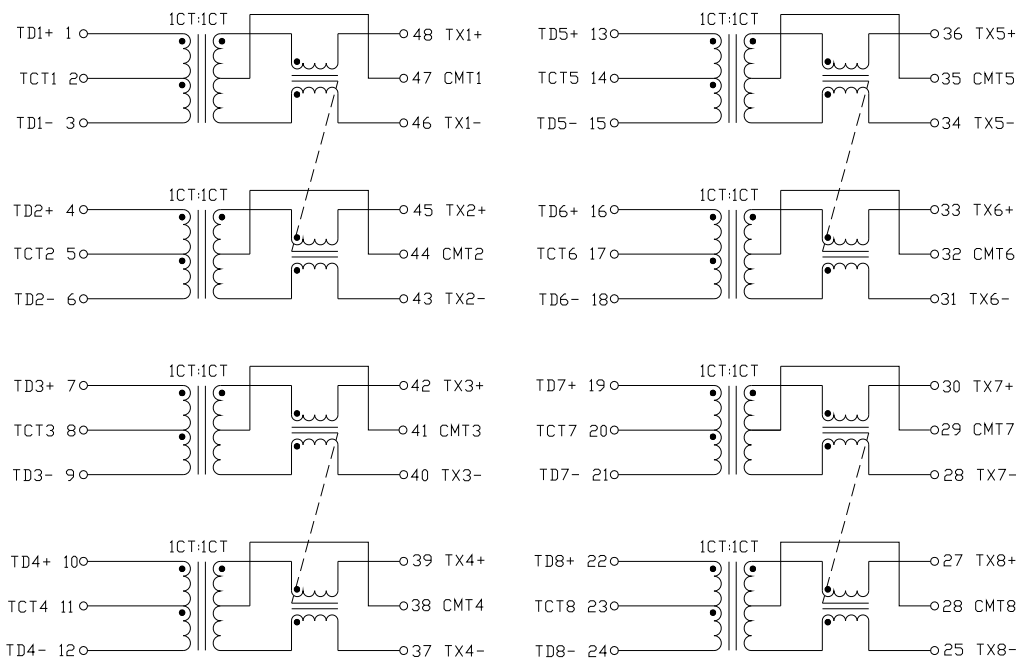
100/1000 BASE-T TRANSFORMER MODULES

SCHEMATICS

GS4813XXX



GS4814XXX



EKO TECH CO. LTD.

HEAD OFFICE :

5F-1, 128, Xinhua 2nd. Rd.,

Neihu Chiu, Taipei, Taiwan 114

TEL : 886- 2- 2791- 9208

FAX : 886- 2- 2791- 9271

Email : sales@eko.com.tw

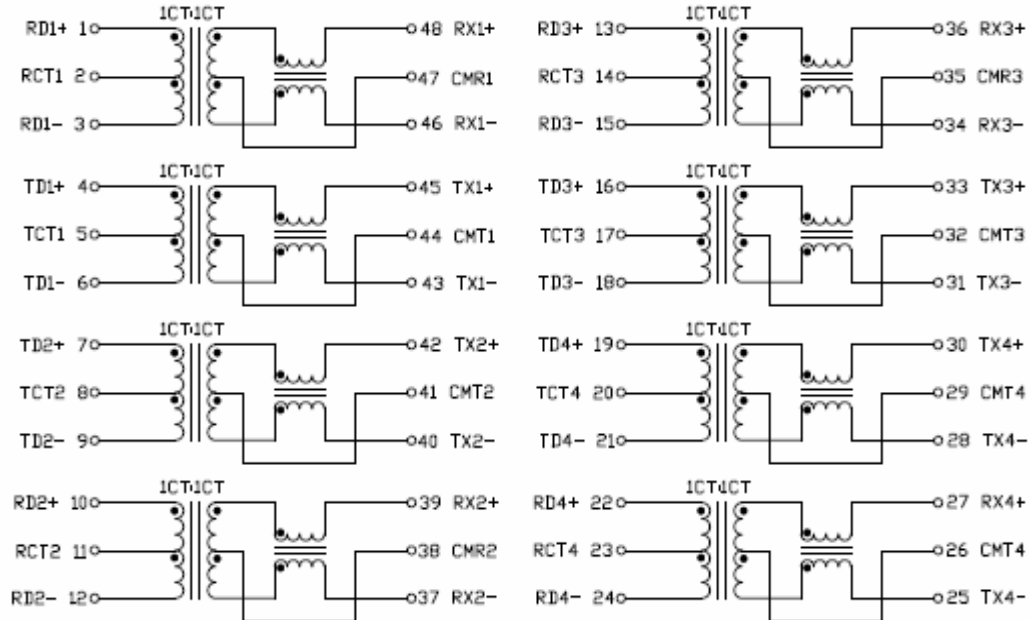
Data subject to change without notice. Please contact Tag for assistance locating product specifications

EKO TECH CO. LTD.

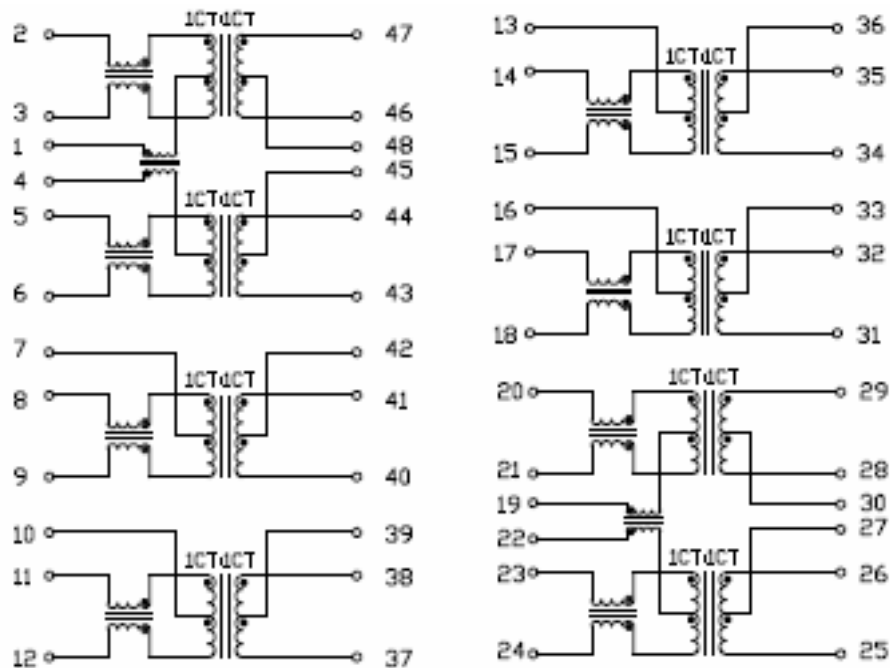
100/1000 BASE-T TRANSFORMER MODULES

SCHEMATICS

GS4816XX



GS4817SIP



EKO TECH CO. LTD.

HEAD OFFICE :

5F-1, 128, Xinhua 2nd. Rd.,

Neihu Chiu, Taipei, Taiwan 114

TEL : 886- 2- 2791- 9208

FAX : 886- 2- 2791- 9271

Email : sales@eko.com.tw

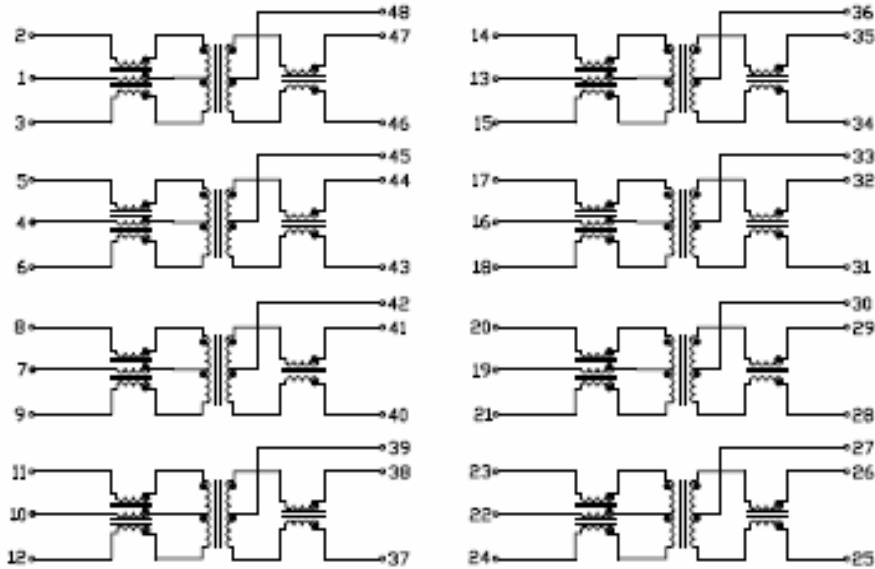
Data subject to change without notice. Please contact Tag for assistance locating product specifications

EKO TECH CO. LTD.

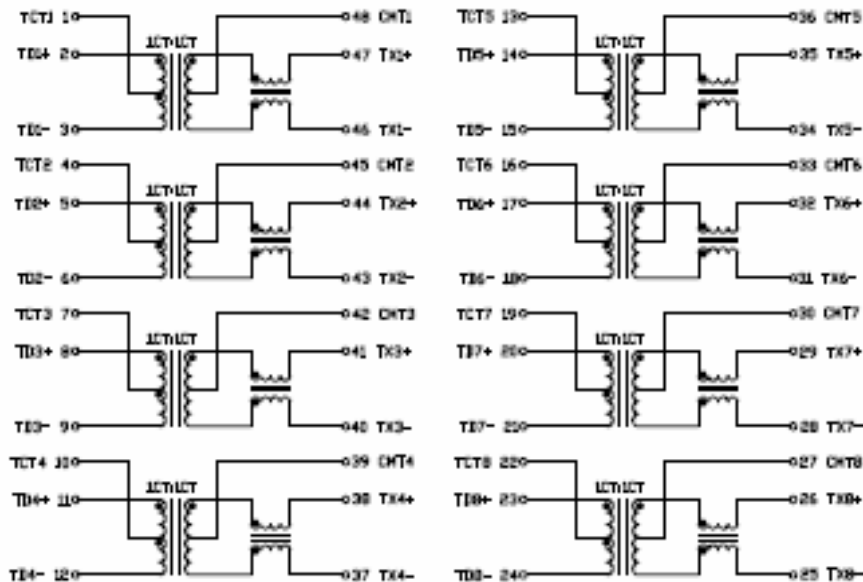
100/1000 BASE-T TRANSFORMER MODULES

SCHEMATICS

GS4818SP



GS4819S



EKO TECH CO. LTD.

HEAD OFFICE :

TEL : 886- 2- 2791- 9208

5F-1, 128, Xinhua 2nd. Rd.,

FAX : 886- 2- 2791- 9271

Neihu Chiu, Taipei, Taiwan 114

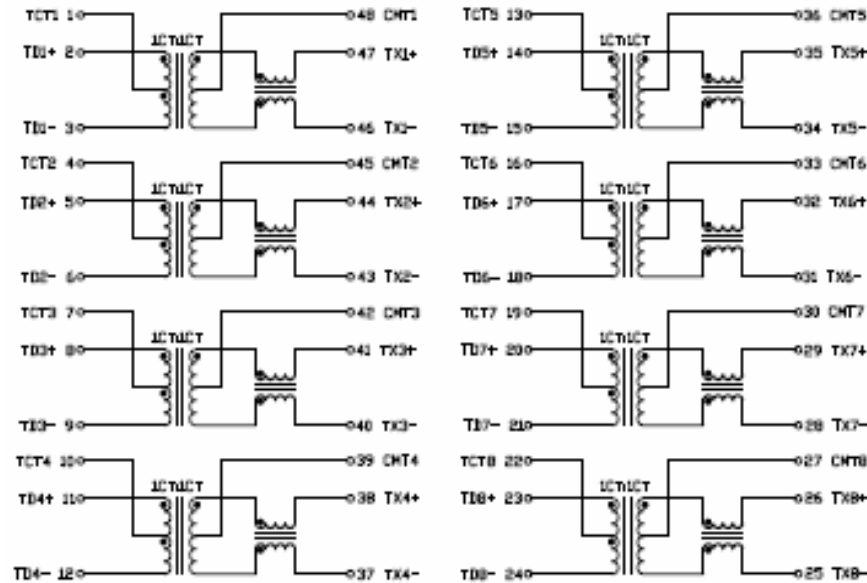
Email : sales@eko.com.tw

Data subject to change without notice. Please contact Tag for assistance locating product specifications

EKO TECH CO. LTD.

100/1000 BASE-T TRANSFORMER MODULES

GS4820SIP



EKO TECH CO. LTD.

HEAD OFFICE :

5F-1, 128, Xinhu 2nd. Rd.,

Neihu Chiu, Taipei, Taiwan 114

TEL : 886- 2- 2791- 9208

FAX : 886- 2- 2791- 9271

Email : sales@eko.com.tw

Data subject to change without notice. Please contact Tag for assistance locating product specifications

EKO TECH CO. LTD.

100/1000 BASE-T TRANSFORMER MODULES

IEEE 802.3af/ANSI X3.263 Compliant Performance Applications.

Suitable For End-span and Mid-span PoE Applications.

Dual Port Transformer Modules Designed For IP Phone or Switch Applications

Power over Ethernet(PoE)Magnetics.

For RoHS Compliance.

ELECTRICAL SPECIFICATIONS @ 25°C - Operating Temperature 0°C to 70°C

Part Number	Insertion Loss (dB max)		Return Loss (dB min)			Crosstalk (dB min)			CMRR (dB typ)
	1-100MHz	1-40MHz	60MHz	80MHz	100MHz	1-30MHz	60MHz	100MHz	1-100MHz
GS5002S	-1.1	-18	-14	-12	-10	-40	-35	-30	-40
GS5002SI	-1.1	-16	-16	-10	-10	-40	-35	-30	-40
GS5002SP	-1.1	-18	-14	-12	-10	-40	-35	-30	-40
GS5002SIP	-1.1	-16	-12.5	-10	-10	-35.8	-30.8	-28	-40
GS5003S *	-1.1	-18	-14	-12	-10	-40	-35	-30	-40
GS5003SP *	-1.1	-18	-14	-12	-10	-40	-35	-30	-40
GS5004SIP	-1.1	-18	-14	-12	-10	-40	-35	-30	-40
GS5004SP	-1.1	-18	-14	-12	-10	-40	-35	-30	-40
GS5005S	-1.1	-16	-12.5	-10	-10	-35.8	-30.8	-28	-40
GS5005SI	-1.1	-16	-12.5	-10	-10	-35.8	-30.8	-28	-40
GS5005SP	-1.1	-16	-12.5	-10	-10	-35.8	-30.8	-28	-40
GS5006SP	-1.1	-18	-14	-12	-10	-40	-35	-30	-40
GS5007SP	-1.1	-16	-12.5	-10	-10	-40	-35	-30	-40
GS5008SP	-1.1	-16	-12.5	-10	-10	-40	-35	-30	-40
GS5009SP	-1.1	-16	-12.5	-10	-10	-40	-35	-30	-40
GS5009SIP	-1.1	-18	-14	-12	-10	-40	-35	-30	-40
GS5010SIP	-1.1	-18	-14	-12	-10	-40	-35	-30	-40
GS5011SIP	-1.1	-18	-14	-12	-10	-40	-35	-30	-40
GS5012S	-1.4	-16	-13.1	-12	-10	-35	-32	-28	/
GS5013SP	-1.1	-18	-14	-12	-10	-40	-35	-30	-40
GS5014SP	-1.1	-16	-12.5	-10	-10	-35.8	-30.8	-28	-40
GS5015SP	-1.1	-16	-12.5	-10	-10	-35.8	-30.8	-28	-40
GS5016SI	-1.1	-16	-12.5	-10	-10	-35.8	-30.8	-28	-40

Note : Isolation Voltage (HiPot) of 1500Vrms

“I” with Extended Temperature(-40°C to +85°C)

“P” With POE(720mA Current Capability)

“*”OCL:320uH Min @ 100KHz,0.2V,18mA DC BIAS

EKO TECH CO. LTD.

HEAD OFFICE :

5F-1, 128, Xinhu 2nd. Rd.,

Neihu Chiu, Taipei, Taiwan 114

TEL : 886- 2- 2791- 9208

FAX : 886- 2- 2791- 9271

Email : sales@eko.com.tw

Data subject to change without notice.Please contact Tag for assistance locating product specifications

EKO TECH CO. LTD.

100/1000 BASE-T TRANSFORMER MODULES

IEEE 802.3af/ANSI X3.263 Compliant Performance Applications.

Suitable For End-span and Mid-span PoE Applications.

Dual Port Transformer Modules Designed For IP Phone or Switch Applications

Power over Ethernet(PoE)Magnetics.

For RoHS Compliance.

ELECTRICAL SPECIFICATIONS @ 25°C - Operating Temperature 0°C to 70°C

Part Number	Insertion Loss (dB max)		Return Loss (dB min)			Crosstalk (dB min)		CMRR (dB typ)	
	1-100MHz	1-40MHz	60MHz	80MHz	100MHz	1-30MHz	60MHz	100MHz	1-100MHz
"◇"GS5017SP	-1.1	-18	-14	-12	-10	-40	-35	-30	-40
"◇"GS5018SIP	-1.1	-18	-14	-12	-10	-40	-35	-30	-40
GS5019SIP	-1.1	-18	-14	-12	-10	-40	-35	-30	-40

Note : Isolation Voltage (HiPot) of 1500Vrms

“T” with Extended Temperature(-40°C to +85°C)

“P” With POE(720mA Current Capability) "◇"With POE(1A Current Capability)

“*”OCL:320uH Min @ 100KHz,0.2V,18mA DC BIAS

EKO TECH CO. LTD.

HEAD OFFICE :

5F-1, 128, Xinhu 2nd. Rd.,

Neihu Chiu, Taipei, Taiwan 114

TEL : 886- 2- 2791- 9208

FAX : 886- 2- 2791- 9271

Email : sales@eko.com.tw

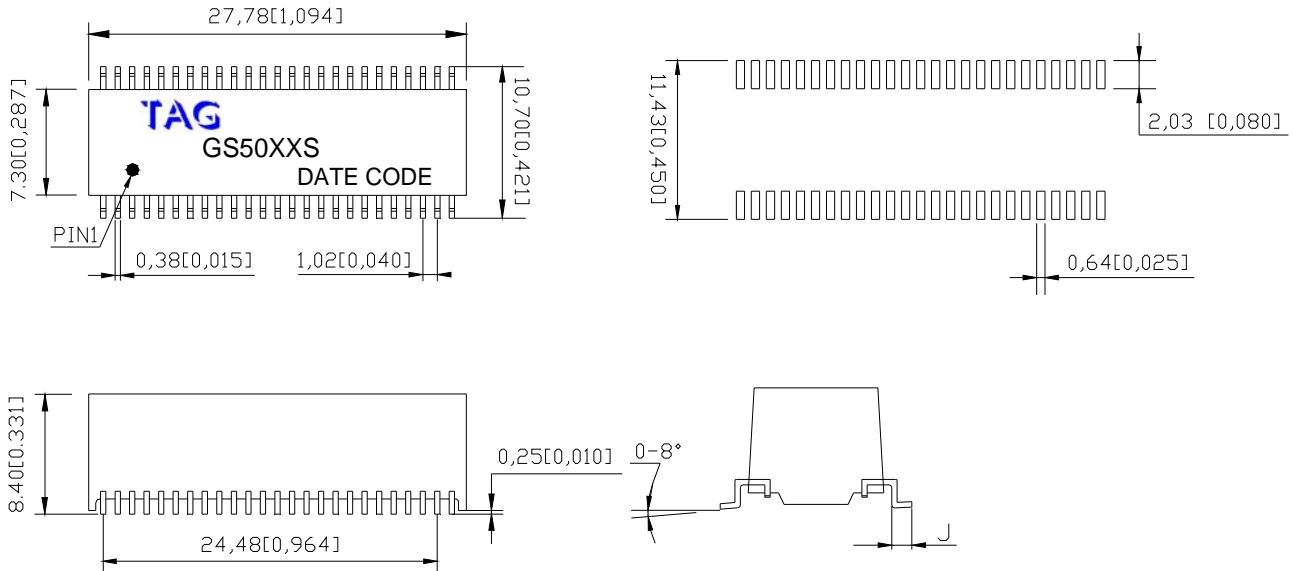
Data subject to change without notice.Please contact Tag for assistance locating product specifications

EKO TECH CO. LTD.

100/1000 BASE-T TRANSFORMER MODULES

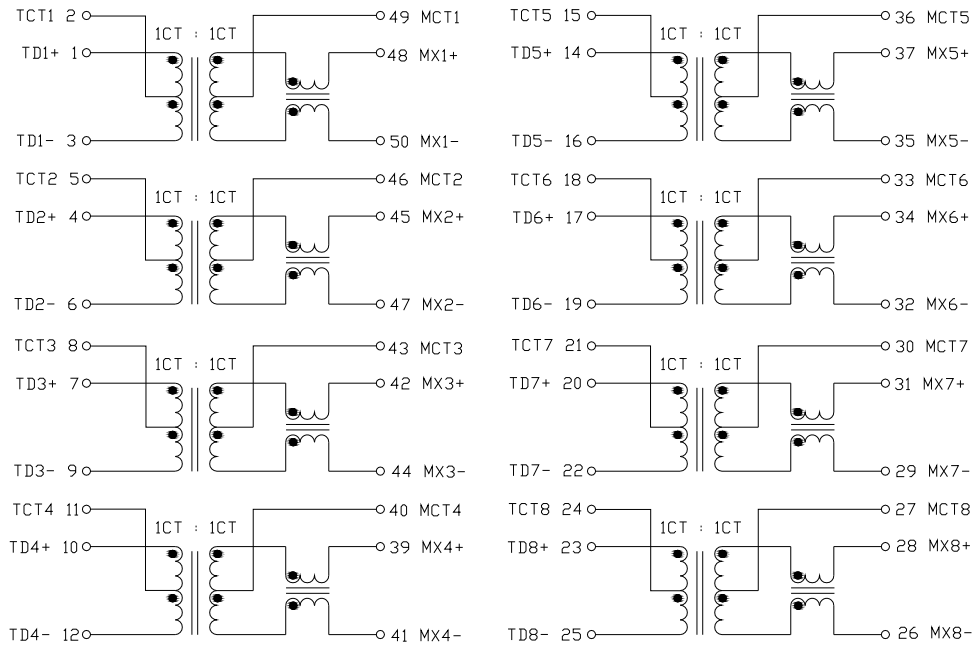
MECHANICAL SPECIFICATIONS

GS50XXS \ GS50XXSI \ GS50XXSP \ GS50XXSIP



SCHEMATICS

GS5002X\GS5002XX\GS5002XXX



EKO TECH CO. LTD.

HEAD OFFICE :

5F-1, 128, Xinhua 2nd. Rd.,

Neihu Chiu, Taipei, Taiwan 114

TEL : 886- 2- 2791- 9208

FAX : 886- 2- 2791- 9271

Email : sales@eko.com.tw

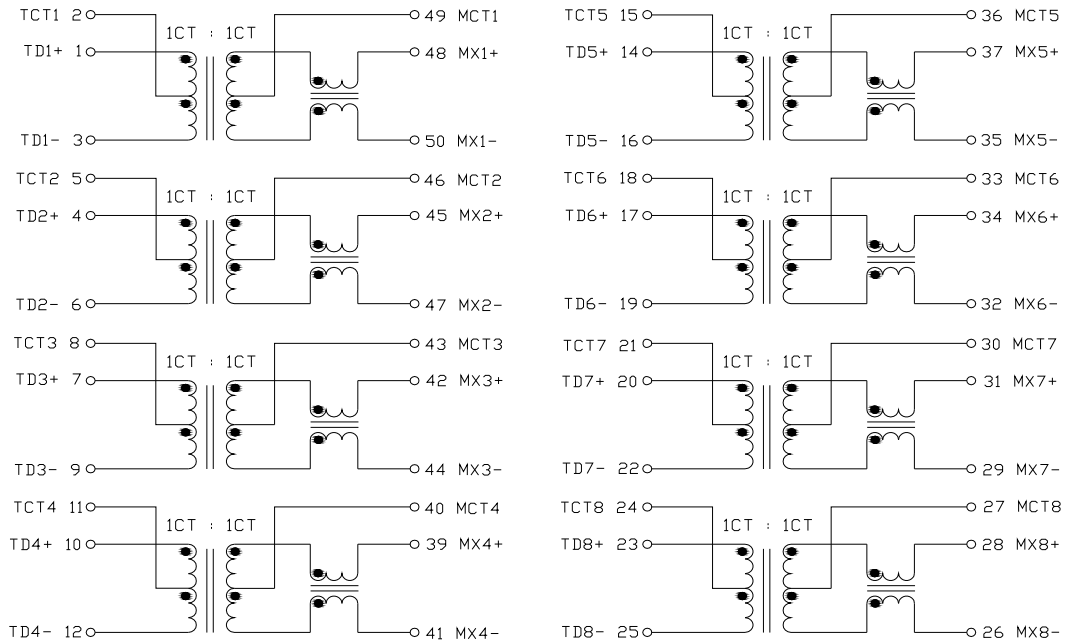
Data subject to change without notice. Please contact Tag for assistance locating product specifications

EKO TECH CO. LTD.

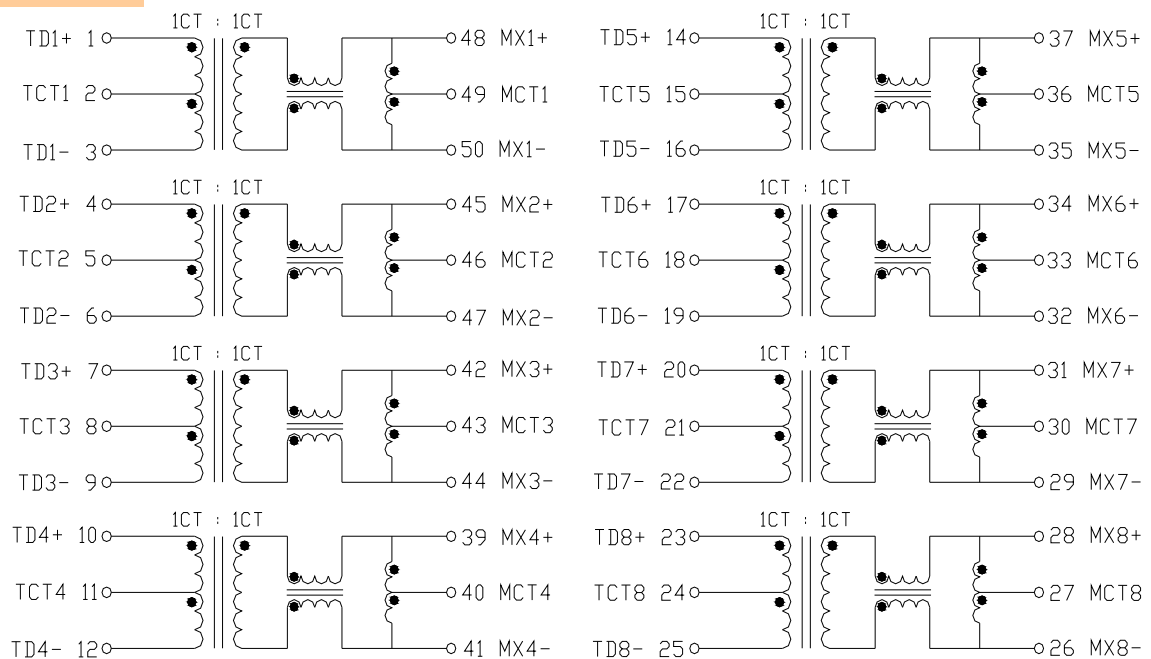
100/1000 BASE-T TRANSFORMER MODULES

SCHEMATICS

GS5003X\GS5003XX



GS5004X\GS5004XX



EKO TECH CO. LTD.

HEAD OFFICE :

5F-1, 128, Xinhu 2nd. Rd.,

Neihu Chiu, Taipei, Taiwan 114

TEL : 886- 2- 2791- 9208

FAX : 886- 2- 2791- 9271

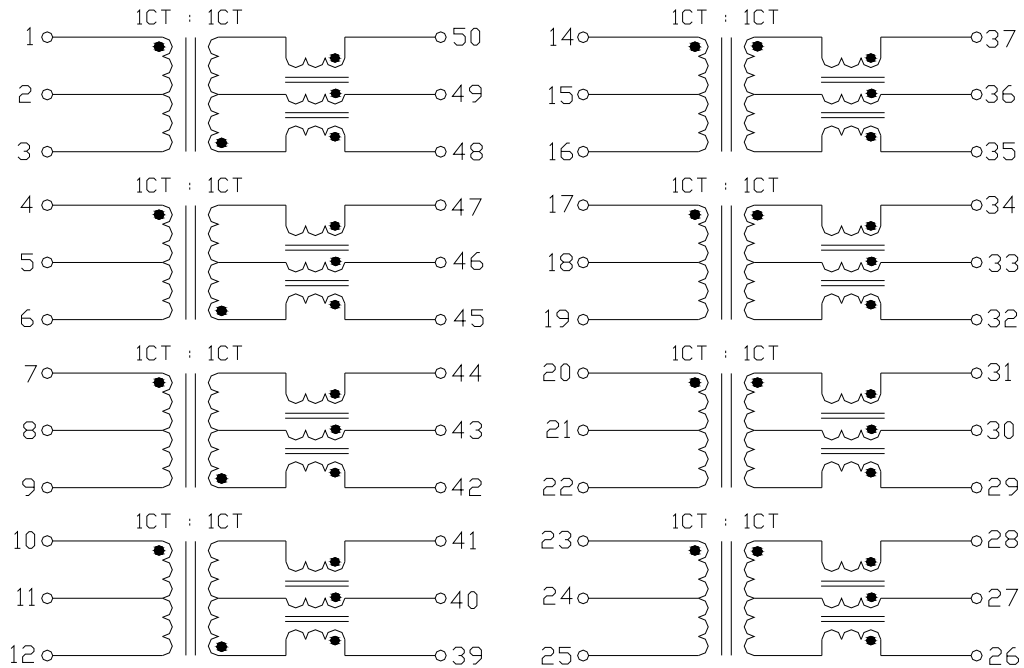
Email : sales@eko.com.tw

EKO TECH CO. LTD.

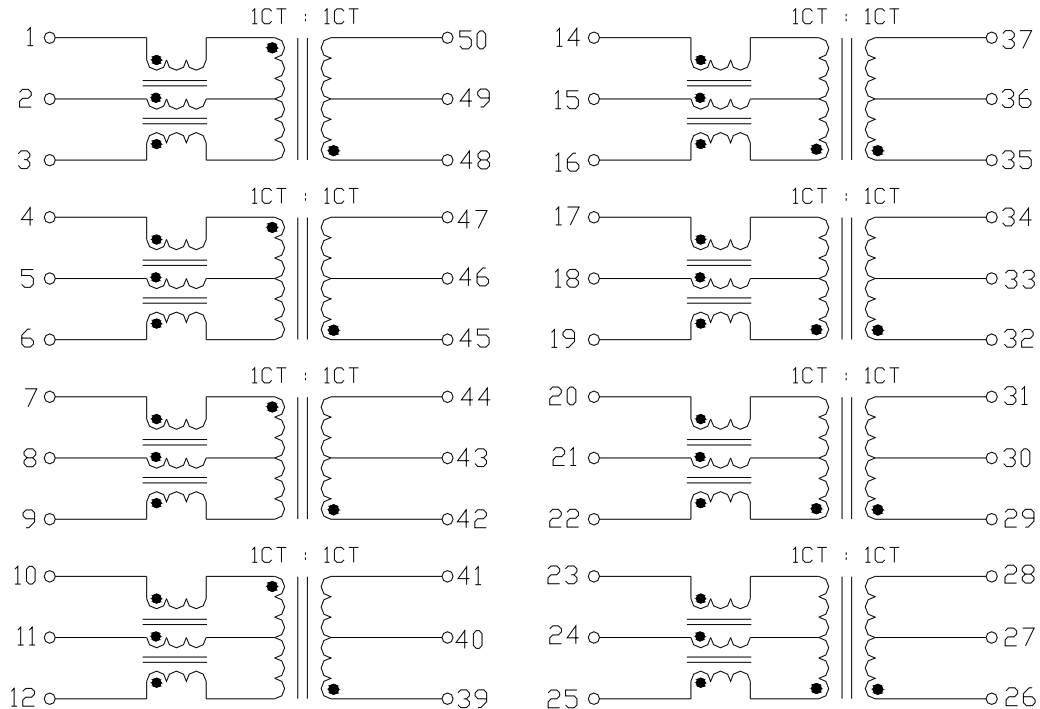
100/1000 BASE-T TRANSFORMER MODULES

SCHEMATICS

GS5005X\GS5005XX



GS5006XX



EKO TECH CO. LTD.

HEAD OFFICE :

5F-1, 128, Xinhu 2nd. Rd.,

Neihu Chiu, Taipei, Taiwan 114

TEL : 886- 2- 2791- 9208

FAX : 886- 2- 2791- 9271

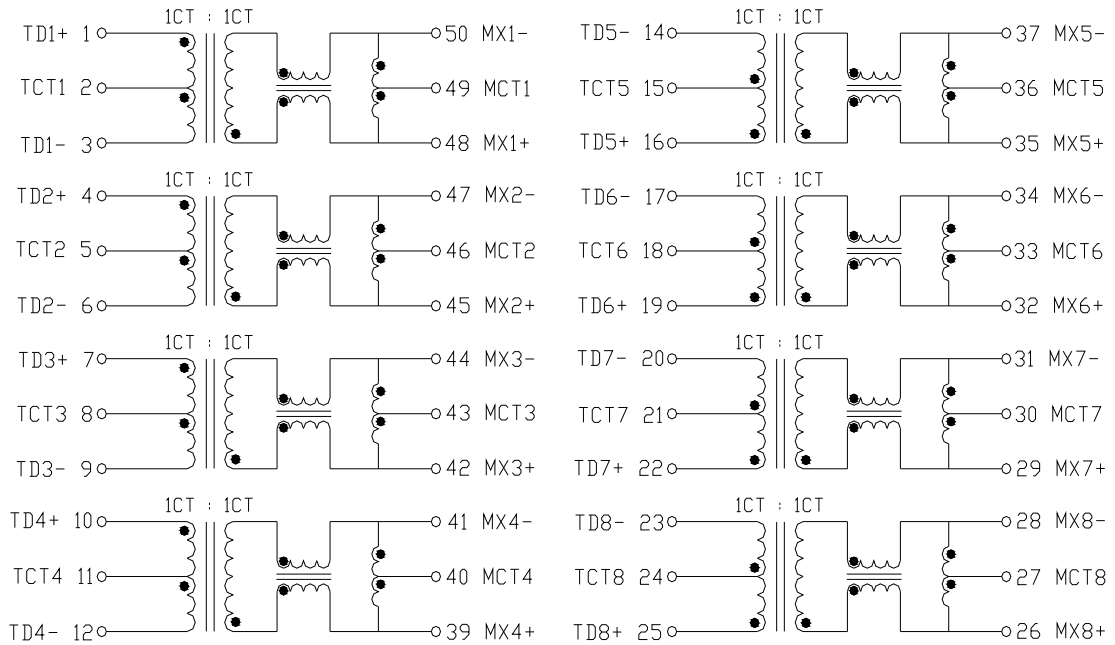
Email : sales@eko.com.tw

EKO TECH CO. LTD.

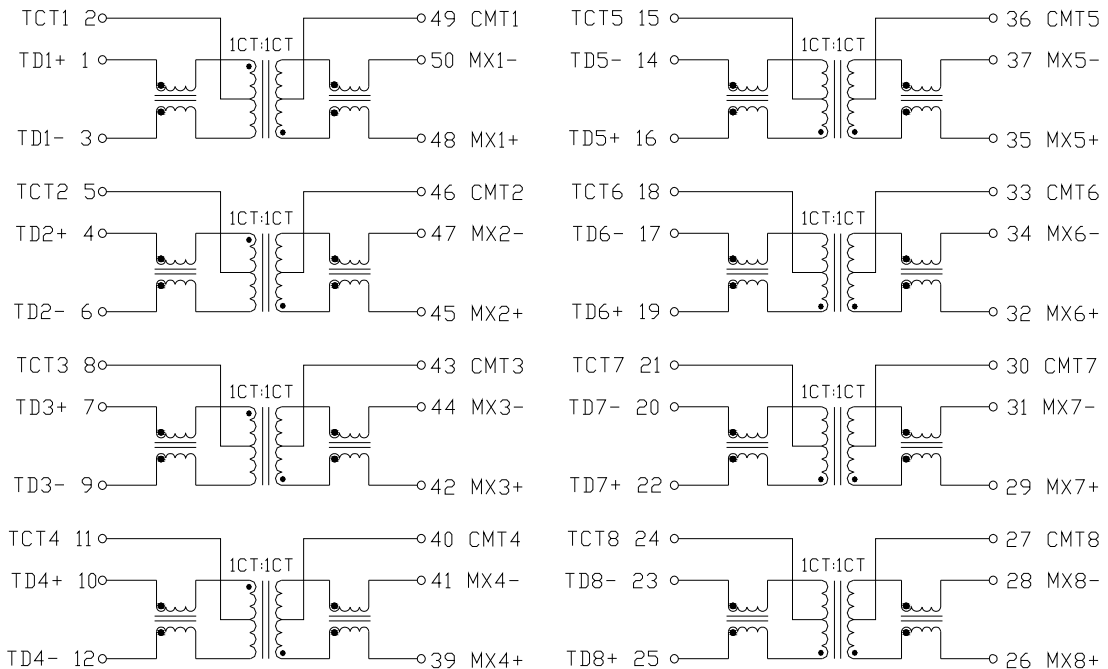
100/1000 BASE-T TRANSFORMER MODULES

SCHEMATICS

GS5007XX



GS5008XX



EKO TECH CO. LTD.

HEAD OFFICE :

5F-1, 128, Xinhu 2nd. Rd.,

Neihu Chiu, Taipei, Taiwan 114

TEL : 886- 2- 2791- 9208

FAX : 886- 2- 2791- 9271

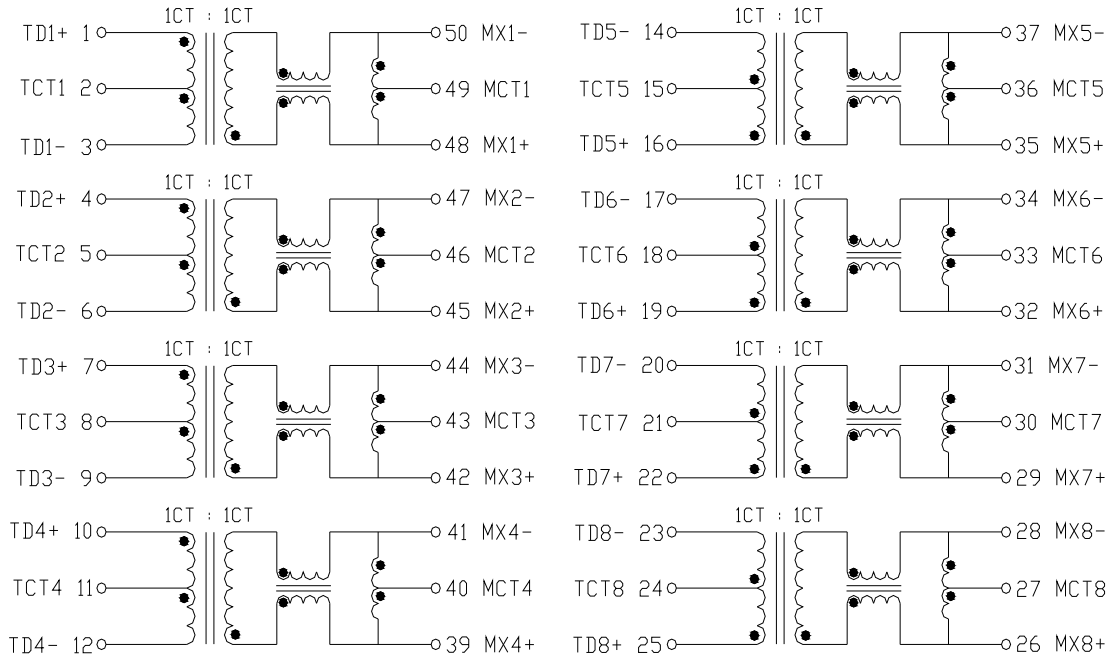
Email : sales@eko.com.tw

EKO TECH CO. LTD.

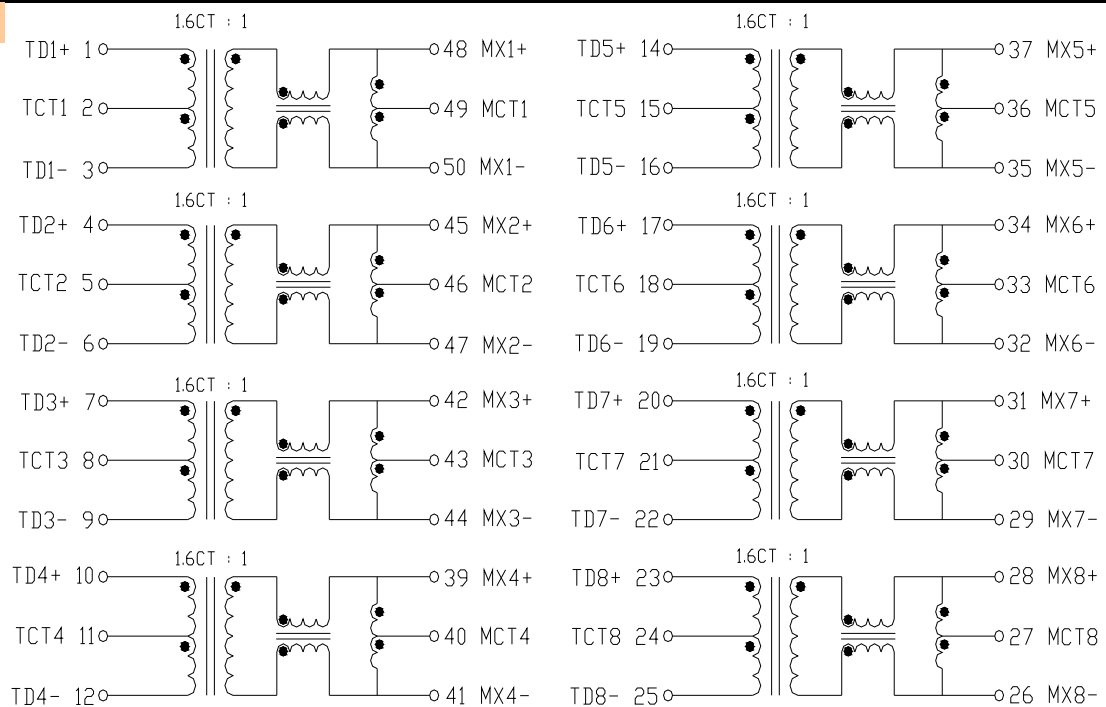
100/1000 BASE-T TRANSFORMER MODULES

SCHEMATICS

GS5009X\GS5009XX\GS5009XXX



GS5010XXX



EKO TECH CO. LTD.

HEAD OFFICE :

5F-1, 128, Xinhu 2nd. Rd.,

Neihu Chiu, Taipei, Taiwan 114

TEL : 886- 2- 2791- 9208

FAX : 886- 2- 2791- 9271

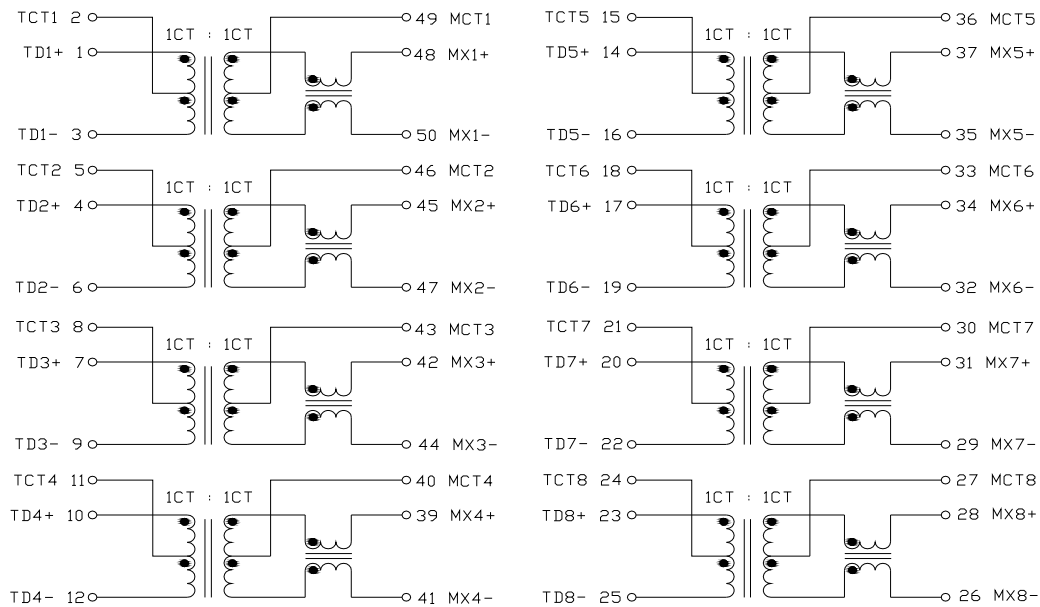
Email : sales@eko.com.tw

EKO TECH CO. LTD.

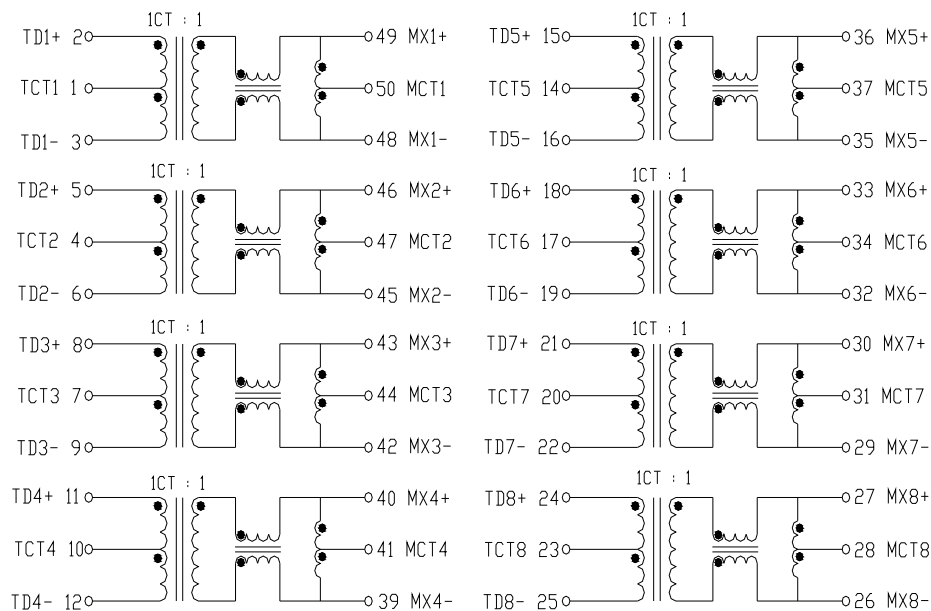
100/1000 BASE-T TRANSFORMER MODULES

SCHEMATICS

GS5011XXX



GS5012X



EKO TECH CO. LTD.

HEAD OFFICE :

5F-1, 128, Xinhua 2nd. Rd.,

Neihu Chiu, Taipei, Taiwan 114

TEL : 886- 2- 2791- 9208

FAX : 886- 2- 2791- 9271

Email : sales@eko.com.tw

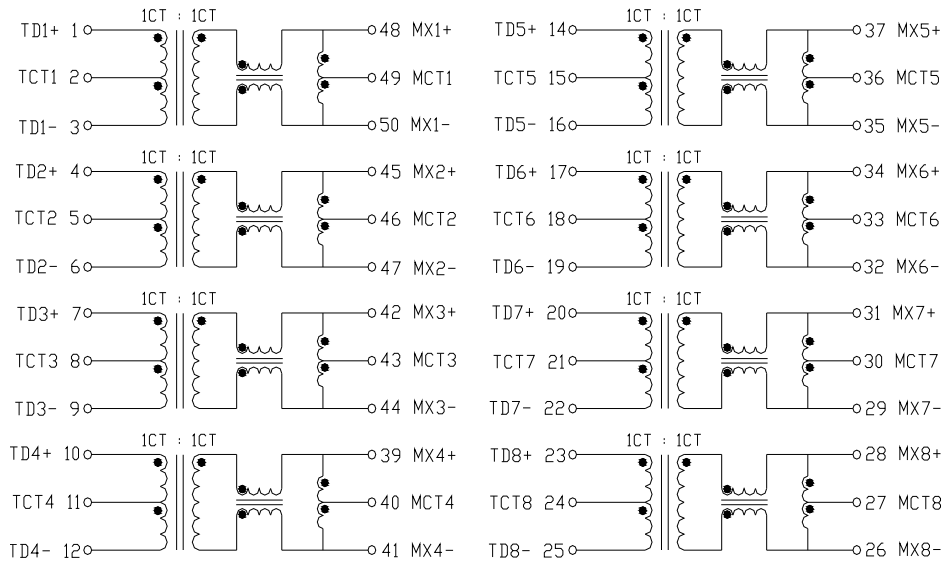
Data subject to change without notice. Please contact Tag for assistance locating product specifications

EKO TECH CO. LTD.

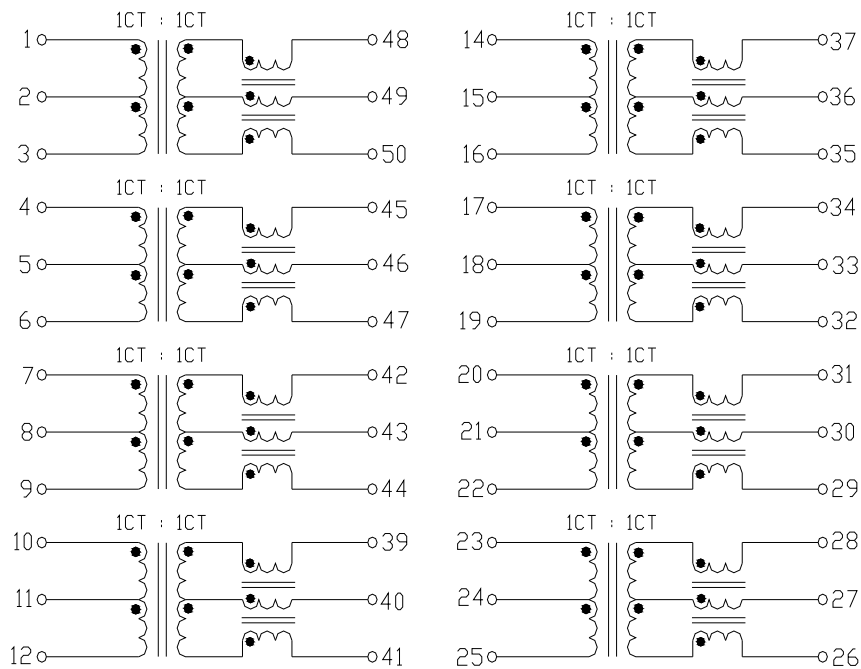
100/1000 BASE-T TRANSFORMER MODULES

SCHEMATICS

GS5013XXX



GS5014XX



EKO TECH CO. LTD.

HEAD OFFICE :

5F-1, 128, Xinhua 2nd. Rd.,

Neihu Chiu, Taipei, Taiwan 114

TEL : 886- 2- 2791- 9208

FAX : 886- 2- 2791- 9271

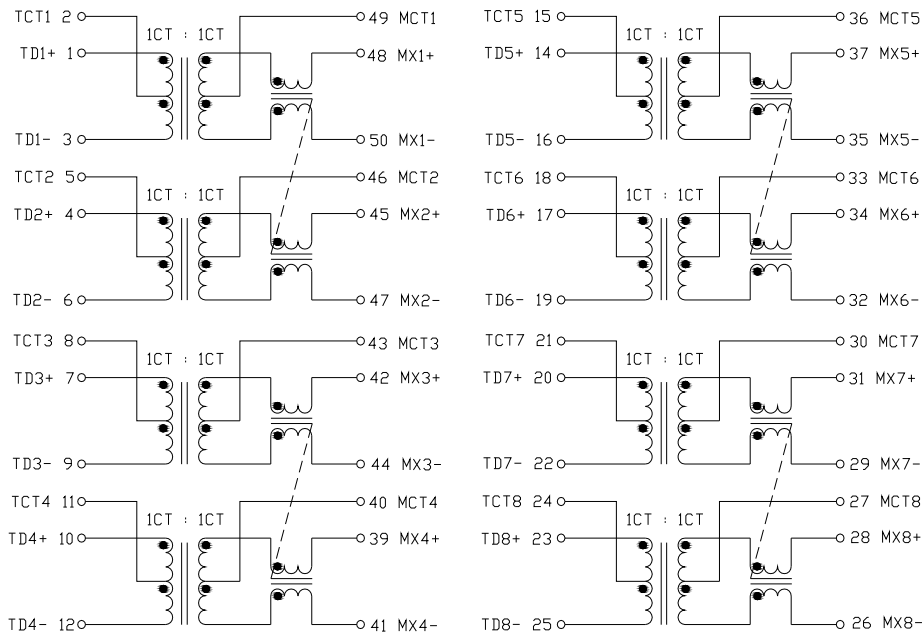
Email : sales@eko.com.tw

EKO TECH CO. LTD.

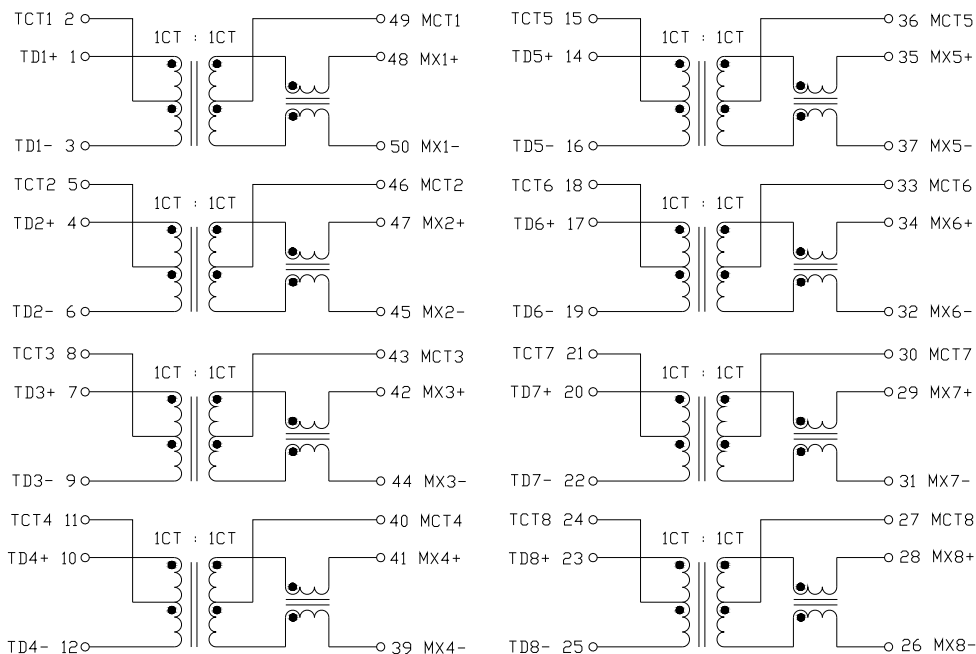
100/1000 BASE-T TRANSFORMER MODULES

SCHEMATICS

GS5015XX



GS5016XX



EKO TECH CO. LTD.

HEAD OFFICE :

5F-1, 128, Xinhu 2nd. Rd.,

Neihu Chiu, Taipei, Taiwan 114

TEL : 886- 2- 2791- 9208

FAX : 886- 2- 2791- 9271

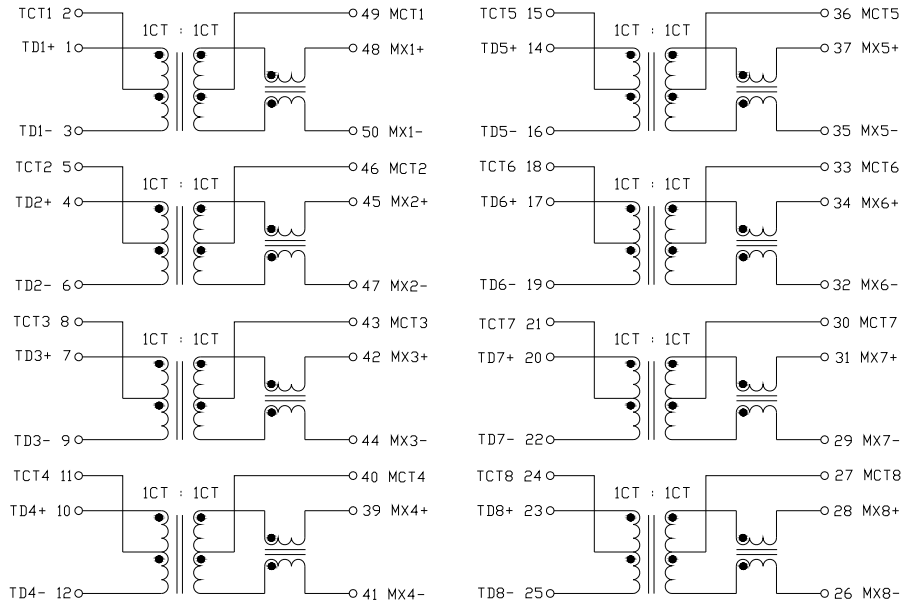
Email : sales@eko.com.tw

EKO TECH CO. LTD.

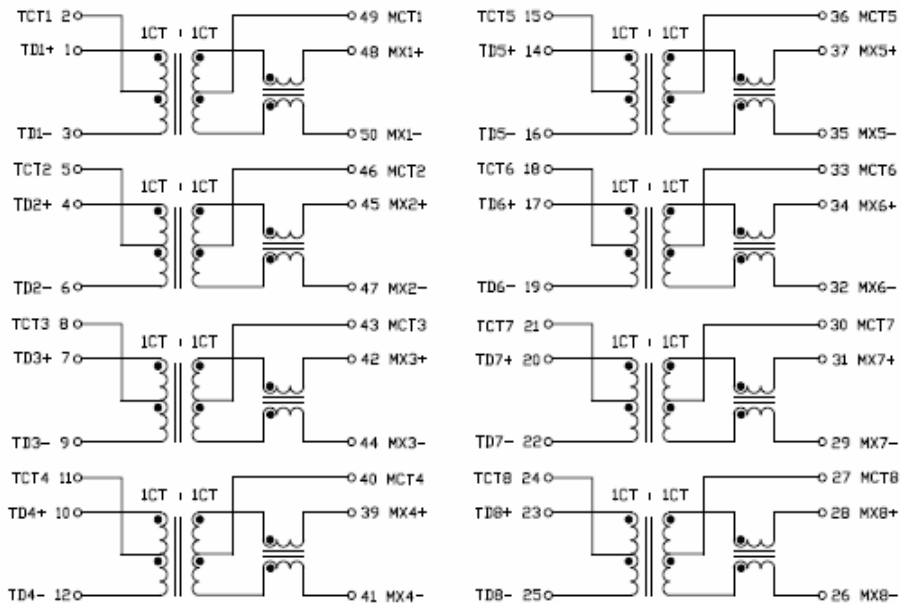
100/1000 BASE-T TRANSFORMER MODULES

SCHEMATICS

GS5017XX



GS5018XX



EKO TECH CO. LTD.

HEAD OFFICE :

5F-1, 128, Xinhua 2nd. Rd.,

Neihu Chiu, Taipei, Taiwan 114

TEL : 886- 2- 2791- 9208

FAX : 886- 2- 2791- 9271

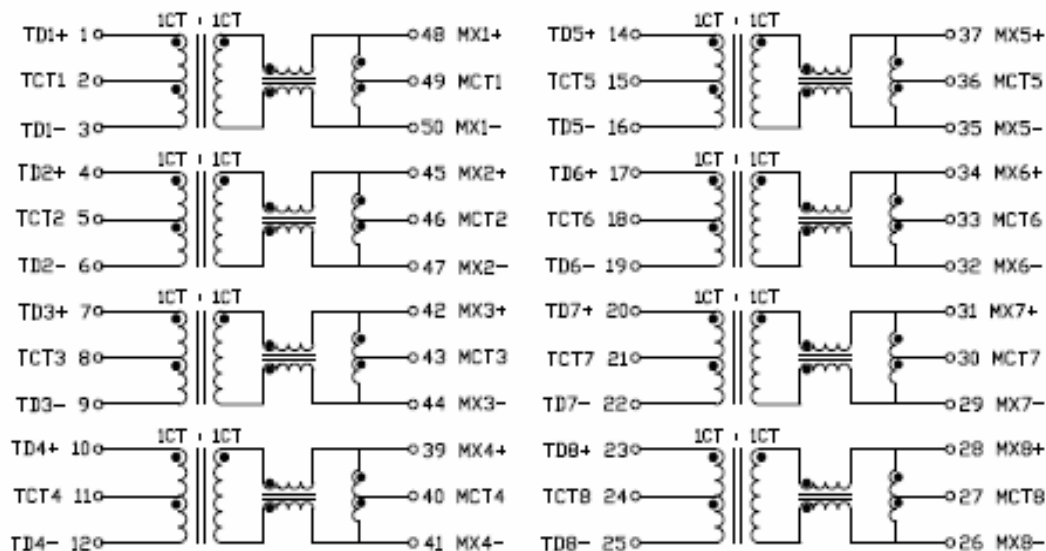
Email : sales@eko.com.tw

EKO TECH CO. LTD.

100/1000 BASE-T TRANSFORMER MODULES

SCHEMATICS

GS5019XX



EKO TECH CO. LTD.

HEAD OFFICE :

5F-1, 128, Xinhua 2nd. Rd.,

Neihu Chiu, Taipei, Taiwan 114

TEL : 886- 2- 2791- 9208

FAX : 886- 2- 2791- 9271

Email : sales@eko.com.tw

EKO TECH CO. LTD.

LOG BASE-T TRANSFORMER MODULES

Compliant with IEEE 802.3 standard

Qualified with top 10Gig PHY Manufacturer

Fine-tuned magnetics to specific PHY vendors

Low Profile Surface Mount Packaging Designed For Hi-Temp Reflow Process (245 °C Peak).

For RoHS Compliance.

ELECTRICAL SPECIFICATIONS @ 25°C - Operating Temperature 0°C to 70°C

Part Number	Insertion Loss (dB max)				Return Loss (dB min)					Crosstalk (dB min)			CMRR (dB min)			
	1-50MHz	200MHz	400MHz	500MHz	1MHz	100MHz	200MHz	400MHz	500MHz	1-100MHz	500MHz	50MHz	100MHz	200MHz	400MHz	500MHz
NS2401H	0.3	0.5	1.2	2.0	24	24	24	18	12	/	/	30	27	24	21	20
NS2402I	1.0	1.5	2.0	3.0	18	13	10	7	6	30	18	/	/	/	/	/

Note : Isolation Voltage (HiPot) of 1500Vrms

EKO TECH CO. LTD.

HEAD OFFICE :

5F-1, 128, Xinhu 2nd. Rd.,

Neihu Chiu, Taipei, Taiwan 114

TEL : 886- 2- 2791- 9208

FAX : 886- 2- 2791- 9271

Email : sales@eko.com.tw

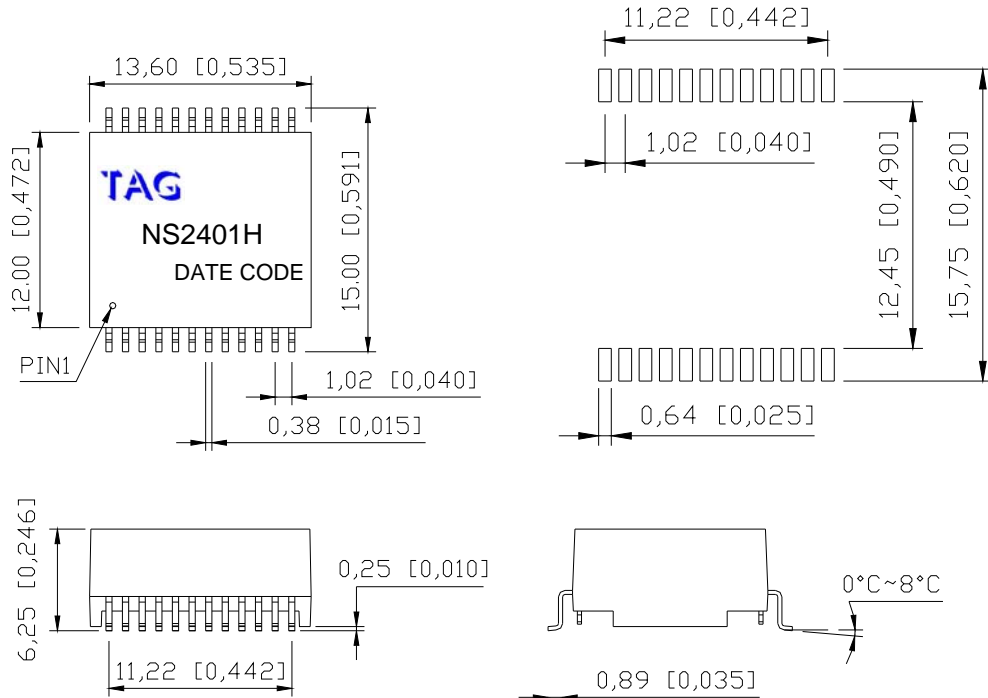
Data subject to change without notice. Please contact Tag for assistance locating product specifications

EKO TECH CO. LTD.

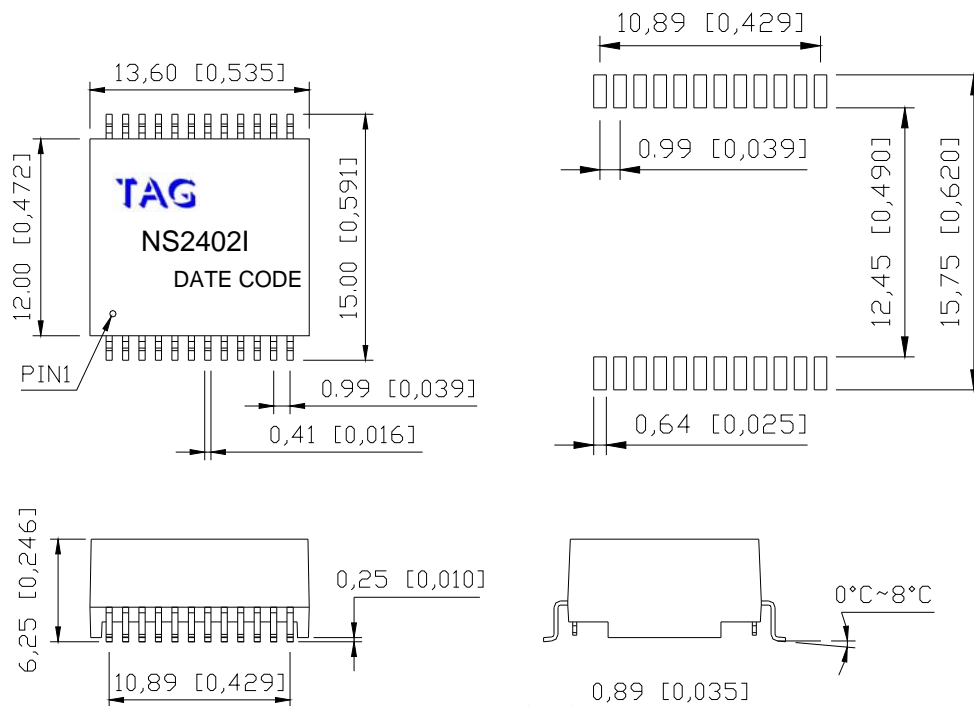
LOG BASE-T TRANSFORMER MODULES

MECHANICAL SPECIFICATIONS

NS2401H



NS2402I



EKO TECH CO. LTD.

HEAD OFFICE :

5F-1, 128, Xinhu 2nd. Rd.,

Neihu Chiu, Taipei, Taiwan 114

TEL : 886- 2- 2791- 9208

FAX : 886- 2- 2791- 9271

Email : sales@eko.com.tw

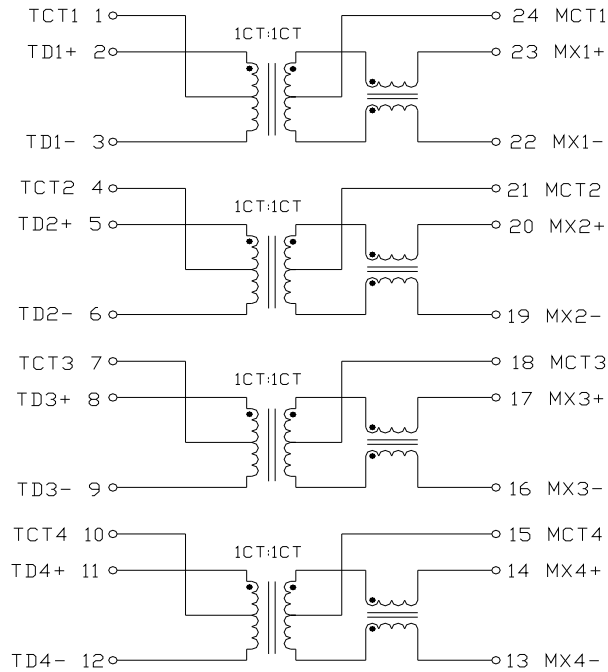
Data subject to change without notice. Please contact Tag for assistance locating product specifications

EKO TECH CO. LTD.

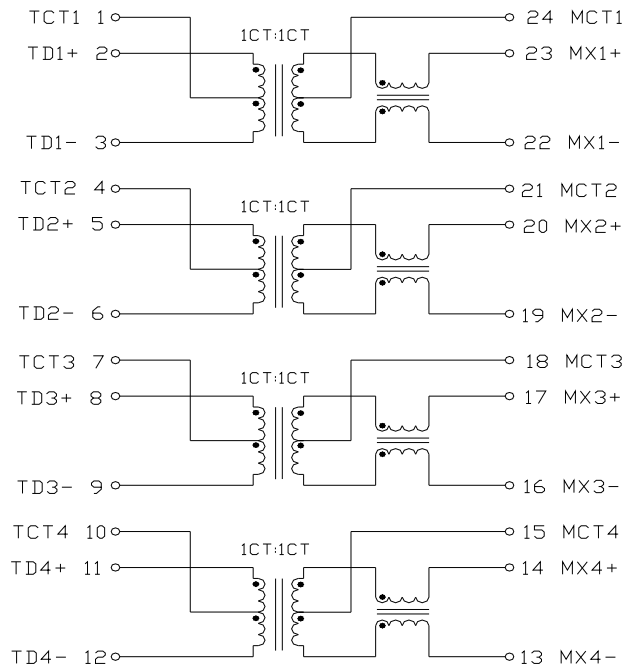
LOG BASE-T TRANSFORMER MODULES

SCHEMATICS

NS2401H



NS2402I



EKO TECH CO. LTD.

HEAD OFFICE :

5F-1, 128, Xinhu 2nd. Rd.,

Neihu Chiu, Taipei, Taiwan 114

TEL : 886- 2- 2791- 9208

FAX : 886- 2- 2791- 9271

Email : sales@eko.com.tw

Data subject to change without notice. Please contact Tag for assistance locating product specifications