



# MIGHTY MOUSE Cobra

## The Ultra-Low Profile EMI/RFI Plug and Backshell Assembly

Innovative shielded low profile right angle connector plug and backshell assemblies reduce clearance requirements without compromising ruggedness or shielding performance. Available in Series 801 double-start, Series 804 QDC push-pull, and Series 805 triple-start, Cobra assemblies provide optimal low-profile cable routing and legendary Mighty Mouse connector performance in a single package. Each Cobra assembly is equipped with a removable rear cover and gasket for easy crimp or solder contact termination of the connector. Both pin and socket versions are available for both crimp and solder terminated versions. Integrated low-profile backshell is equipped with an EMI/RFI shield termination platform and a shrink boot lip. The ultra-lightweight assembly may be clocked in eight different angle orientations for additional flexibility in cable routing. Connectors are equipped with polarization keying to prevent mismatching. Glenair Mighty Mouse Cobra connector and backshell assemblies mate with available square flange and jam nut receptacles from each respective connector series. Fourteen contact arrangements are available, all with Size #23 contacts from shell size 5 to shell size 21 with 3-130 contacts respectively. Connector shells are aluminum alloy or stainless steel.

- Space-saving design features one-piece machined and brazed connector shell and right angle backshell for minimum height and optimal EMI performance.
- Master key clocking enables easy cable entry/exit routing in eight angles
- Removable rear cover and gasket provides easy access to end of connector for crimp or solder contact termination

**G**lenair®

For more information  
contact Glenair at  
**818-247-6000** or  
visit our website at  
**[www.glenair.com](http://www.glenair.com)**

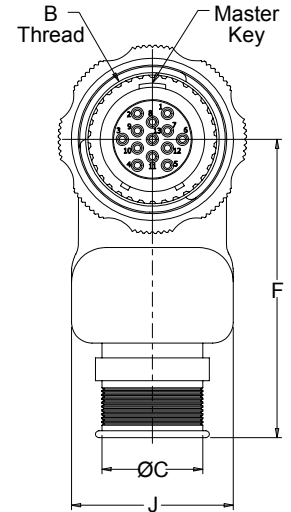
# MIGHTY MOUSE Cobra

## TECHNICAL SPECIFICATIONS

805-061 triple-start with self-locking coupling nut, exploded view



How To Order Mighty Mouse Cobra Plug Connector and Backshell Assemblies							
<b>Sample Part Number</b>	<b>801-069-26</b>	<b>ZNU</b>	<b>8-13</b>	<b>P</b>	<b>A</b>	<b>1</b>	<b>05</b>
<b>Connector Series and Mighty Mouse Cobra Basic Part Number</b>	<b>801-069-26</b> Double-Start self-locking plug with ratchet mechanism (the clicker) <b>804-066-06</b> QDC Push-Pull plug <b>805-061-16</b> Triple-Start plug with ratcheting anti-decoupling mechanism						
<b>Material/Finish</b>	<b>M, MT, NF, ZNU, Z1</b> - See Table I						
<b>Shell Size - Contact Arrangement</b>	See Table V - A: 801-069 B: 804-066 C: 805-061						
<b>Contact Style</b>	<b>A</b> = Pin, solder <b>B</b> = Socket, solder <b>P</b> = Pin, Crimp <b>S</b> = Socket, crimp						
<b>Polarization Key Position</b>	<b>A, B, C, D, E, F</b> - See Table III						
<b>Cable Exit Direction</b>	<b>1, 2, 3, 4, 5, 6, 7, 8</b> - See Table IV						
<b>Cable Entry Size</b>	See Table VI						



### Specifications

- Current Rating: #23 5 Amps
- Test Voltage (DWV) #23: 500 VAC Sea Level
- Insulation Resistance: 5000 megohms minimum
- Contact Resistance: 73 millivolt drop at 5 Amp test current
- Mating Cycles Series 801 and 804: 2000; Series 805: 500
- Operating Temperature: -55° C. to +150° C.
- Shielding Effectiveness: 50 dB min from 100MHz to 1000MHz.
- Magnetic Permeability: 2.0μ
- Vibration: 37g / Shock: 300g
- Immersion, mated: 1 meter water immersion for 1 hour

### Materials/finish

- Contacts: Copper alloy, gold plated
- Backshell Housing and Lid: Aluminum or Stainless Steel
- Backshell Sealing Gasket and Interfacial Seal: Fluorosilicone
- Screws: 300 Series Stainless Steel
- Insulator: LCP

### Notes

- Rear insulator grommet not supplied.
- Cobra plug connectors mate with respective series receptacles with same polarization and opposite contact gender.
- Hand crimp tool: P/N 809-015. Positioner for hand tool: P/N 809-005. Insertion/extraction tool P/N 809-088.
- Crimp barrel accommodates 22, 24, 26 and 28 gage wire.
- All Cobra plugs equipped with Size #23 contacts.

Table I: Shell Material/Finish		
Symbol	Material	Finish
<b>M</b>	Aluminum Alloy	Electroless Nickel (RoHS)
<b>NF</b>		Cad/O.D. over Electroless Nickel
<b>MT</b>		Nickel-PTFE (RoHS)
<b>ZNU</b>		Black Zinc Nickel over Electroless Nickel (RoHS)
<b>Z1</b>	Stainless Steel	Passivate

Table III: Key Positions		
	<b>A°</b>	<b>B°</b>
<b>A</b>	150°	210°
<b>B</b>	75°	210°
<b>C</b>	95°	230°
<b>D</b>	140°	275°
<b>E</b>	75°	275°
<b>F</b>	95°	210°

Table IV: Exit Direction	
Direction	C°
1	0°
2	45°
3	90°
4	135°
5	180°
6	225°
7	270°
8	315°

Direction 2 Shown

Table VI - Cable Entry	
Code	Entry Size
02	.125
03	.188
04	.250
05	.313
06	.375
07	.438
08	.500
09	.563
10	.625
11	.688
12	.750
13*	.813
14*	.875
15*	.938
16*	1.000
17*	1.063

\* Entry codes 13-17 not available for Series 804 Cobra

Table V - Shell Size/Contact Arrangements								
A: 801-069			B: 804-066			C: 805-061		
Shell Size	Contact Arrangement	Max Entry	Shell Size	Contact Arrangement	Max Entry	Shell Size	Contact Arrangement	Max Entry
5	5-3	03	5	5-3	03	8	8-4, 8-6, 8-7	04
6	6-4, 6-6, 6-7	04	6	6-4, 6-6, 6-7	04	9	9-10	05
7	7-10	05	7	7-10	05	10	10-13	06
8	8-13	06	8	8-13	06	11	11-19	07
9	9-19	07	9	9-19	07	12	12-26	08
10	10-26	08	10	10-26	08	13	13-31	09
11	11-31	09	12	12-37	10	15	15-37	10
13	13-37	10	14	14-55	12	18	18-55	12
16	16-55	12				19	19-85	13
17	17-85	13				21	21-100	15
19	19-100	15				23	23-130	17
21	21-130	17						



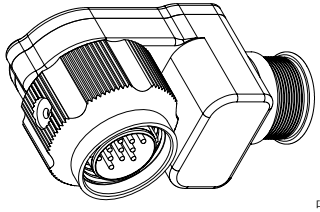
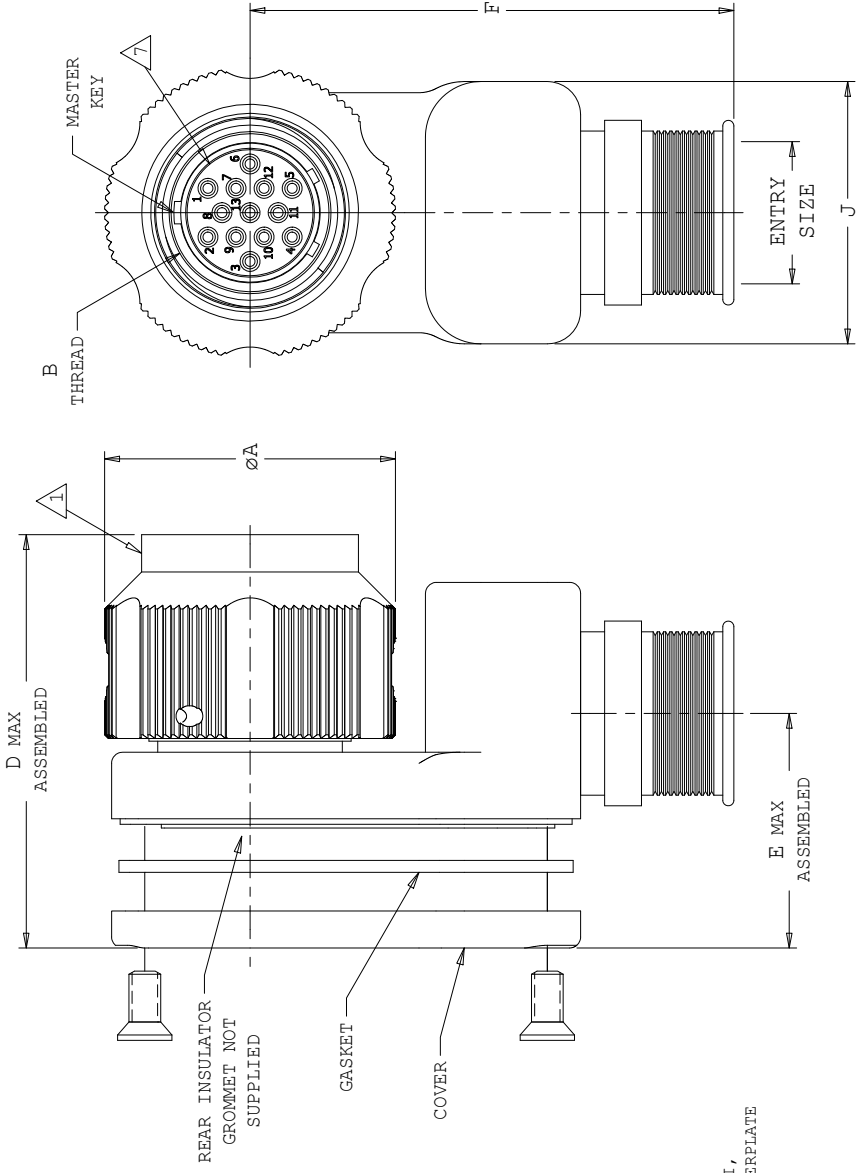
THIS COPYRIGHTED DOCUMENT IS THE PROPERTY OF GLENNAIR, INC. AND IS FURNISHED ON THE CONDITION THAT IT IS NOT TO BE DISCLOSED, REPRODUCED IN WHOLE OR IN PART, OR USED TO SOLICIT QUOTATIONS FROM COMPETITIVE SOURCES, OR USED FOR MANUFACTURE BY ANYONE OTHER THAN GLENNAIR, INC. WITHOUT WRITTEN PERMISSION FROM GLENNAIR, INC. THE INFORMATION HEREIN HAS BEEN DEVELOPED AT GLENNAIR'S EXPENSE AND MAY BE USED FOR ENGINEERING EVALUATION AND INCORPORATION INTO TECHNICAL SPECIFICATIONS AND OTHER DOCUMENTS WHICH SPECIFY PROCUREMENT OF PRODUCTS FROM GLENNAIR, INC.

REVISION HISTORY		DATE	APPROVED
REV	DESCRIPTION		
A	PRODUCTION RELEASE	10/09/12	EAG
B	REVISED PER DCN #45302	02/12/13	EAG

TABLE I - MATERIAL / FINISH CLASS

CLASS	SHELL MATERIAL	FINISH
M	ALUMINUM ALLOY	ELECTROLESS NICKEL (ROHS)
MT	ALUMINUM ALLOY	NICKEL-PTFE (ROHS)
NF	ALUMINUM ALLOY	OLIVE DRAB CADMIUM OVER ELECTROLESS NICKEL
ZNU	ALUMINUM ALLOY	BLACK ZINC-NICKEL OVER ELECTROLESS NICKEL (ROHS)
Z1	STAINLESS STEEL	PASSIVATE (ROHS)

CONTACT GLENNAIR FOR ADDITIONAL FINISHES



- NOTES: UNLESS OTHERWISE SPECIFIED
- ASSEMBLY TO BE IDENTIFIED WITH GLENNAIR'S NAME, PART NUMBER, AND DATE CODE, SPACE PERMITTING.
  - MATERIAL / FINISH:
    - PLUG BARREL, COUPLING NUT, HOUSING, COVER - ALUMINUM ALLOY OR STAINLESS STEEL / SEE TABLE I
    - INSULATOR - LCP / NONE
    - INTERFACIAL SEAL, GASKET - FLUOROSILICONE / NONE
    - CONTACT - COPPER ALLOY / GOLD PLATE PER ASTM B 488, TYPE II, CODE C, CLASS 1.25 (.00005 MIN THK), OVER A SUITABLE UNDERPLATE
    - CONTACT RETENTION CLIP - BERYLLIUM COPPER ALLOY / NONE
    - HARDWARE - STAINLESS STEEL / PASSIVATE OR BLACK OXIDE
    - RETAINING WIRE - TORLON / NONE
    - DETENT SPRING / RIVET - STAINLESS STEEL / PASSIVATE
  - CONTACTS ARE SIZE 23.
  - CONSULT FACTORY FOR ADDITIONAL CONTACT ARRANGEMENTS AND/OR SHELL ORIENTATIONS.
  - CRIMP BARREL ACCOMMODATES 22, 24, 26, AND 28 GAGE WIRE.
  - CRIMP TOOL DATA:
    - A. HAND CRIMP TOOL: GLENNAIR PART NO. 809-015.
    - B. POSITIONER FOR HAND TOOL: GLENNAIR PART NO. 809-005.
    - C. INSERTION/EXTRACTION TOOL: GLENNAIR PART NO. 809-088.
  - CONTACT ARRANGEMENT, CONTACT GENDER, KEY POSITIONS, AND SHELL ORIENTATION SHOWN ARE FOR REFERENCE ONLY.
  - THIS CONNECTOR MATES WITH ALL QUICK COUPLING, HIGH DENSITY RECEPTACLE CONNECTORS WITH SAME POLARIZATION AND OPPOSITE CONTACT GENDER (801-003 THROUGH 801-006 AND 801-009 THROUGH 801-012).
  - REAR INSULATOR GROMMET NOT SUPPLIED.

UNLESS OTHERWISE SPECIFIED	DRAWN	EAG	03/05/12
CHECK	GSB	03/05/12	
ENGR	EAG	03/05/12	
DIMENSIONS ARE IN INCHES			
TOLERANCES			
FRACTIONS	± 1/16		
DECIMALS	.XX ± .03		
	.XXX ± .015		
ANGLES	± 2°		
DO NOT SCALE THIS DRAWING	APPROVED	03/05/12	
B/F 10C5078 P/C 80	RELEASE DATE	03/05/12	
	RELEASE DATE		
TITLE			
GLENNAIR, INC.			
1211 AIR WAY - GLENDALE - CALIFORNIA 91201			
PLUG CONNECTOR,			
SERIES 801, RATCHETING,			
COBRA STYLE			
CODE IDENT. NO. / SIZE DRAWING NO.	06324 A 801-069		
REV.	B		
SCALE	N.A.	WEIGHT	N.A.
SHEET	1	OF	2

THIS COPYRIGHTED DOCUMENT IS THE PROPERTY OF GLENAIR, INC. AND IS FURNISHED ON THE CONDITION THAT IT IS NOT TO BE DISCLOSED, REPRODUCED IN WHOLE OR IN PART, OR USED TO SOLICIT QUOTATIONS FROM COMPETITIVE SOURCES, OR USED FOR MANUFACTURE BY ANYONE OTHER THAN GLENAIR, INC. WITHOUT WRITTEN PERMISSION FROM GLENAIR, INC. THE INFORMATION HEREIN HAS BEEN DEVELOPED AT GLENAIR'S EXPENSE AND MAY BE USED FOR ENGINEERING EVALUATION AND INCORPORATION INTO TECHNICAL SPECIFICATIONS AND OTHER DOCUMENTS WHICH SPECIFY PROCUREMENT OF PRODUCTS FROM GLENAIR, INC.

REVISION HISTORY  
SEE SHEET 1 OF 2

TABLE II - DIMENSIONAL DATA

SHELL SIZE	ØA	B THREAD	D	E	F	G	H	J	MAX ENTRY
5	.65 [16.5]	.3125-.05P-.1L-2B	.84 [21.3]	.32 [8.1]	1.21 [30.7]	1.40 [35.6]	1.23 [31.2]	.500 [12.70]	04
6	.65 [16.5]	.3750-.05P-.1L-2B	.86 [21.8]	.34 [8.6]	1.24 [31.5]	1.42 [36.1]	1.25 [31.8]	.560 [14.22]	03
7	.69 [17.5]	.4375-.05P-.1L-2B	.88 [22.4]	.39 [9.9]	1.28 [32.5]	1.44 [36.6]	1.27 [32.3]	.650 [16.51]	05
8	.79 [20.1]	.5000-.05P-.1L-2B	.89 [22.6]	.42 [10.7]	1.31 [33.3]	1.45 [36.8]	1.28 [32.5]	.710 [18.03]	06
9	.83 [21.1]	.5625-.05P-.1L-2B	.92 [23.4]	.45 [11.4]	1.34 [34.0]	1.48 [37.6]	1.31 [33.3]	.770 [19.56]	07
10	.92 [23.4]	.6250-.05P-.1L-2B	.96 [24.4]	.48 [12.2]	1.37 [34.8]	1.52 [38.6]	1.35 [34.3]	.835 [21.21]	08
11	T.B.D.	.6875-.05P-.1L-2B	T.B.D.	T.B.D.	T.B.D.	T.B.D.	T.B.D.	T.B.D.	09
13	1.10 [27.9]	.8125-.1P-.2L-2B	1.13 [28.7]	.52 [13.2]	1.48 [37.6]	1.80 [45.7]	1.63 [41.4]	.950 [24.13]	10
16	1.34 [34.0]	1.0000-.1P-.2L-2B	T.B.D.	T.B.D.	T.B.D.	T.B.D.	T.B.D.	T.B.D.	12
17	1.45 [36.8]	1.0625-.1P-.2L-2B	1.28 [32.5]	.63 [16.0]	1.78 [45.2]	1.92 [48.8]	1.78 [45.2]	1.180 [29.97]	13
19	1.50 [38.1]	1.1875-.1P-.2L-2B	T.B.D.	T.B.D.	T.B.D.	T.B.D.	T.B.D.	T.B.D.	15
21	1.65 [41.9]	1.3125-.1P-.2L-2B	T.B.D.	T.B.D.	T.B.D.	T.B.D.	T.B.D.	T.B.D.	17

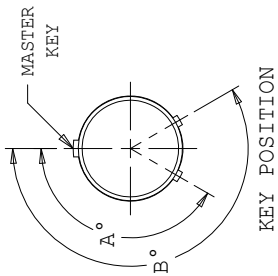


TABLE III - KEY POSITION

POSITION	A°	B°
A (NORMAL)	150°	210°
B	75°	210°
C	95°	230°
D	140°	275°
E	75°	275°
F	95°	210°

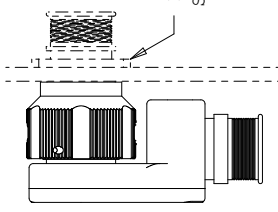


TABLE IV - EXIT DIRECTION

DIRECTION	C°
1	0°
2	45°
3	90°
4	135°
5	180°
6	225°
7	270°
8	315°

(POSITION A SHOWN)

PART NUMBER DEVELOPMENT

EXAMPLE: 801-069 -26 ZNU 8-13 P A 1 05

CONNECTOR SERIES

SHELL STYLE  
-26 = SELF-LOCKING PLUG WITH RATCHET MECHANISM (THE "CLICKER")

CLASS (SEE TABLE I)

SHELL SIZE - CONTACT ARRANGEMENT  
(SEE TABLE V)

CONTACT STYLE

- A = PIN, SOLDER
- B = SOCKET, SOLDER
- P = PIN, CRIMP
- S = SOCKET, CRIMP

KEY POSITION

A THROUGH F (SEE TABLE III)

CABLE EXIT DIRECTION

1 THROUGH 8 (SEE TABLE IV)

CABLE ENTRY SIZE (SEE TABLE VI)

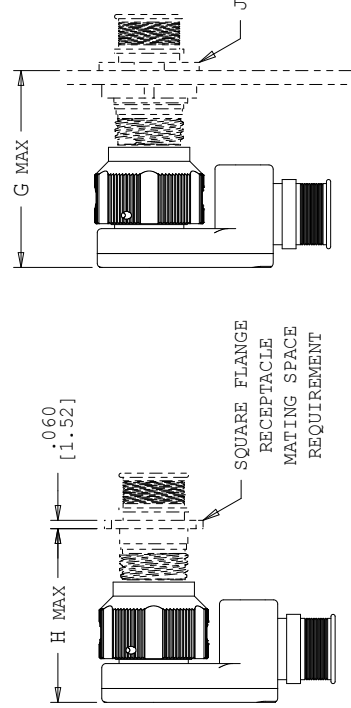
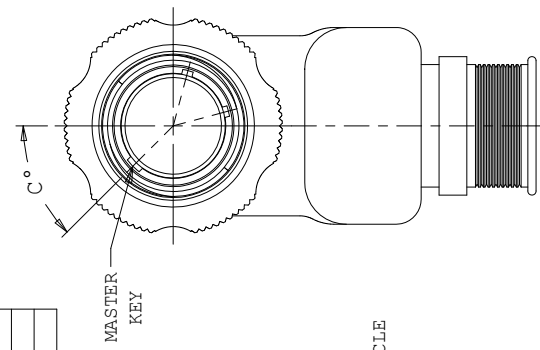


TABLE V - AVAILABLE ARRANGEMENTS

SHELL SIZE	CONTACT ARRANGEMENT*
5	5-3
6	6-4, 6-6, 6-7
7	7-10
8	8-13
9	9-19
10	10-26
11	11-31
13	13-37
16	16-55
17	17-85
19	19-100
21	21-130

\*: # FOLLOWING DASH = # OF CONTACTS

CABLE EXIT DIRECTION  
(DIRECTION 2 SHOWN)

UNLESS OTHERWISE SPECIFIED	DRAWN	EAG	03/05/12
DIMENSIONS ARE IN INCHES	CHECK	GSB	03/05/12
TOLERANCES	ENGR	EAG	03/05/12
FRACTIONS ± 1/16	 APPROVED		
DECIMALS .XX ± .03			
DECIMALS .XXX ± .015			
ANGLES ± 2°	DO NOT SCALE THIS DRAWING	RELEASE DATE	03/05/12
B/F 10C5078/P/C 80		SCALE	N.A.
TITLE		CODE IDENT. NO.	REV.
GLENAIR, INC.		06324 A	801-069 B
1211 AIR WAY - GLENDALE - CALIFORNIA 91201		SHEET 2 OF 2	
PLUG CONNECTOR, SERIES 801, RATCHETING, COBRA STYLE			

THIS COPYRIGHTED DOCUMENT IS THE PROPERTY OF GLENRAIR, INC. AND IS FURNISHED ON THE CONDITION THAT IT IS NOT TO BE DISCLOSED, REPRODUCED IN WHOLE OR IN PART, OR USED TO SOLICIT QUOTATIONS FROM COMPETITIVE SOURCES, OR USED FOR MANUFACTURE BY ANYONE OTHER THAN GLENRAIR, INC. WITHOUT WRITTEN PERMISSION FROM GLENRAIR, INC. THE INFORMATION HEREIN HAS BEEN DEVELOPED AT GLENRAIR'S EXPENSE AND MAY BE USED FOR ENGINEERING EVALUATION AND INCORPORATION INTO TECHNICAL SPECIFICATIONS AND OTHER DOCUMENTS WHICH SPECIFY PROCUREMENT OF PRODUCTS FROM GLENRAIR, INC.

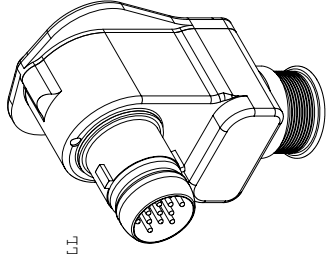
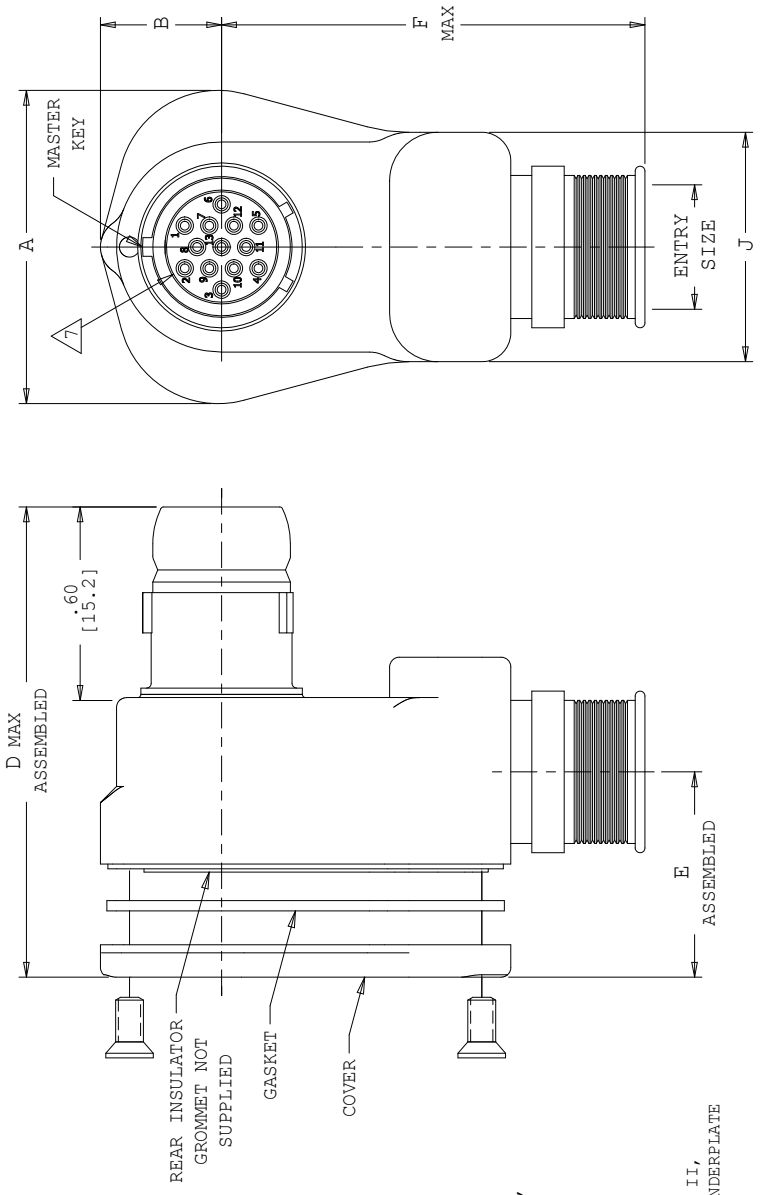
REV	DESCRIPTION	DATE	APPROVED
A	PRODUCTION RELEASE	01/18/13	EAG
B	REVISED PER DCN #45302	02/12/13	EAG

REVISION HISTORY			
REV	DESCRIPTION	DATE	APPROVED
A	PRODUCTION RELEASE	01/18/13	EAG
B	REVISED PER DCN #45302	02/12/13	EAG

TABLE I - MATERIAL / FINISH CLASS

CLASS	SHELL MATERIAL	FINISH
M	ALUMINUM ALLOY	ELECTROLESS NICKEL (ROHS)
MT	ALUMINUM ALLOY	NICKEL-PTFE (ROHS)
NF	ALUMINUM ALLOY	OLIVE DRAB CADMIUM OVER ELECTROLESS NICKEL
ZNU	ALUMINUM ALLOY	BLACK ZINC-NICKEL OVER ELECTROLESS NICKEL (ROHS)
Z1	STAINLESS STEEL	PASSIVATE (ROHS)

CONTACT GLENRAIR FOR ADDITIONAL FINISHES



FACE VIEW OF PLUG  
AS VIEWED FROM ENGAGING END  
(8-13PA1 SHOWN)

NOTES: UNLESS OTHERWISE SPECIFIED

ASSEMBLY TO BE IDENTIFIED WITH GLENRAIR'S NAME, PART NUMBER, AND DATE CODE, SPACE PERMITTING.

- MATERIAL / FINISH:  
PLUG BARREL, HOUSING, COVER - ALUMINUM ALLOY OR STAINLESS STEEL / SEE TABLE I  
INSULATOR - ICP / NONE  
INTERFACIAL SEAL, GASKET - FLUOROSILICONE / NONE  
CONTACT - COPPER ALLOY / GOLD PLATE PER ASTM B 488, TYPE II, CODE C, CLASS 1.25 (.0005 MIN THK), OVER A SUITABLE UNDERPLATE  
CONTACT RETENTION CLIP - BERYLLIUM COPPER ALLOY / NONE  
HARDWARE - STAINLESS STEEL / PASSIVATE OR BLACK OXIDE

- CONTACTS ARE SIZE 23.
- CONSULT FACTORY FOR ADDITIONAL CONTACT ARRANGEMENTS AND/OR SHELL ORIENTATIONS.

- CRIMP BARREL ACCOMMODATES 22, 24, 26, AND 28 GAGE WIRE.
- CRIMP TOOL DATA:  
A. HAND CRIMP TOOL: GLENRAIR PART NO. 809-015.  
B. POSITIONER FOR HAND TOOL: GLENRAIR PART NO. 809-005.  
C. INSERTION/EXTRACTION TOOL: GLENRAIR PART NO. 809-088.

CONTACT ARRANGEMENT, CONTACT GENDER, KEY POSITIONS, AND SHELL ORIENTATION SHOWN ARE FOR REFERENCE ONLY.

- THIS CONNECTOR MATES WITH ALL QUICK-DISCONNECT, HIGH DENSITY RECEPTACLE CONNECTORS WITH SAME POLARIZATION AND OPPOSITE CONTACT GENDER (804-003 THROUGH 804-006, 804-009, 804-020, AND 804-021).

- REAR INSULATOR GROMMET NOT SUPPLIED.

UNLESS OTHERWISE SPECIFIED		DRWN	EAG	01/18/13
DIMENSIONS ARE IN INCHES		CHECK	JMT	01/18/13
TOLERANCES		ENGR	EAG	01/18/13
FRACTIONS	± 1/16	<i>D. Brown</i> APPROVED		
DECIMALS	.XX ± .03			
DECIMALS	.XXX ± .015			
ANGLES	± 2°	DO NOT SCALE THIS DRAWING		
DO NOT SCALE THIS DRAWING		RELEASE DATE	01/18/13	
B/F 12C3202 P/C 80		RELEASE DATE	01/18/13	
		SCALE	N.A.	SHEET 1 OF 2

**GLENRAIR, INC.**  
1211 AIR WAY - GLENDALE - CALIFORNIA 91201  
TITLE: PLUG CONNECTOR,  
SERIES 804,  
COBRA STYLE  
CODE IDENT. NO. SIZE DRAWING NO. REV.  
06324 A 804-066 B

THIS COPYRIGHTED DOCUMENT IS THE PROPERTY OF GLENAIR, INC. AND IS FURNISHED ON THE CONDITION THAT IT IS NOT TO BE DISCLOSED, REPRODUCED IN WHOLE OR IN PART, OR USED TO SOLICIT QUOTATIONS FROM COMPETITIVE SOURCES, OR USED FOR MANUFACTURE BY ANYONE OTHER THAN GLENAIR, INC. WITHOUT WRITTEN PERMISSION FROM GLENAIR, INC. THE INFORMATION HEREIN HAS BEEN DEVELOPED AT GLENAIR'S EXPENSE AND MAY BE USED FOR ENGINEERING EVALUATION AND INCORPORATION INTO TECHNICAL SPECIFICATIONS AND OTHER DOCUMENTS WHICH SPECIFY PROCUREMENT OF PRODUCTS FROM GLENAIR, INC.

REVISION HISTORY  
SEE SHEET 1 OF 2

TABLE II - DIMENSIONAL DATA

SHELL SIZE	øA	B	D	E	F	G	H	J	MAX ENTRY
5	.67 [17.0]	.27 [6.9]	1.03 [26.2]	.29 [7.4]	1.24 [31.5]	1.31 [33.4]	1.16 [29.5]	.500 [12.7]	03
6	.75 [19.1]	.30 [7.6]	1.08 [27.4]	.31 [7.9]	1.27 [32.3]	1.36 [34.5]	1.21 [30.7]	.560 [14.2]	04
7	.88 [22.4]	.34 [8.6]	1.20 [30.5]	.36 [9.1]	1.31 [33.3]	1.47 [37.3]	1.32 [33.5]	.650 [16.5]	05
8	.97 [24.6]	.38 [9.7]	1.24 [31.5]	.39 [9.9]	1.34 [34.0]	1.51 [38.4]	1.36 [34.5]	.710 [18.0]	06
9	1.06 [26.9]	.41 [10.4]	1.30 [33.0]	.42 [10.7]	1.37 [34.8]	1.58 [40.1]	1.43 [36.3]	.770 [19.6]	07
10	1.15 [29.2]	.44 [11.2]	1.35 [34.3]	.45 [11.4]	1.40 [35.6]	1.62 [41.1]	1.47 [37.3]	.835 [21.2]	08
12	1.33 [33.8]	.50 [12.7]	1.44 [36.6]	.49 [12.4]	1.51 [38.4]	1.71 [43.4]	1.56 [39.6]	.950 [24.1]	10
14	T.B.D.	T.B.D.	T.B.D.	T.B.D.	T.B.D.	T.B.D.	T.B.D.	T.B.D.	12

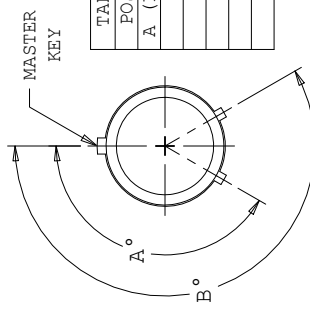


TABLE III - KEY POSITION

POSITION	A°	B°
A (NORMAL)	150°	210°
B	75°	210°
C	95°	230°
D	140°	275°
E	75°	275°
F	95°	210°

KEY POSITION  
(POSITION A SHOWN)

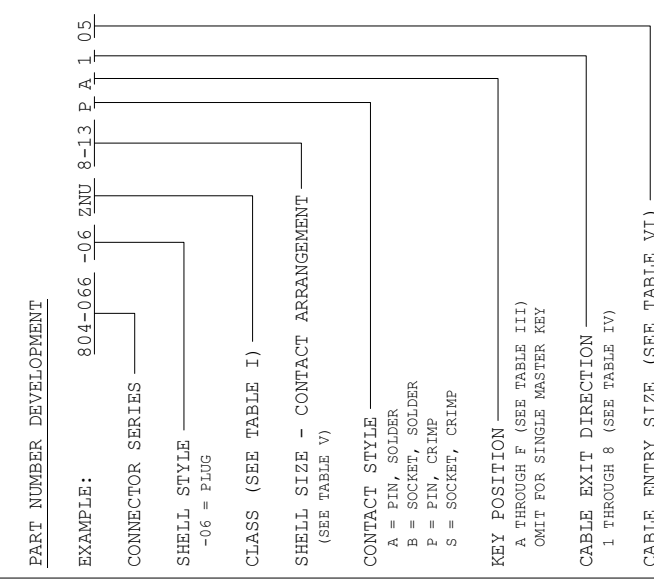
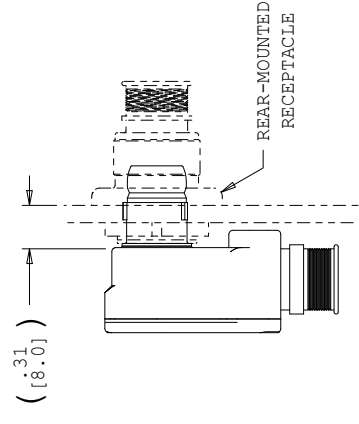
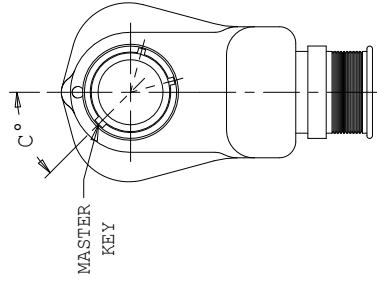


TABLE VI - CABLE ENTRY

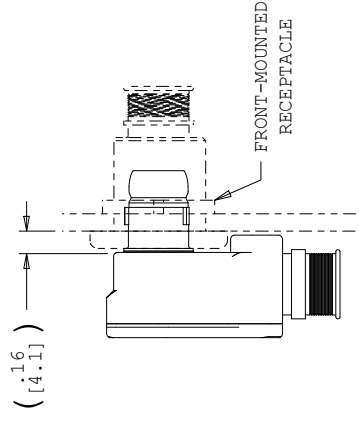
CODE	ENTRY SIZE
02	.125
03	.188
04	.250
05	.313
06	.375
07	.438
08	.500
09	.563
10	.625
11	.688
12	.750

TABLE IV - EXIT DIRECTION

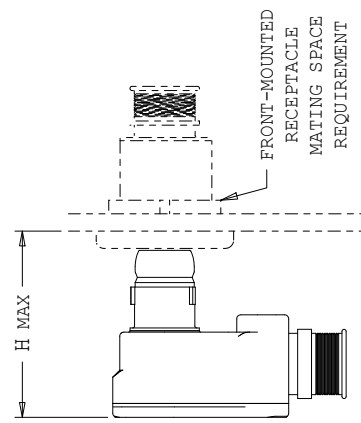
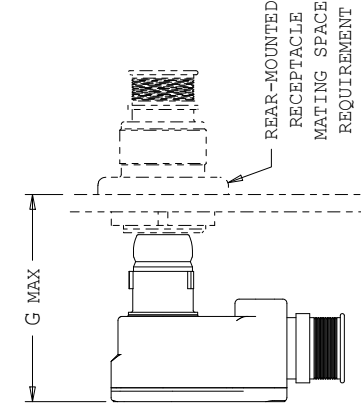
DIRECTION	C°
1	0°
2	45°
3	90°
4	135°
5	180°
6	225°
7	270°
8	315°



SHOWN INSTALLED



SHOWN INSTALLED



CABLE EXIT DIRECTION  
(DIRECTION 2 SHOWN)

TABLE V - AVAILABLE ARRANGEMENTS

SHELL SIZE	CONTACT ARRANGEMENT*
5	5-3
6	6-4, 6-6, 6-7
7	7-10
8	8-13
9	9-19
10	10-26
12	12-37
14	14-55

\*: # FOLLOWING DASH = # OF CONTACTS

UNLESS OTHERWISE SPECIFIED  
DIMENSIONS ARE IN INCHES  
TOLERANCES  
FRACTIONS ± 1/16  
DECIMALS .XX ± .03  
.XXX ± .015  
ANGLES ± 2°

DO NOT SCALE THIS DRAWING  
RELEASE DATE 01/18/13  
RELEASE DATE 01/18/13

DRAWN EAG 01/18/13  
CHECK JMT 01/18/13  
ENGR EAG 01/18/13

APPROVED  
*B. Brown*

CODE IDENT. NO. SIZE DRAWING NO. REV.  
06324 A 804-066 B

SCALE N.A. SHEET 2 OF 2

TITLE  
PLUG CONNECTOR,  
SERIES 804,  
COBRA STYLE

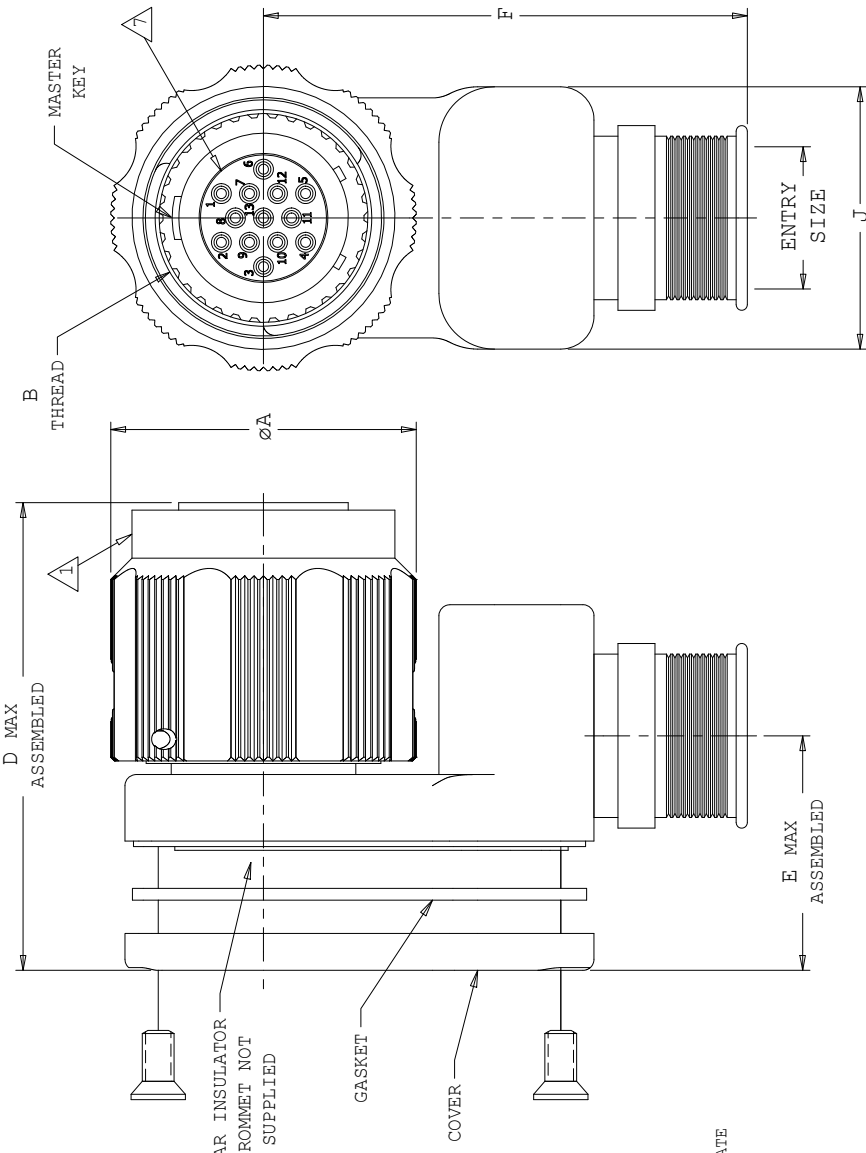
1211 AIR WAY - GLENDALE - CALIFORNIA 91201  
GLENAIR, INC.

THIS COPYRIGHTED DOCUMENT IS THE PROPERTY OF GLENAIR, INC. AND IS FURNISHED ON THE CONDITION THAT IT IS NOT TO BE DISCLOSED, REPRODUCED IN WHOLE OR IN PART, OR USED TO SOLICIT QUOTATIONS FROM COMPETITIVE SOURCES, OR USED FOR MANUFACTURE BY ANYONE OTHER THAN GLENAIR, INC. WITHOUT WRITTEN PERMISSION FROM GLENAIR, INC. THE INFORMATION HEREIN HAS BEEN DEVELOPED AT GLENAIR'S EXPENSE AND MAY BE USED FOR ENGINEERING EVALUATION AND INCORPORATION INTO TECHNICAL SPECIFICATIONS AND OTHER DOCUMENTS WHICH SPECIFY PROCUREMENT OF PRODUCTS FROM GLENAIR, INC.

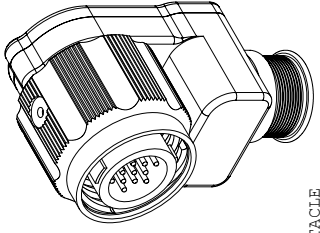
REVISION HISTORY		DATE	APPROVED
REV A	DESCRIPTION PRODUCTION RELEASE	07/19/12	EAG
REV B	REVISED PER DCN #45302	02/12/13	EAG

TABLE I - MATERIAL / FINISH CLASS	
CLASS	SHELL MATERIAL FINISH
M	ALUMINUM ALLOY ELECTROLESS NICKEL (ROHS)
MT	ALUMINUM ALLOY NICKEL-PTFE (ROHS)
NF	ALUMINUM ALLOY OLIVE DRAB CADMIUM OVER ELECTROLESS NICKEL
ZNU	ALUMINUM ALLOY BLACK ZINC-NICKEL OVER ELECTROLESS NICKEL (ROHS)
Z1	STAINLESS STEEL PASSIVATE (ROHS)

CONTACT GLENAIR FOR ADDITIONAL FINISHES



FACE VIEW OF PLUG  
AS VIEWED FROM ENGAGING END  
(10-13PAL SHOWN)



NOTES: UNLESS OTHERWISE SPECIFIED

- ASSEMBLY TO BE IDENTIFIED WITH GLENAIR'S NAME, PART NUMBER, AND DATE CODE, SPACE PERMITTING.
- MATERIAL / FINISH:  
PLUG BARREL, COUPLING NUT, HOUSING, COVER - ALUMINUM ALLOY OR STAINLESS STEEL / SEE TABLE I  
INSULATOR - LCP / NONE.  
INTERFACIAL SEAL, GASKET - FLUOROSILICONE / NONE  
CONTACT - COPPER ALLOY / GOLD PLATE PER ASTM B 488, TYPE II, CODE C, CLASS 1.25 (.00005 MIN THK), OVER A SUITABLE UNDERPLATE  
CONTACT RETENTION CLIP - BERYLLIUM COPPER ALLOY / NONE  
HARDWARE - STAINLESS STEEL / PASSIVATE OR BLACK OXIDE  
RETAINING WIRE - TORLON / NONE  
DETENT SPRING, RIVET - STAINLESS STEEL / PASSIVATE  
EMI GROUND SPRING - BERYLLIUM COPPER / ELECTROLESS NICKEL  
CONTACTS ARE SIZE 23.
- CONTACTS ARE SIZE 23.
- CONSULT FACTORY FOR ADDITIONAL CONTACT ARRANGEMENTS AND/OR SHELL ORIENTATIONS.
- CRIMP BARREL ACCOMMODATES 22, 24, 26, AND 28 GAGE WIRE.
- CRIMP TOOL DATA:  
A. HAND CRIMP TOOL: GLENAIR PART NO. 809-015.  
B. POSITIONER FOR HAND TOOL: GLENAIR PART NO. 809-005.  
C. INSERTION/EXTRACTION TOOL: GLENAIR PART NO. 809-088.
- CONTACT ARRANGEMENT, CONTACT GENDER, KEY POSITIONS, AND SHELL ORIENTATION SHOWN ARE FOR REFERENCE ONLY.
- THIS CONNECTOR MATES WITH ALL QUICK COUPLING, HIGH DENSITY RECEPTACLE CONNECTORS WITH SAME POLARIZATION AND OPPOSITE CONTACT GENDER (805-003 THROUGH 805-006 AND 805-017).
- REAR INSULATOR GROMMET NOT SUPPLIED.

UNLESS OTHERWISE SPECIFIED	DRAWN	07/19/12	EAG
CHECK ENGR	GSB	07/19/12	EAG
DIMENSIONS ARE IN INCHES			
TOLERANCES			
FRACTIONS	± 1/16		
DECIMALS	.XX ± .03		
	.XXX ± .015		
ANGLES	± 2°		
DO NOT SCALE THIS DRAWING	DATE	07/18/12	APPROVED
B/F 11C8797P/C	SCALE	N.A.	1 OF 2
TITLE		GLENAIR, INC.	
CODE IDENT. NO.		1211 AIR WAY - GLENDALE - CALIFORNIA 91201	
REV.		PLUG CONNECTOR,	
REV.		SERIES 805 STYLE	
REV.		RATCHETING COBRA	
REV.		06324 A 805-061	

THIS COPYRIGHTED DOCUMENT IS THE PROPERTY OF GLENNAIR, INC. AND IS FURNISHED ON THE CONDITION THAT IT IS NOT TO BE DISCLOSED, REPRODUCED IN WHOLE OR IN PART, OR USED TO SOLICIT QUOTATIONS FROM COMPETITIVE SOURCES, OR USED FOR MANUFACTURE BY ANYONE OTHER THAN GLENNAIR, INC. WITHOUT WRITTEN PERMISSION FROM GLENNAIR, INC. THE INFORMATION HEREIN HAS BEEN DEVELOPED AT GLENNAIR'S EXPENSE AND MAY BE USED FOR ENGINEERING EVALUATION AND INCORPORATION INTO TECHNICAL SPECIFICATIONS AND OTHER DOCUMENTS WHICH SPECIFY PROCUREMENT OF PRODUCTS FROM GLENNAIR, INC.

REVISION HISTORY  
SEE SHEET 1 OF 2

TABLE II - DIMENSIONAL DATA

SHELL SIZE	ØA	B THREAD	D	E	F	G	H	J	MAX ENTRY
8	.65 [15.7]	.5000-.1P-.3L-TS-2B	1.02 [25.9]	.34 [8.6]	1.24 [31.5]	1.76 [44.7]	1.62 [41.1]	.560 [14.22]	04
9	.79 [20.1]	.5625-.1P-.3L-TS-2B	1.03 [26.2]	.39 [9.9]	1.28 [32.5]	1.77 [45.0]	1.63 [41.4]	.650 [16.51]	05
10	.83 [21.1]	.6250-.1P-.3L-TS-2B	1.05 [26.7]	.42 [10.7]	1.31 [33.3]	1.79 [45.5]	1.65 [41.9]	.710 [18.03]	06
11	.92 [23.4]	.6875-.1P-.3L-TS-2B	1.08 [27.4]	.45 [11.4]	1.34 [34.0]	1.82 [46.2]	1.68 [42.7]	.770 [19.56]	07
12	.98 [24.9]	.7500-.1P-.3L-TS-2B	1.11 [28.2]	.48 [12.2]	1.37 [34.8]	1.85 [47.0]	1.71 [43.4]	.835 [21.21]	08
13	1.05 [26.7]	.8125-.1P-.3L-TS-2B	T.B.D.	T.B.D.	T.B.D.	T.B.D.	T.B.D.	T.B.D.	09
15	1.10 [27.9]	.9375-.1P-.3L-TS-2B	1.17 [29.7]	.52 [13.2]	1.48 [37.6]	1.91 [48.5]	1.77 [45.0]	.950 [24.13]	10
18	1.29 [32.8]	1.1250-.1P-.3L-TS-2B	T.B.D.	T.B.D.	T.B.D.	T.B.D.	T.B.D.	T.B.D.	12
19	1.31 [33.3]	1.1875-.1P-.3L-TS-2B	1.32 [33.5]	.63 [16.0]	1.78 [45.2]	2.06 [52.3]	1.92 [48.8]	1.180 [29.97]	13
21	1.45 [36.8]	1.3125-.1P-.3L-TS-2B	T.B.D.	T.B.D.	T.B.D.	T.B.D.	T.B.D.	T.B.D.	15
23	1.56 [39.6]	1.4375-.1P-.3L-TS-2B	T.B.D.	T.B.D.	T.B.D.	T.B.D.	T.B.D.	T.B.D.	17

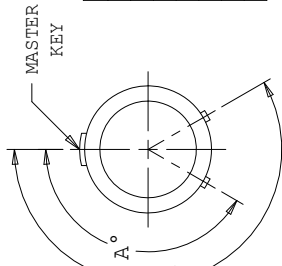


TABLE III - KEY POSITION

POSITION	A°	B°
A (NORMAL)	150°	210°
B	75°	210°
C	95°	230°
D	140°	275°
E	75°	275°
F	95°	210°

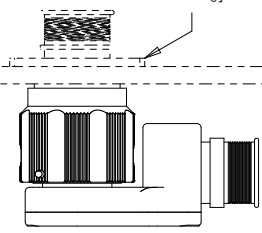


TABLE IV - EXIT DIRECTION

DIRECTION	C°
1	0°
2	45°
3	90°
4	135°
5	180°
6	225°
7	270°
8	315°

KEY POSITION  
(POSITION A SHOWN)

SHOWN INSTALLED

PART NUMBER DEVELOPMENT

EXAMPLE: 805-061 -16 ZNU 9-10 P A 1 05

CONNECTOR SERIES

SHELL STYLE  
-16 = PLUG CONNECTOR WITH RATCHETING ANTI-DECOUPLING MECHANISM

CLASS (SEE TABLE I)

SHELL SIZE - CONTACT ARRANGEMENT  
(SEE TABLE V)

CONTACT STYLE

- A = PIN, SOLDER
- B = SOCKET, SOLDER
- P = PIN, CRIMP
- S = SOCKET, CRIMP

KEY POSITION  
A THROUGH F (SEE TABLE III)

CABLE EXIT DIRECTION  
1 THROUGH 8 (SEE TABLE IV)

CABLE ENTRY SIZE (SEE TABLE VI)

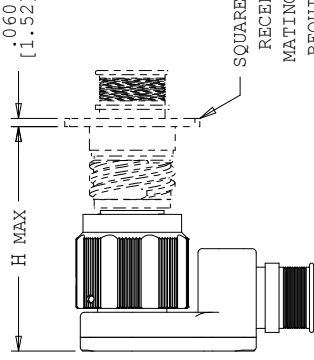
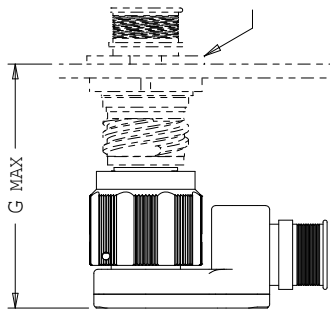
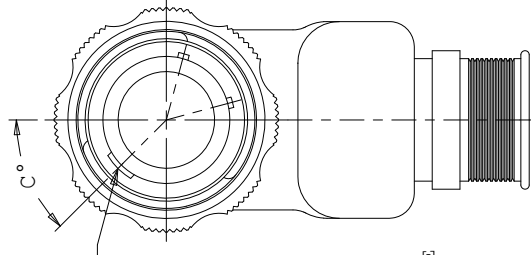


TABLE V - AVAILABLE ARRANGEMENTS

SHELL SIZE	CONTACT ARRANGEMENT*
8	8-4, 8-6, 8-7
9	9-10
10	10-13
11	11-19
12	12-26
13	13-31
15	15-37
18	18-55
19	19-85
21	21-100
23	23-130

\*: # FOLLOWING DASH = # OF CONTACTS

CABLE EXIT DIRECTION

(DIRECTION 2 SHOWN)

UNLESS OTHERWISE SPECIFIED		DRAWN	EAG	07/19/12
DIMENSIONS ARE IN INCHES		CHECK	GSB	07/19/12
TOLERANCES		ENGR	EAG	07/19/12
FRACTIONS ± 1/16		TITLE		
DECIMALS .XX ± .03		GLENNAIR, INC.		
ANGLES ± 2°		1211 AIR WAY - GLENDALE - CALIFORNIA 91201		
DO NOT SCALE THIS DRAWING		PLUG CONNECTOR,		
RELEASE DATE		SERIES 805 STYLE		
RELEASE DATE		RATCHETING COBRA		
B/F 11C8797/P/C 80		CODE IDENT. NO. / SIZE DRAWING NO.		
SCALE N.A.		06324 A		
WEIGHT N.A.		805-061		
SHEET 2 OF 2		REV. B		