

7/16 Connector

7-16(L29) connectors are very robust, extremely stable coaxial connectors, which are characterized by high degree of protection, weatherproofness and well intermodulation. They are suitable for medium to high power transmission in "outdoor" applications like mobile transmitting stations.

◆ Features

Interface and quality tested according to IEC 60169-4.

Frequency range up to 6GHz.

VSWR(straight connector): ≤ 1.2 typ.

Screw lock coupling system

High degree of protection, waterproof

Low attenuation and intermodulation

◆ Applications

Cable connectors (straight and right angle) for flexible, semi-flex and semi-rigid cables

Panel connectors

Wideband power splitters

Terminations

Adaptors

Specifications

Electrical Characteristics

Impedance	50 Ω
Frequency range	0~6GHz
VSWR	≤ 1.20 typ
Insulation resistance	$\geq 1000M\Omega$
Center contact resistance	$\leq 1.5m\Omega$
Outer contact resistance	$\leq 0.4m\Omega$
Withstand voltage	4000 V rms
Working voltage	2700V
RF-leakage(dB)	$\geq 128dB@1GHz$

Mechanical Characteristics

Coupling torque	25Nm~30Nm
Coupling nut retention	$\geq 800N$
Center contact captivation	200N
Center contact retention force	$\geq 6N$
Mating cycles	≥ 500



Specialized manufacturer of RF connector & cable assemblies

TEL:+86-519-88795138 FAX:+86-519-88522108 www.xinsheng-elec.com Sales@xinsheng-elec.com

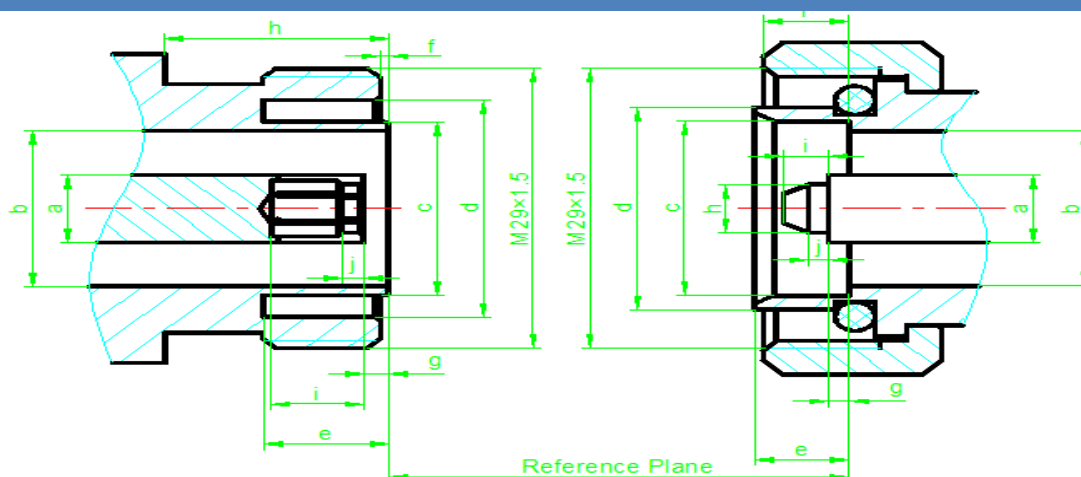
Environmental Data

Temperature range	-55°C~+155°C
Moisture resistance	IEC 61169-1,Subclause9.4.3
Rapid change of temperature	IEC 61169-1,Subclause9.4.4
Vibration	IEC 61169-1,Subclause9.3.3
Shock	IEC 61169-1,Subclause9.3.14
Corrosion resistance	IEC 61169-1,Subclause9.4.6

Materials

Body	CuZn/ Ni/CuZnSn plating
Outer contact	CuZn/ Ni/CuZnSn plating
Center contact	CuZn/CuBe/ Ag plating
Insulator	PTFE

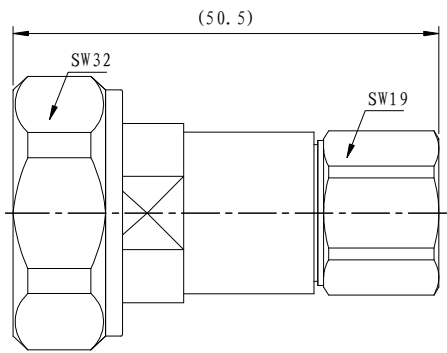
Interface Dimensions



7-16 (L29)(50hm) Series				
Code	Male (Plug)		Female (Jack)	
	Min	Max	Min	Max
A	7 nom		7 nom	
B	15.85	16.25	15.85	16.25
C	17.84	18.02	18.03	18.21
D	22.1	22.9	20.6	21.4
E	8.1	-	7	8
F	0.5	0.7	7	9
G	1.77	2.07	1.47	1.77
H	10	-	4.96	5.04
I	5	-	-	4.5
J	1.2	-	1.4	1.6

1) Resilient, dim. to meet electrical and mechanical requirements.

Cable Connectors



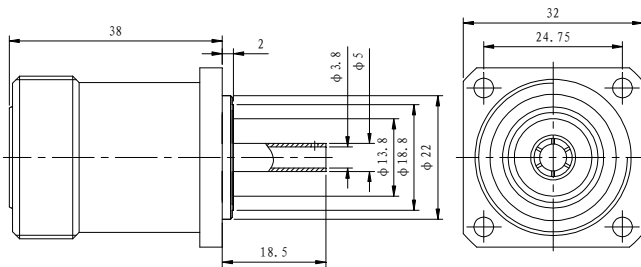
7/16-J1/2BZ-1

Part No: 5060247

Inner conductor Brass(Silver plating)
 Outer conductor Brass(Ternary alloy plating)
 Insulator PTFE

Micro strip Connector

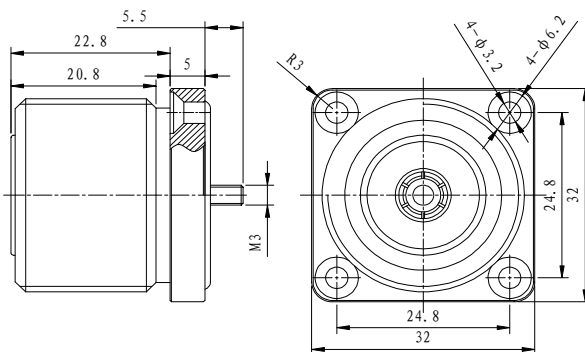
7/16-KFD-18.5



Part No: 5060408

Inner conductor Phosphor copper(Silver plating)
 Outer conductor Brass(Ternary alloy plating)
 Insulator PTFE

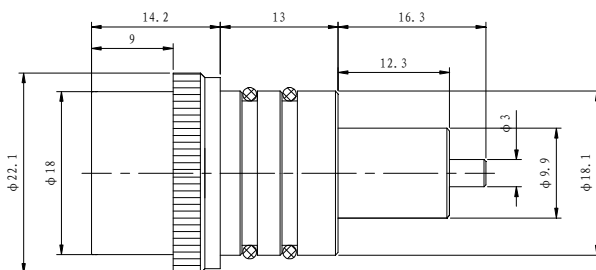
7/16-KFD-5.5



Part No: 5060467

Inner conductor Phosphor copper(Silver plating)
 Outer conductor Brass(Ternary alloy plating)
 Insulator PTFE

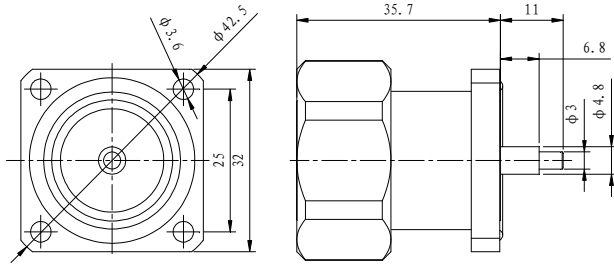
7/16-KFD-16.3-12.3



Part No: 5060479

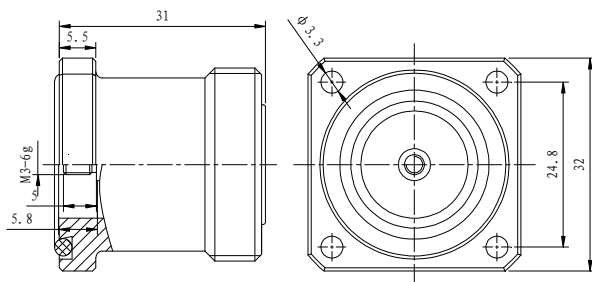
Inner conductor Phosphor copper(Silver plating)
 Outer conductor Brass(Ternary alloy plating)
 Insulator PTFE

7/16-JFD-11



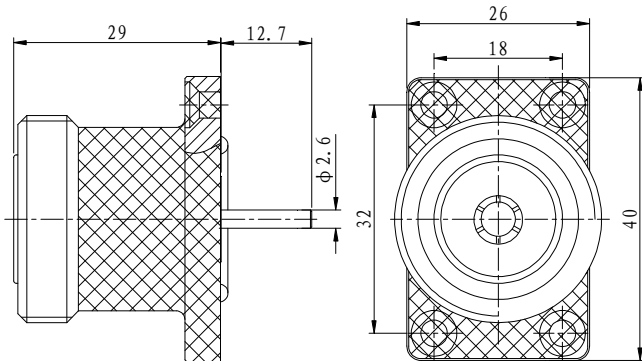
Part No: 5060372
Inner conductor Phosphor copper(Silver plating)
Outer conductor Brass(Ternary alloy plating)
Insulator PTFE

7/16-KFD52



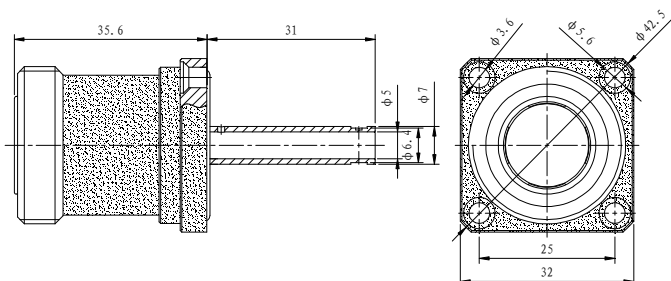
Part No: 5060147
Inner conductor Phosphor copper(Silver plating)
Outer conductor Brass(Ternary alloy plating)
Insulator PTFE

7/16-KFD-12.7

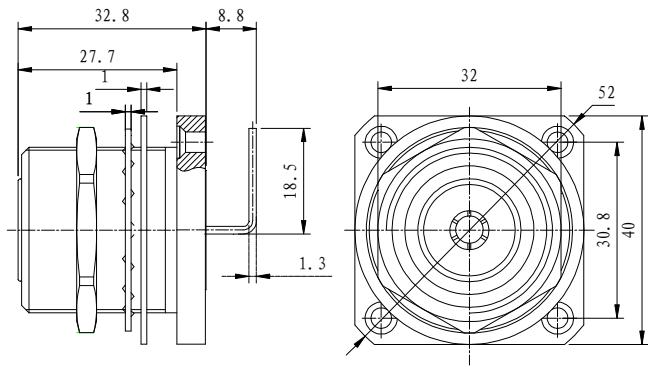


Part No: 5060260
Inner conductor Phosphor copper(Silver plating)
Outer conductor Brass(Ternary alloy plating)
Insulator PTFE

7/16-KFD-31



Part No: 5060454
Inner conductor Phosphor copper(Silver plating)
Outer conductor Brass(Ternary alloy plating)
Insulator PTFE



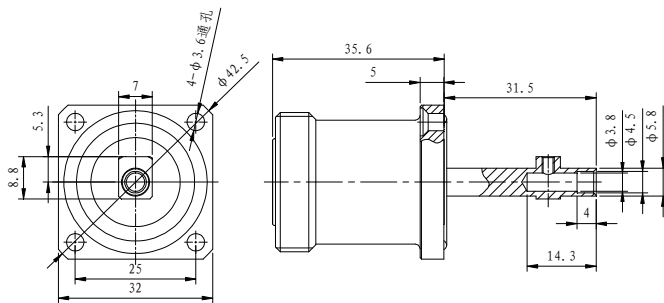
7/16-KFD-8.8-18.5

Part No: 5060403

Inner conductor Phosphor copper(Silver plating)

Outer conductor Brass(Ternary alloy plating)

Insulator PTFE



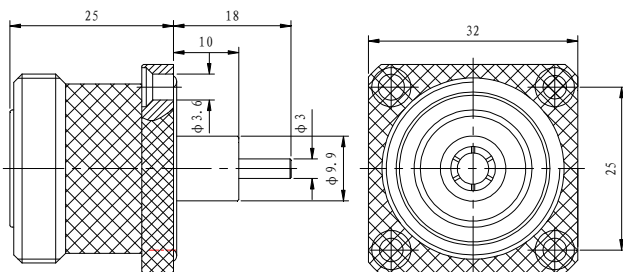
7/16-KFD-31.5

Part No: 5060462

Inner conductor Phosphor copper(Silver plating)

Outer conductor Brass(Ternary alloy plating)

Insulator PTFE



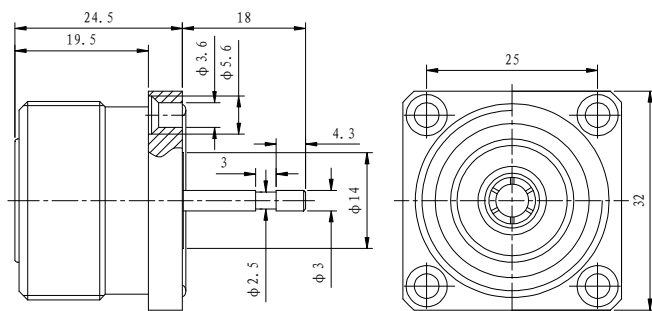
7/16-KFD-18-10

Part No: 5060332

Inner conductor Phosphor copper(Silver plating)

Outer conductor Brass(Ternary alloy plating)

Insulator PTFE



7/16-KFD-18(2)

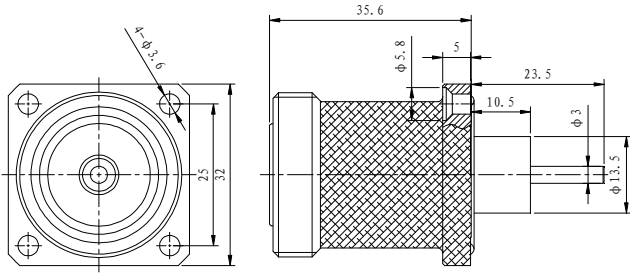
Part No: 5060463

Inner conductor Phosphor copper(Silver plating)

Outer conductor Brass(Ternary alloy plating)

Insulator PTFE

7/16-KFD-23.5-10.5



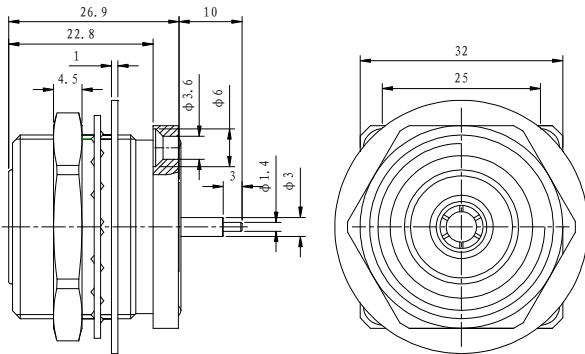
Part No: 5060461

Inner conductor Phosphor copper(Silver plating)

Outer conductor Brass(Ternary alloy plating)

Insulator PTFE

7/16-KFD-10



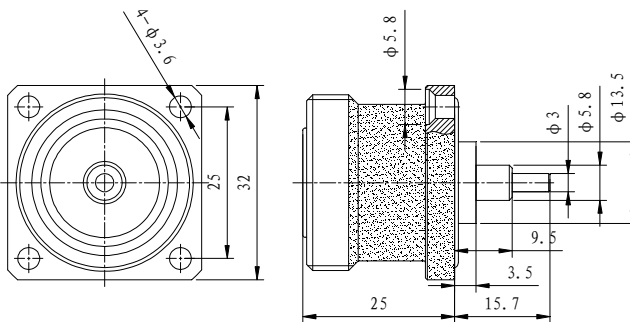
Part No: 5060340

Inner conductor Phosphor copper(Silver plating)

Outer conductor Brass(Ternary alloy plating)

Insulator PTFE

7/16-KFD-15.7-3.5-03



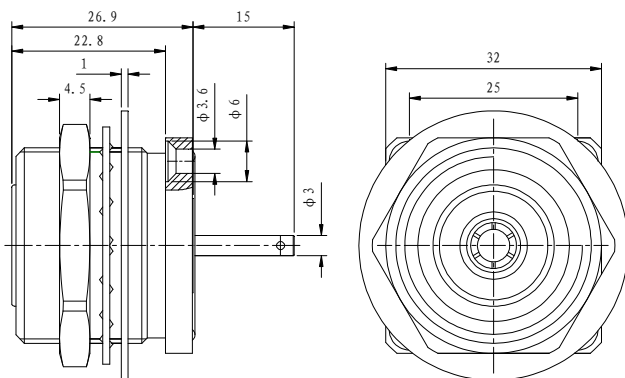
Part No: 5060413

Inner conductor Phosphor copper(Silver plating)

Outer conductor Brass(Ternary alloy plating)

Insulator PTFE

7/16-KFD-15

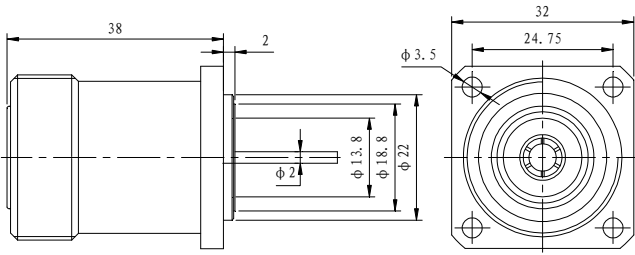


Part No: 5060341

Inner conductor Phosphor copper(Silver plating)

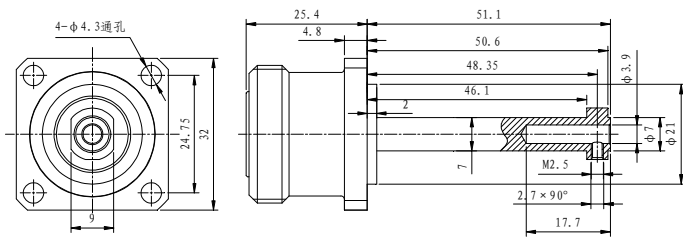
Outer conductor Brass(Ternary alloy plating)

Insulator PTFE



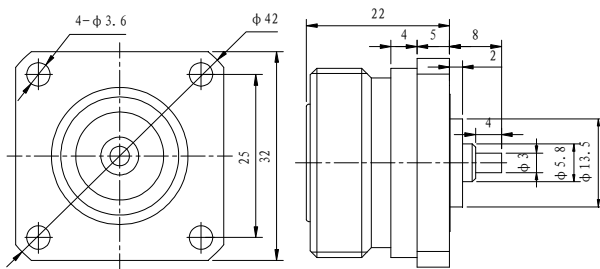
7/16-KFD-20(1)

Part No: 5060407
 Inner conductor Phosphor copper(Silver plating)
 Outer conductor Brass(Ternary alloy plating)
 Insulator PTFE



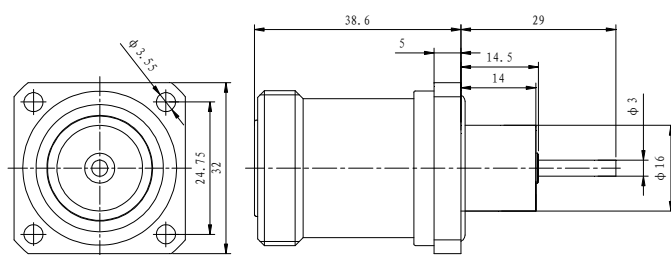
7/16-KFD-51.1

Part No: 5060134
 Inner conductor Phosphor copper(Silver plating)
 Outer conductor Brass(Ternary alloy plating)
 Insulator PTFE



7/16-KFD-8-2

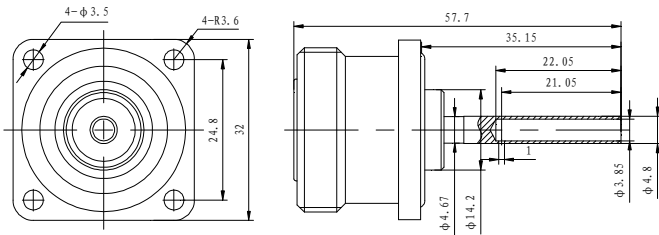
Part No: 5060089
 Inner conductor Phosphor copper(Silver plating)
 Outer conductor Brass(Ternary alloy plating)
 Insulator PTFE



7/16-KFD-29-14.5

Part No: 5060339
 Inner conductor Phosphor copper(Silver plating)
 Outer conductor Brass(Ternary alloy plating)
 Insulator PTFE

7/16-KFD-31.2



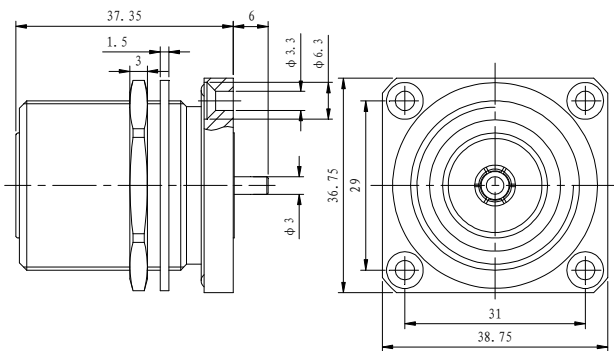
Part No: 5060389

Inner conductor Phosphor copper(Silver plating)

Outer conductor Brass(Ternary alloy plating)

Insulator PTFE

7/16-KFD-6



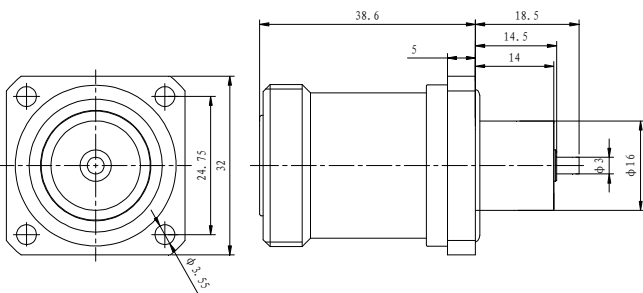
Part No: 5060381

Inner conductor Phosphor copper(Silver plating)

Outer conductor Brass(Ternary alloy plating)

Insulator PTFE

7/16-44KFD-29-14.5



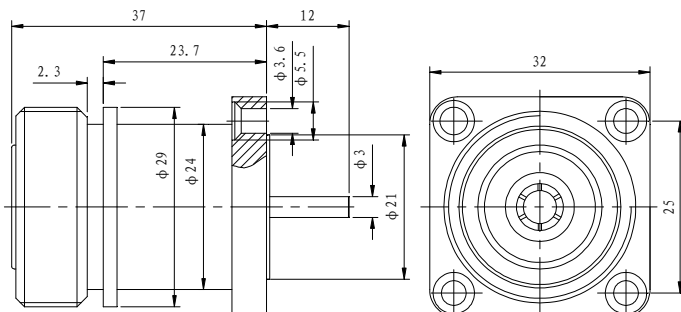
Part No: 5060349

Inner conductor Phosphor copper(Silver plating)

Outer conductor Brass(Ternary alloy plating)

Insulator PTFE

7/16-KFD-12

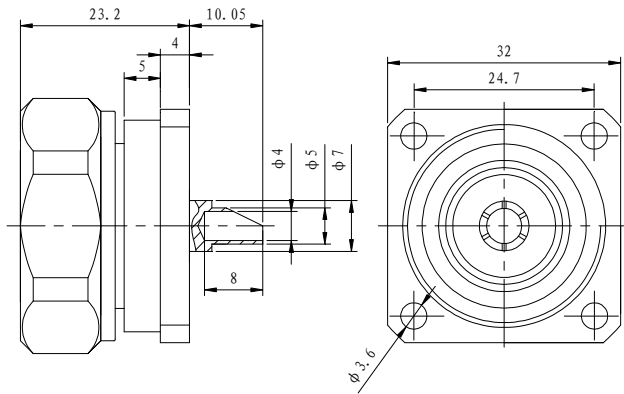


Part No: 5060457

Inner conductor Phosphor copper(Silver plating)

Outer conductor Brass(Ternary alloy plating)

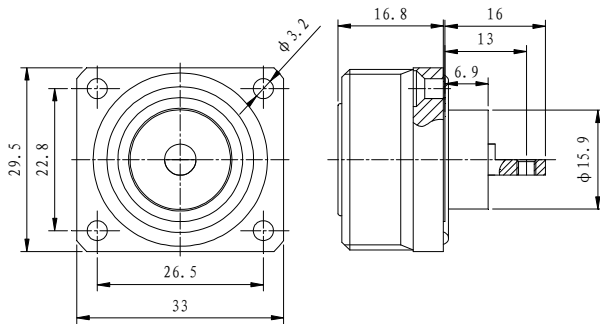
Insulator PTFE



7/16-JFD-10

Part No: 5060361

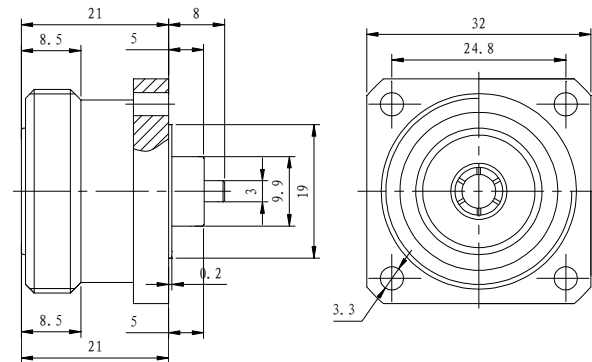
Inner conductor Brass(Silver plating)
 Outer conductor Brass(Ternary alloy plating)
 Insulator PTFE



7/16-KFD-16-7

Part No: 5060254

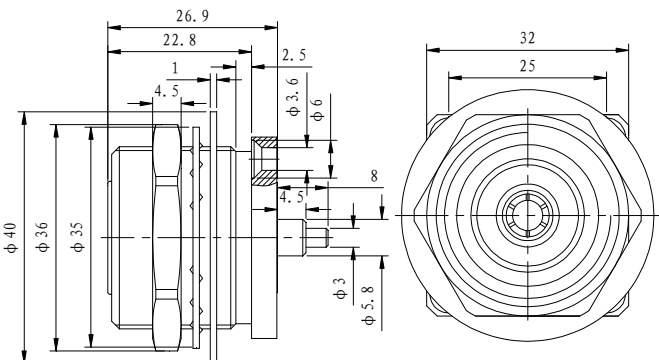
Inner conductor Phosphor copper(Silver plating)
 Outer conductor Brass(Ternary alloy plating)
 Insulator PTFE



7/16-KFD-8-5(1)

Part No: 5060314

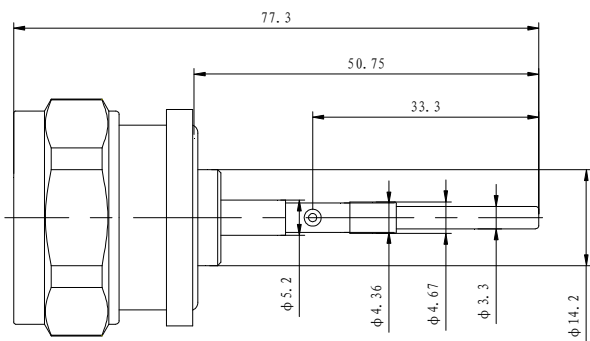
Inner conductor Phosphor copper(Silver plating)
 Outer conductor Brass(Ternary alloy plating)
 Insulator PTFE



7/16-KFD-8

Part No: 5060493

Inner conductor Phosphor copper(Silver plating)
 Outer conductor Brass(Ternary alloy plating)
 Insulator PTFE



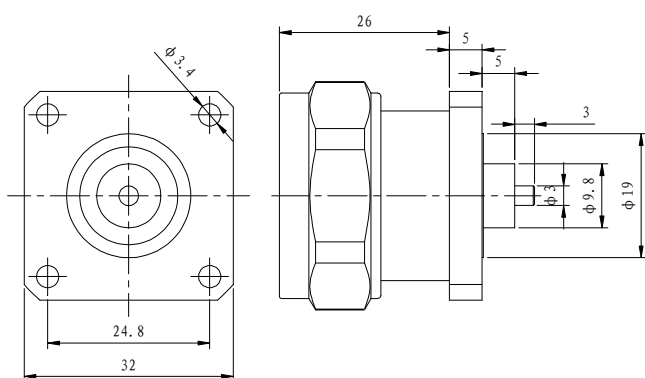
7/16-JFD-46.8

Part No: 5060390

Inner conductor Brass(Silver plating)

Outer conductor Brass(Ternary alloy plating)

Insulator PTFE



7/16-JFD-8-5

Part No: 5060315

Inner conductor Brass(Silver plating)

Outer conductor Brass(Ternary alloy plating)

Insulator PTFE

Note:The CAD drawings above are for reference only, We can supply customized cost -deduction solutions.